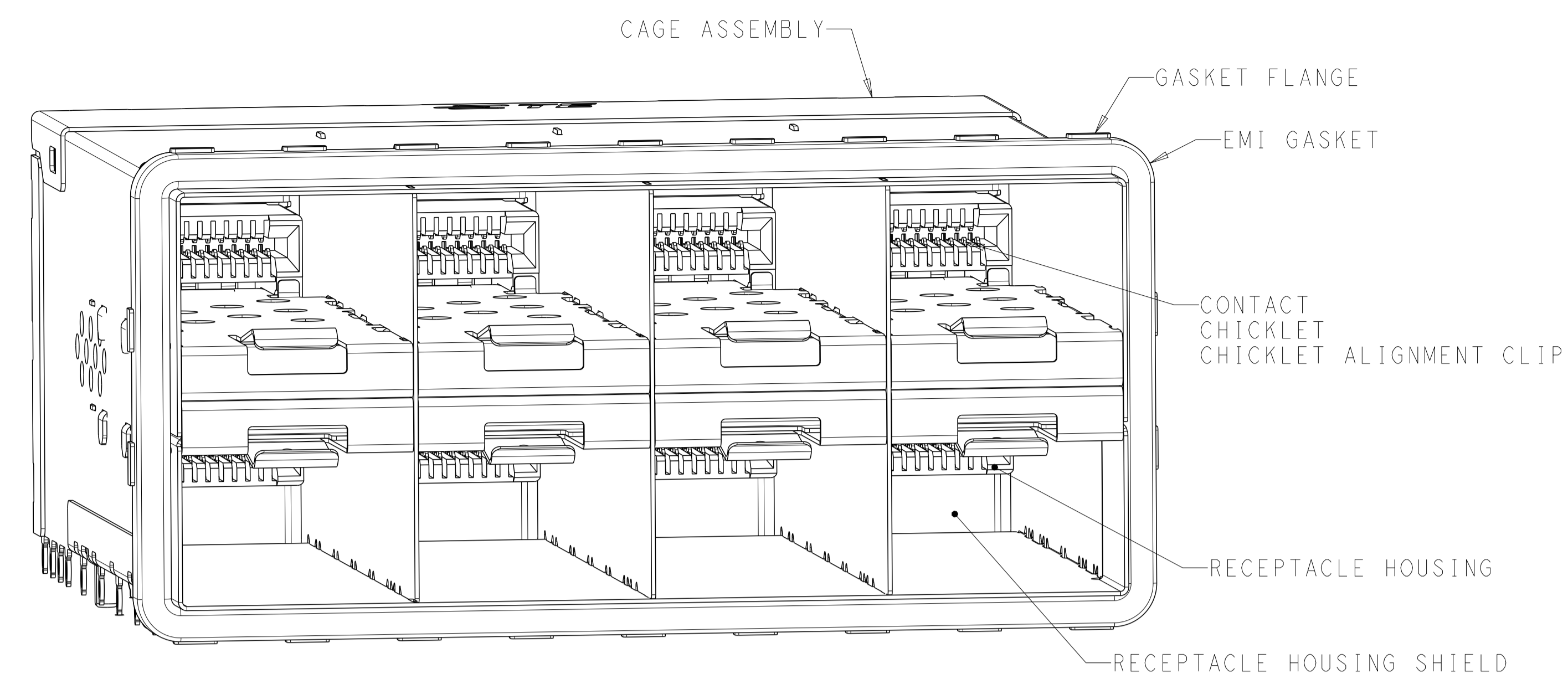
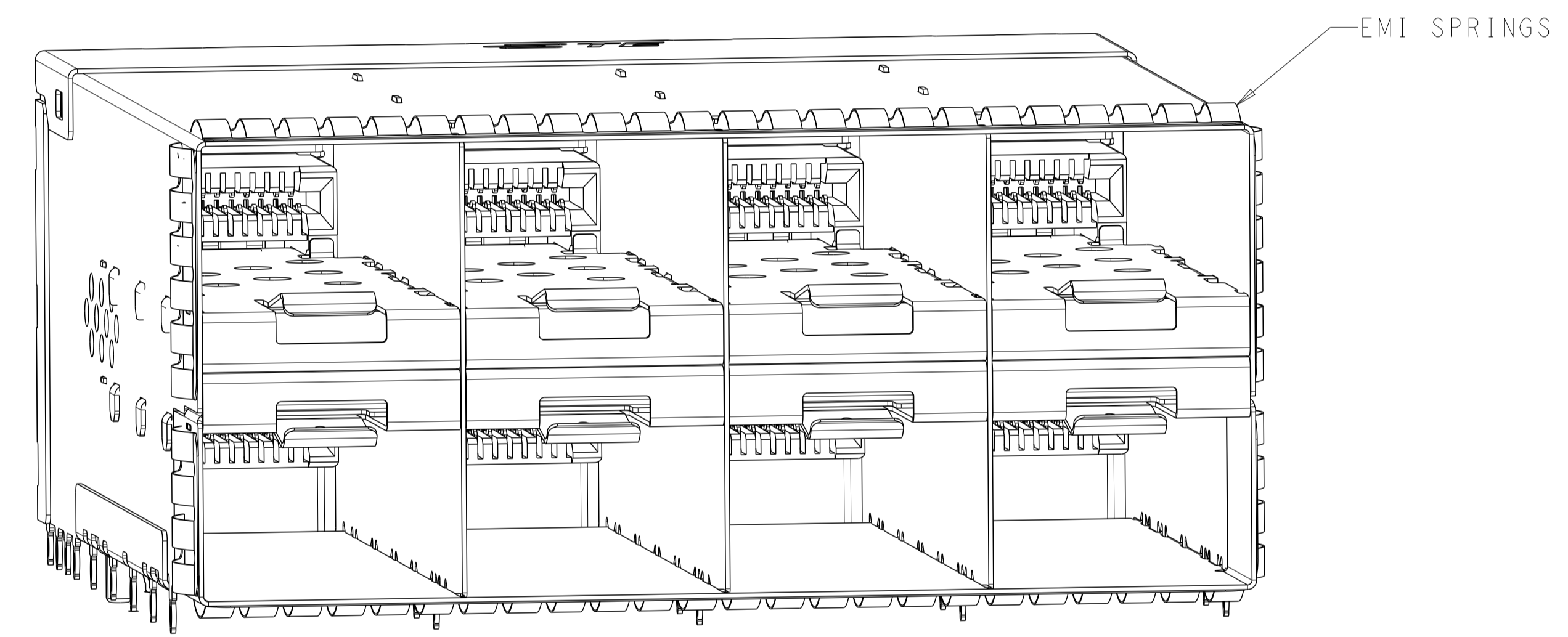


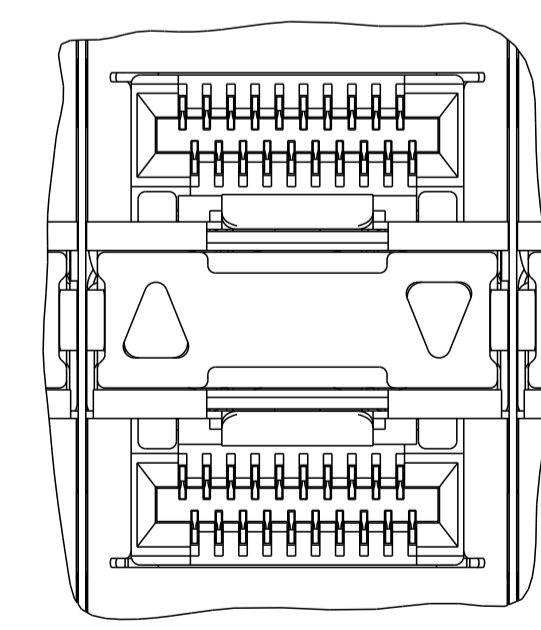
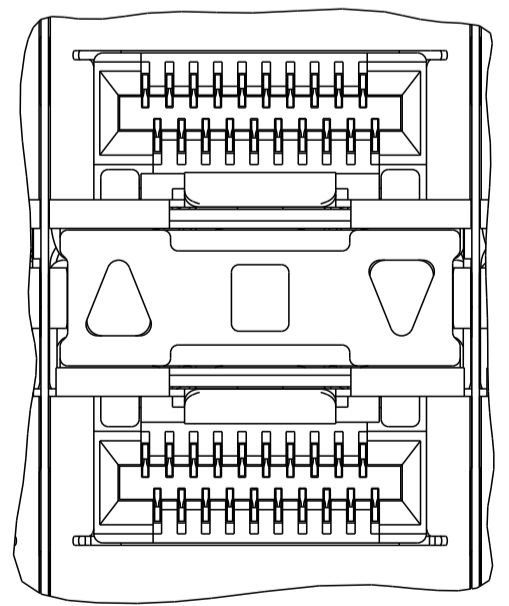
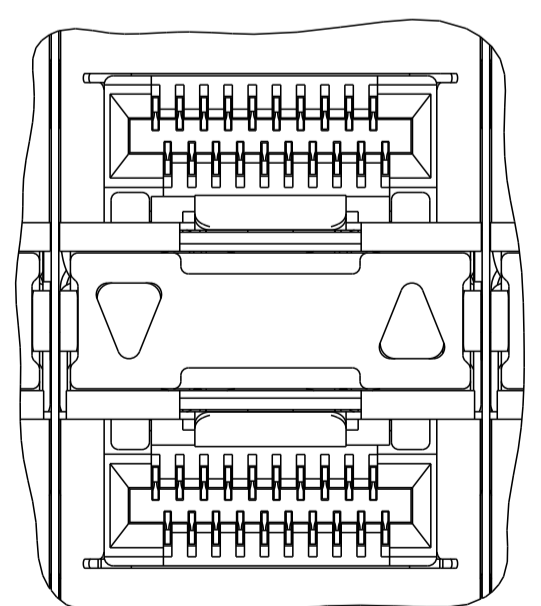
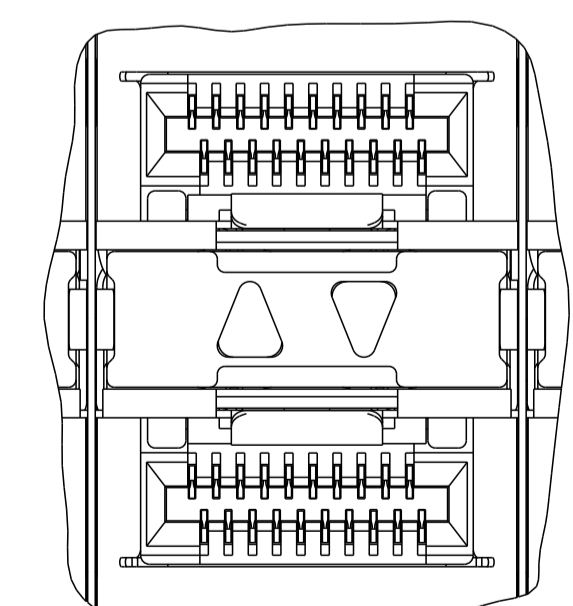
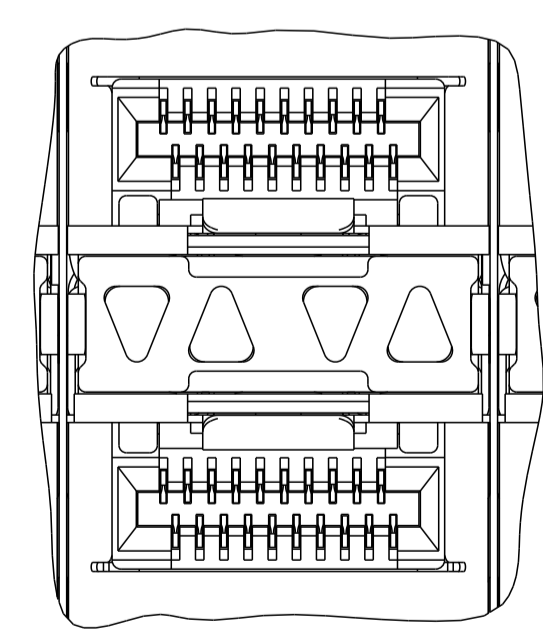
LOC		DIST		REVISIONS			
GP	00	P	LTN	DESCRIPTION	DATE	DWN	APVD
		E1		3-4 PN ADDED	06JUN2024	KH	SZ



2180324-1
SCALE 4:1



2180324-5
SCALE 4:1



INNER/OUTER LIGHT PIPES
2180324-2, 2180324-6
SCALE 4:1

INNER LIGHT PIPES
2180324-3, 2180324-7
SCALE 4:1

OUTER LIGHT PIPES
2180324-4, 2180324-8
SCALE 4:1

CENTER/REVERSED OUTER
1-2180324-7, 1-2180324-9
SCALE 4:1

REVERSED OUTER LIGHT PIPES
1-2180324-8, 2-2180324-0
SCALE 4:1

- MATERIALS:
 CAGE ASSEMBLY - NICKEL-SILVER ALLOY PER ASTM B 122
 CONNECTOR HOUSING - LCP, BLACK, UL 94V-0 RATED
 CONNECTOR HOUSING SHIELD - COPPER ALLOY
 CHICKLET - LCP, BLACK, UL 94V-0 RATED
 CHICKLET ALIGNMENT CLIP - PBT
 CONTACT - COPPER ALLOY
 EMI GASKET - ELASTOMERIC
 GASKET FLANGE - STAINLESS STEEL
 EMI SPRINGS - PHOSPHOR BRONZE PER ASTM B 103,
 0.8µm MIN TIN PER ASTM B 545
 LIGHT PIPE - POLYCARBONATE
 LIGHT PIPE HOUSING - ZINC ALLOY
 INSULATOR TAPE:KAPTON
 - CONTACT FINISH:
 CONFORMS TO THE REQUIREMENTS OF PRODUCT SPECIFICATION 108-2481,
 BASED ON EIA/ECA-364-1000.01A, (CONTROLLED ENVIRONMENT
 APPLICATIONS) ON MATING INTERFACE, TIN ON NEEDLE EYE
 - PCB MINIMUM THICKNESS = 1.5mm
- ⚠️ FOR HOLE SIZE AND PLATINGS,
SEE APPLICATION SPECIFICATION 114-13319
 - ⚠️ LIGHT PIPE PAD LAYOUT IS FOR 0805 LOW PROFILE
LED PACKAGE WITH A HEIGHT OF 0.8mm
 - ⚠️ DIMENSIONS APPLY FOR EMI SPRINGS ONLY
 - ⚠️ THE ENTIRE AREA OF THE CONNECTOR FOOTPRINT, INDICATED BY THE
DASHED LINE, TO BE CONSIDERED THE KEEPOUT AREA FOR COMPONENTS
AND SIGNAL TRACES, TOP SIDE ONLY, TOP SIDE TRACES ALLOWED
WITHIN CONNECTOR HOLE PATTERN
 - ⚠️ NICKEL PLATING ON CAGE

59.5	EMI SPRING AIRFLOW ENHANCE TYPE	NONE	3-2180324-4
59.5	EMI SPRING AIRFLOW ENHANCE TYPE	OUTER	3-2180324-3
59.5	EMI SPRING AIRFLOW ENHANCE TYPE	CENTER/REVERSED OUTER	3-2180324-2
59.5	EMI SPRING AIRFLOW ENHANCE TYPE	NONE	3-2180324-1
62.25	EMI GASKET AIRFLOW ENHANCE TYPE	NONE	3-2180324-0
59.5	EMI SPRINGS	REVERSED OUTER	2-2180324-0
		CENTER/REVERSED OUTER	1-2180324-9
62.25	EMI GASKET	REVERSED OUTER	1-2180324-8
		CENTER/REVERSED OUTER	1-2180324-7
59.5	EMI SPRINGS	OUTER	2180324-8
		INNER	2180324-7
		INNER/OUTER	2180324-6
		NONE	2180324-5
62.25	EMI GASKET	OUTER	2180324-4
		INNER	2180324-3
		INNER/OUTER	2180324-2
		NONE	2180324-1
(E)	CAGE TYPE	LIGHT PIPE CONFIGURATION	PART NUMBER

THIS DRAWING IS A CONTROLLED DOCUMENT.

OWN: M. E. CONNER 14SEP2011
 CHG: M. D. MORRISON 16SEP2011
 APVD: M. D. MORRISON 25OCT2011

NAME: RECEPTACLE ASSEMBLY, 2X4, STACKED, 2SFP+

PRODUCT SPEC: 108-2481
 APPLICATION SPEC: 114-13319

SIZE: A1 CAGE CODE: 00779 DRAWING NO: 2180324
 WEIGHT: -
 CUSTOMER DRAWING

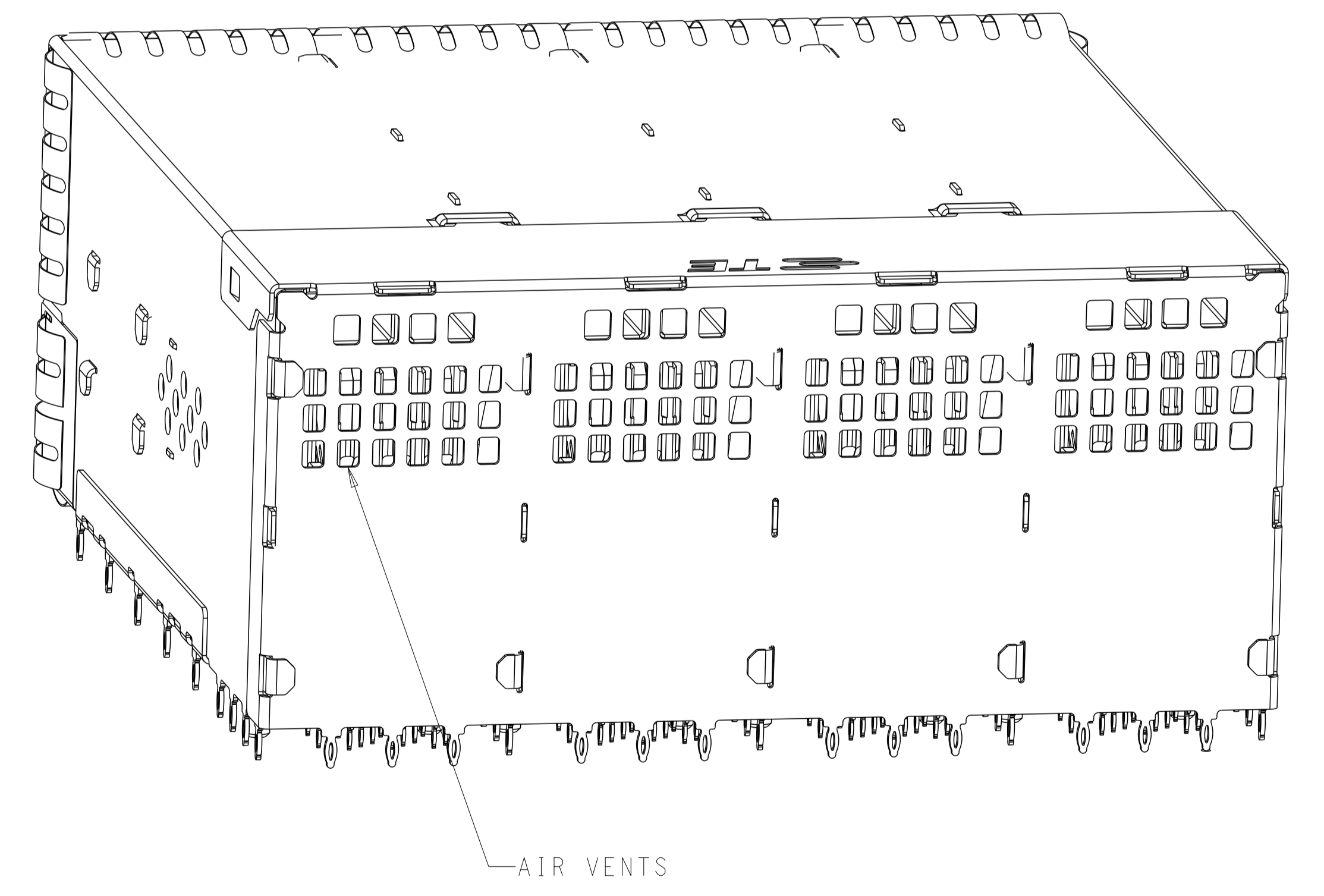
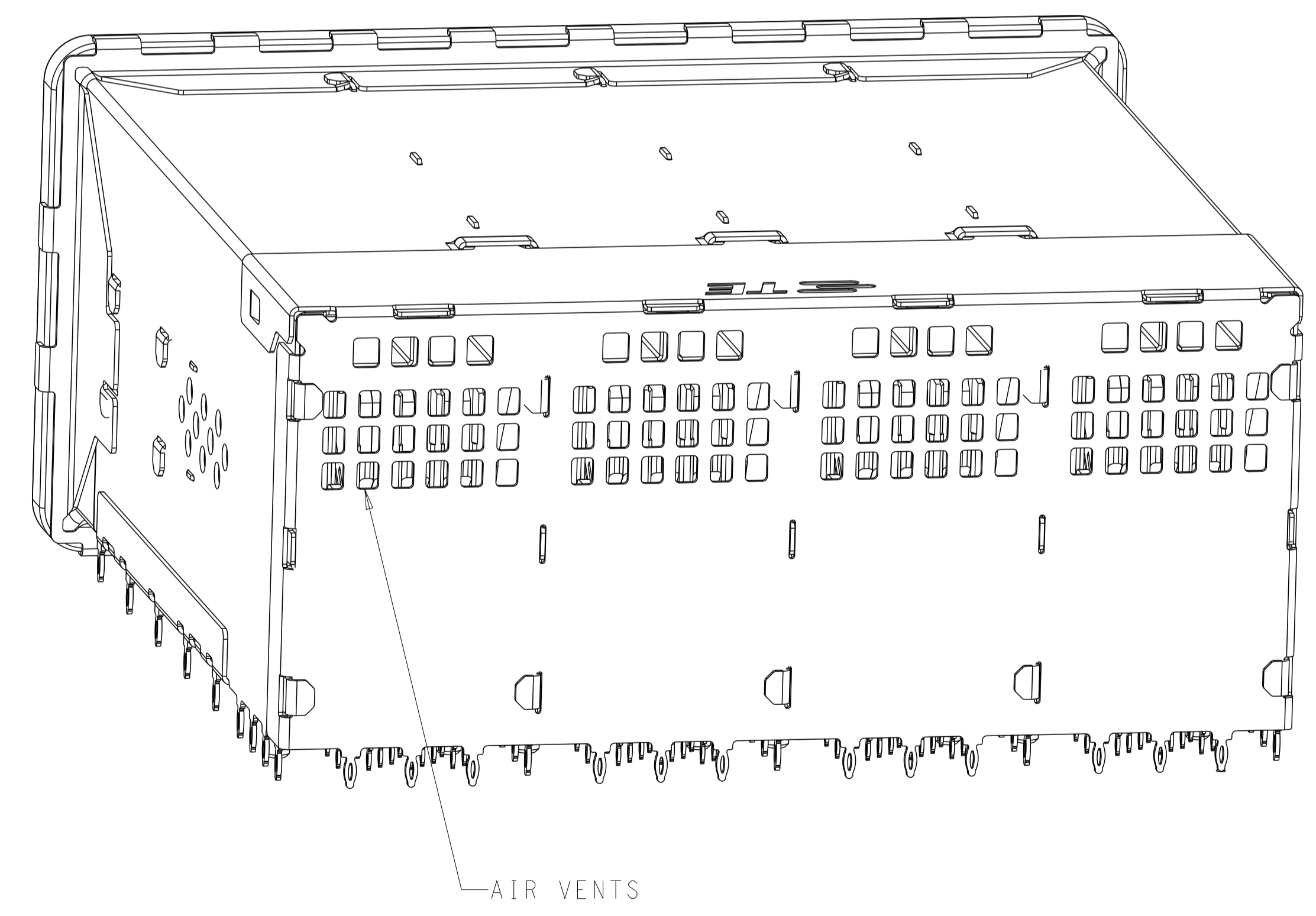
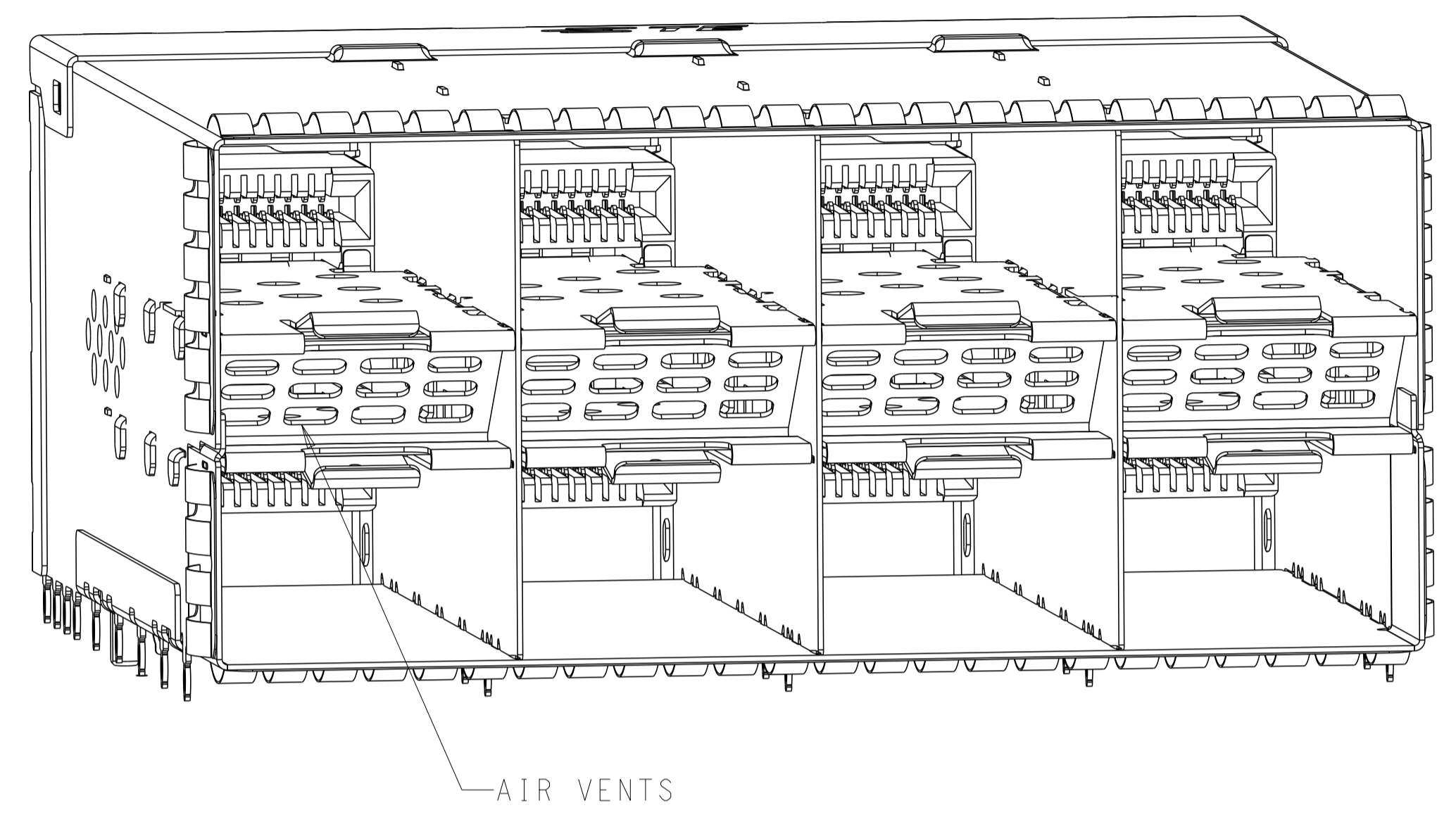
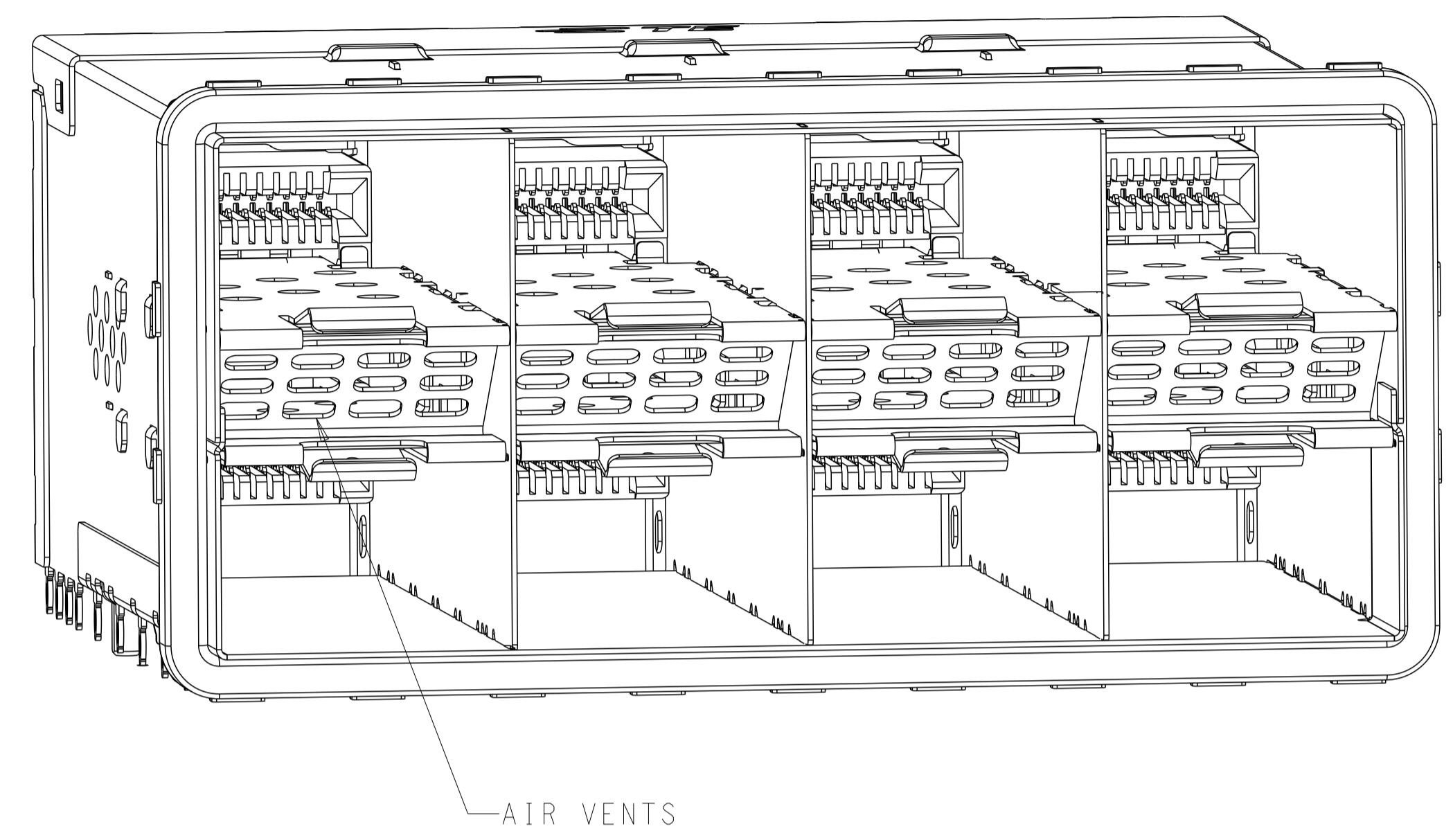
SCALE: 4:1 SHEET 1 OF 8 REV: E1

TE Connectivity

THIS DRAWING IS UNPUBLISHED. RELEASED FOR PUBLICATION 20
 © COPYRIGHT 20 BY - ALL RIGHTS RESERVED.

LOC		DIST		REVISIONS			
P	LTN	DATE	DMN	APVD			
-	SEE SHEET 1	-	-	-			

AIRFLOW ENHANCE W/O LP TYPE



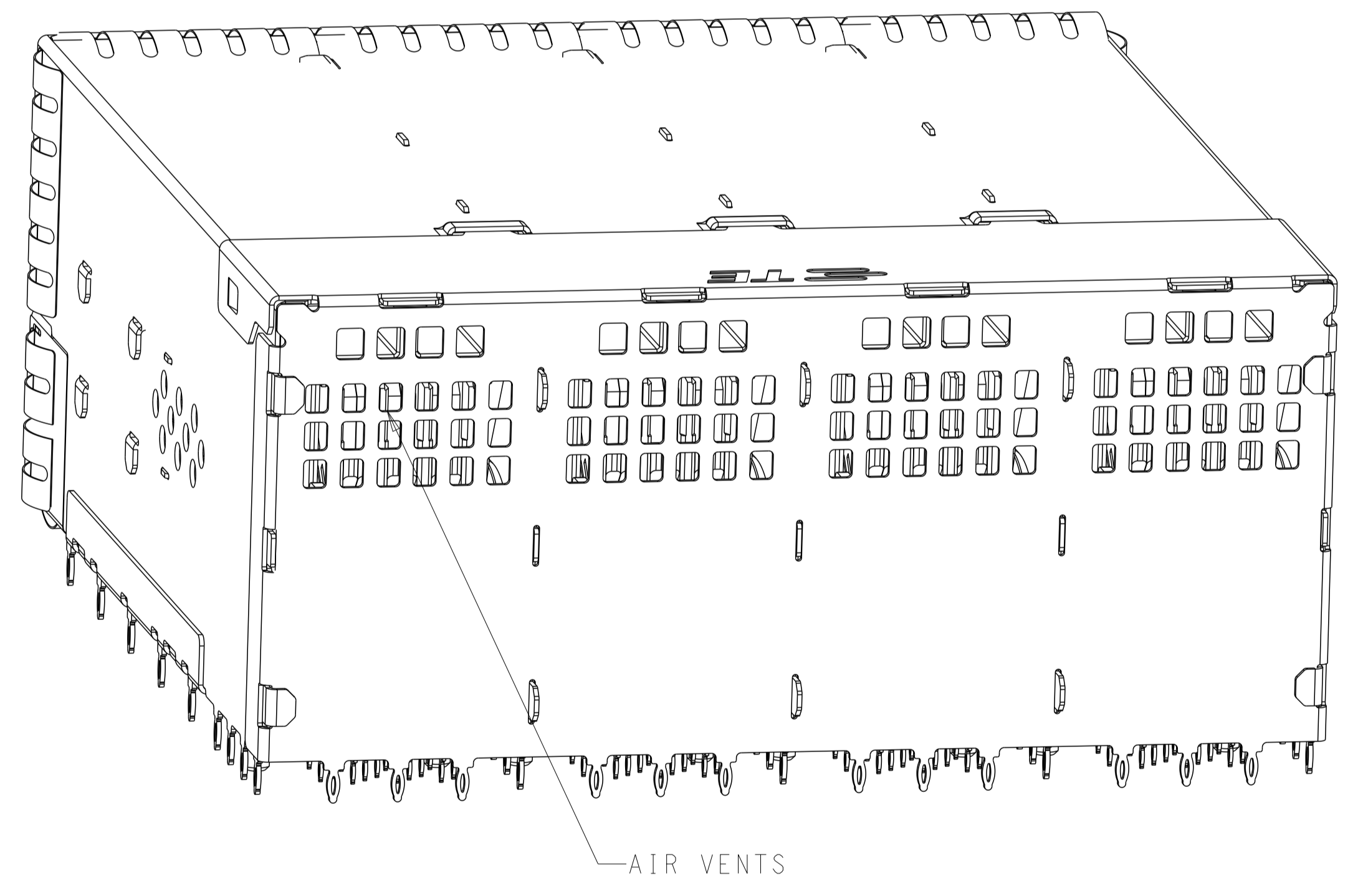
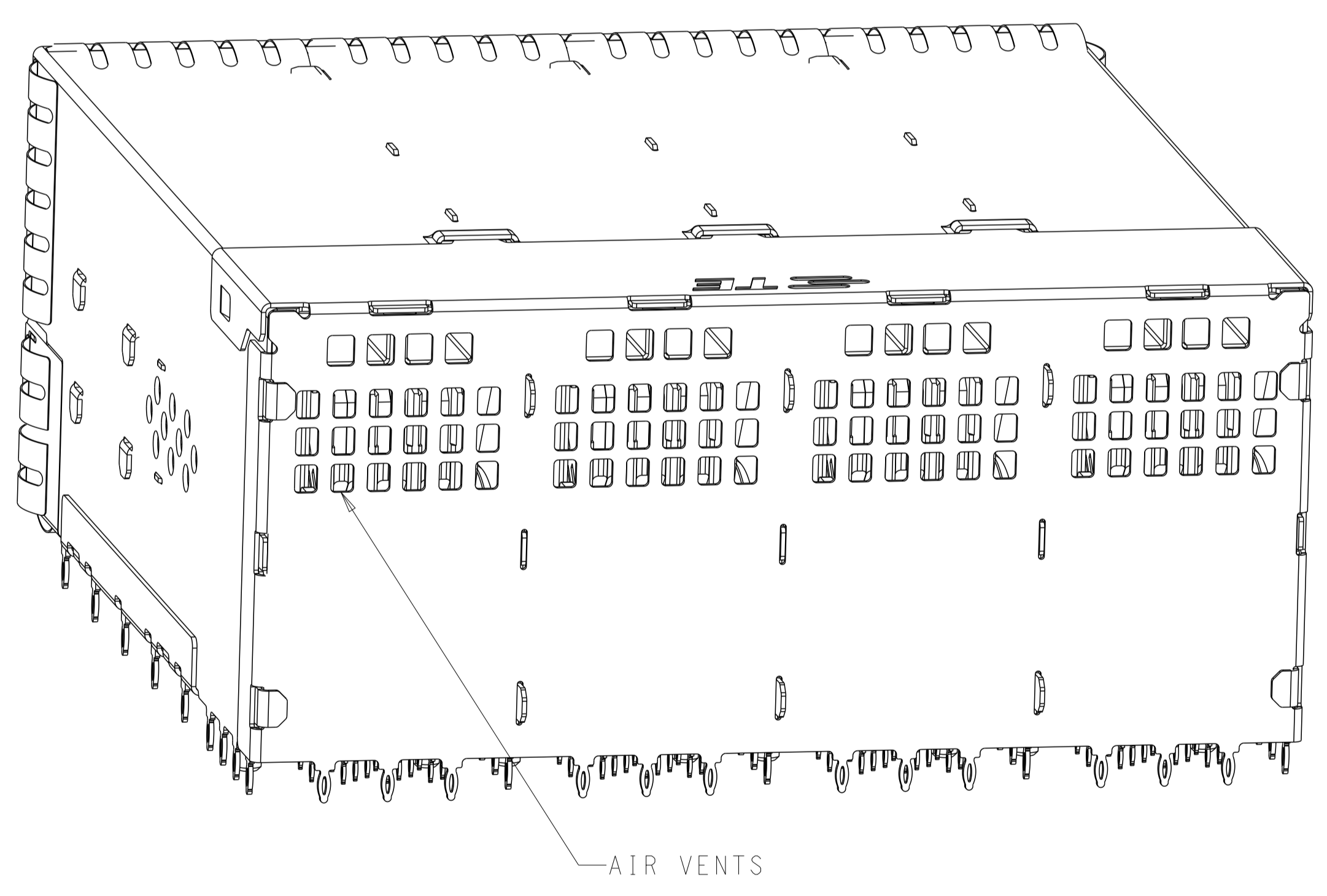
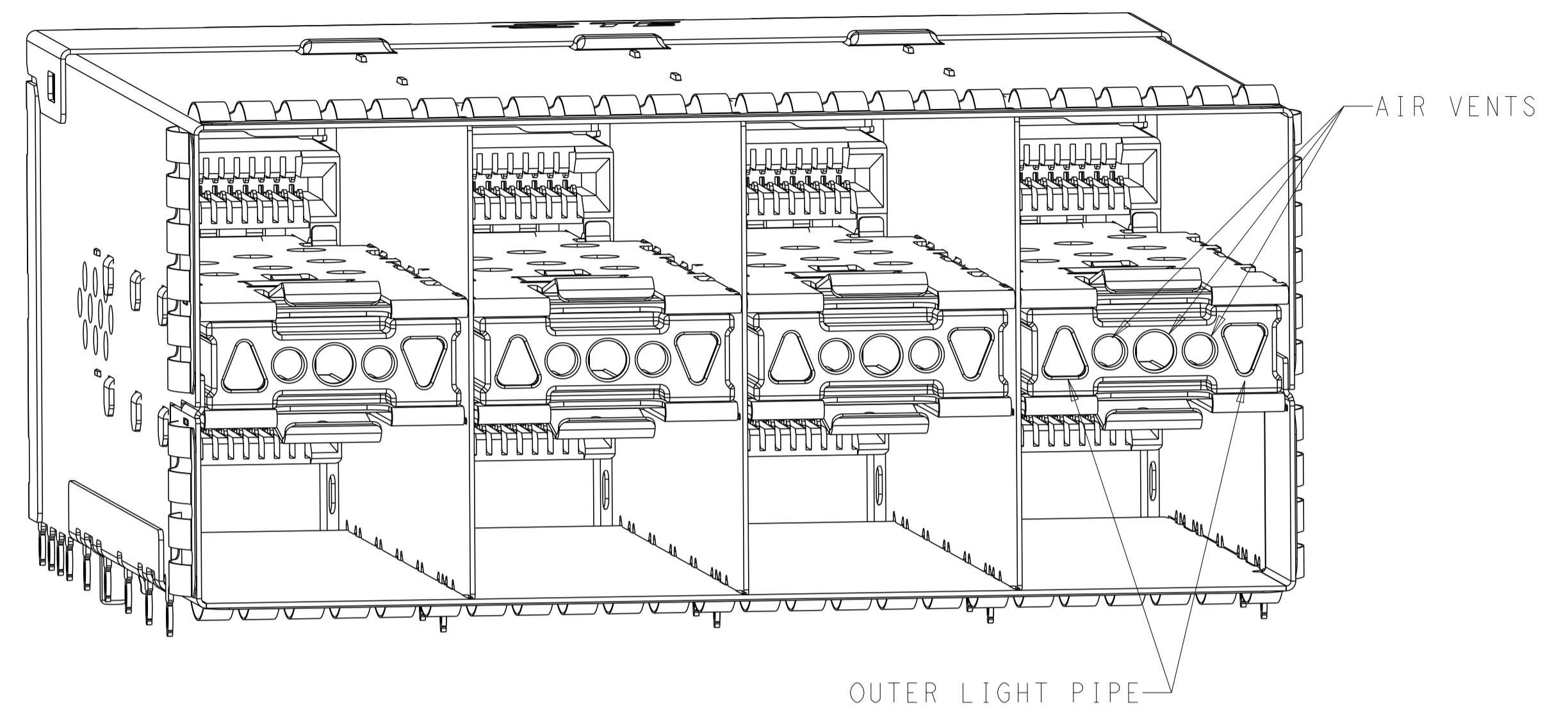
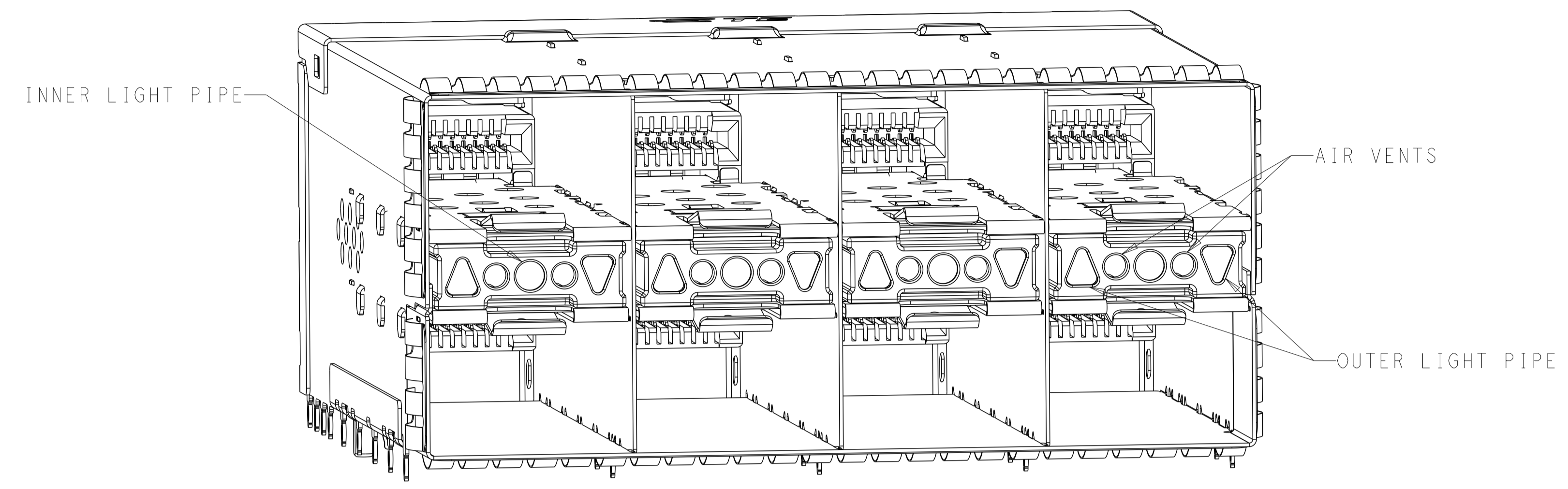
3-2180324-0
EMI GASKET TYPE

3-2180324-1
EMI SPRING TYPE

THIS DRAWING IS A CONTROLLED DOCUMENT.		DMN	M. E. CONNER	14SEP2011	TE Connectivity NAME RECEPTACLE ASSEMBLY, 2X4, STACKED, 2SFP+
DIMENSIONS:		CHK	M. D. MORRISON	16SEP2011	
mm		APVD	M. D. MORRISON	25OCT2011	
0 PLC ±0.13 1 PLC ±0.13 2 PLC ±0.13 3 PLC ±0.13 4 PLC ±0.13 ANGLES ±0.13		PRODUCT SPEC	108-2481	APPLICATION SPEC	
MATERIAL SEE NOTES		FINISH	SEE NOTES	114-13319	RESTRICTED TO
		WEIGHT			SIZE
		CUSTOMER DRAWING			A100779
		SCALE	4:1	SHEET	2 OF 8
		REV	E1		

LOC		DIST		REVISIONS			
P	LYR	DESCRIPTION	DATE	OWN	APVD		
-	-	SEE SHEET 1	-	-	-		

AIRFLOW ENHANCE W/ LP TYPE



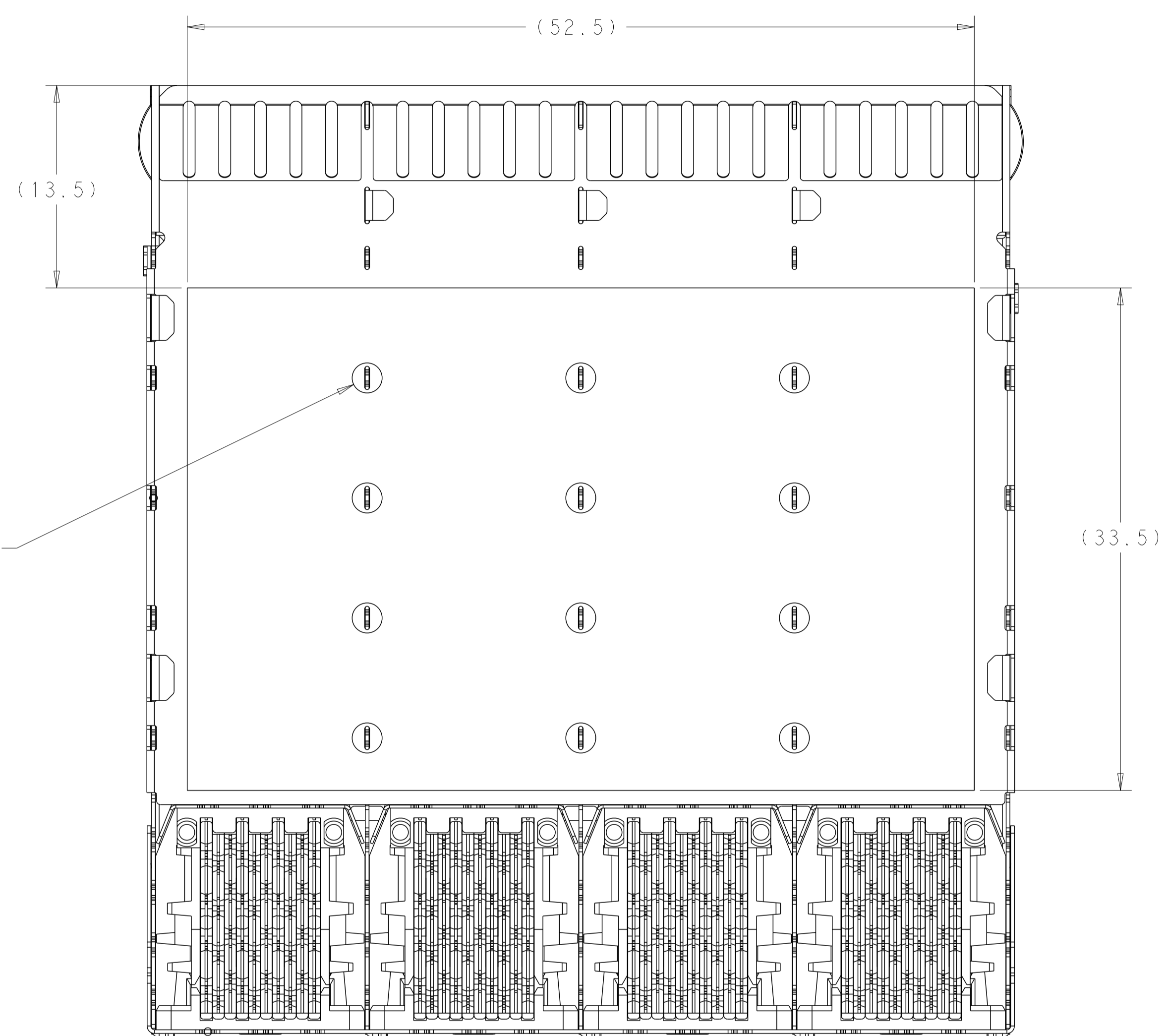
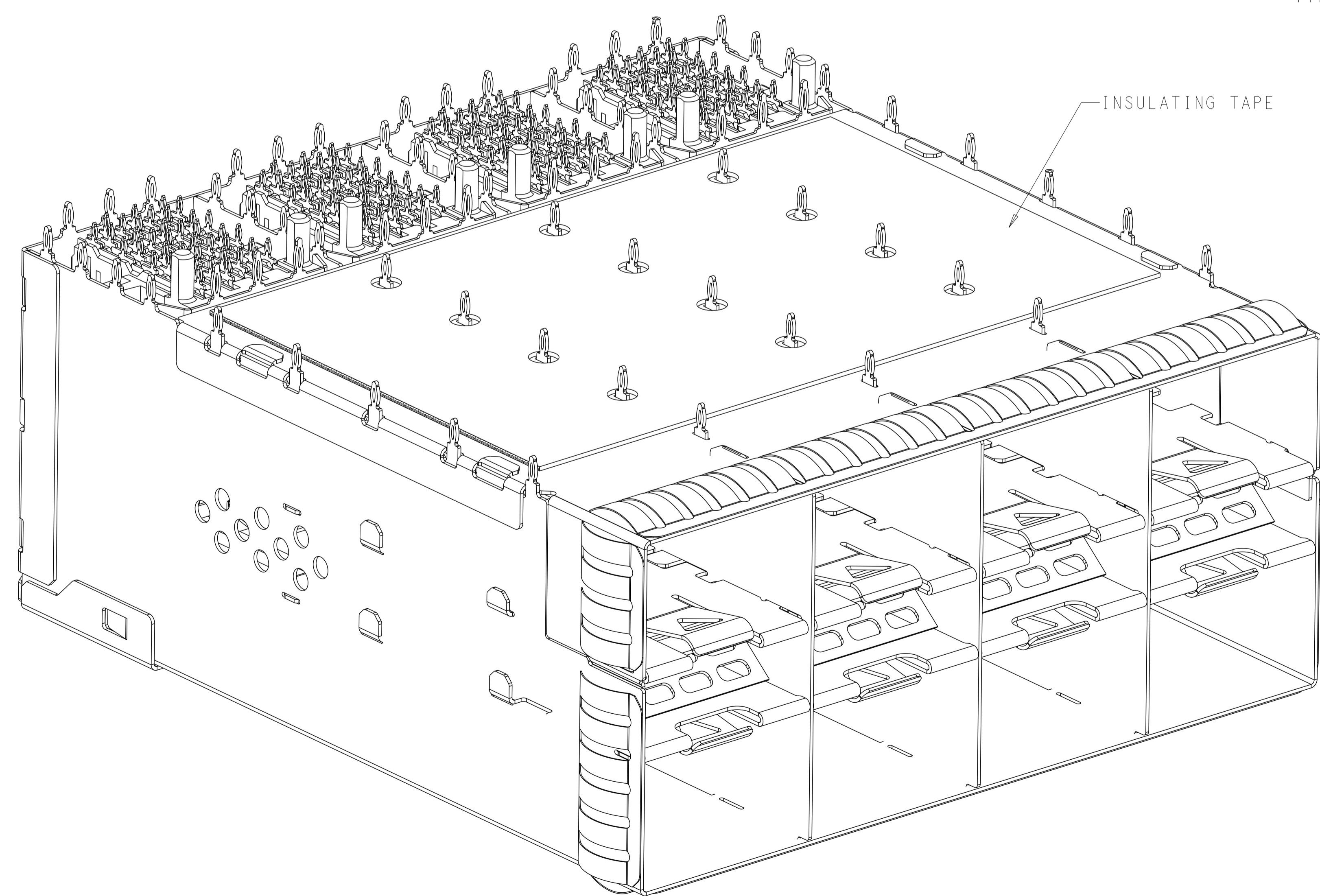
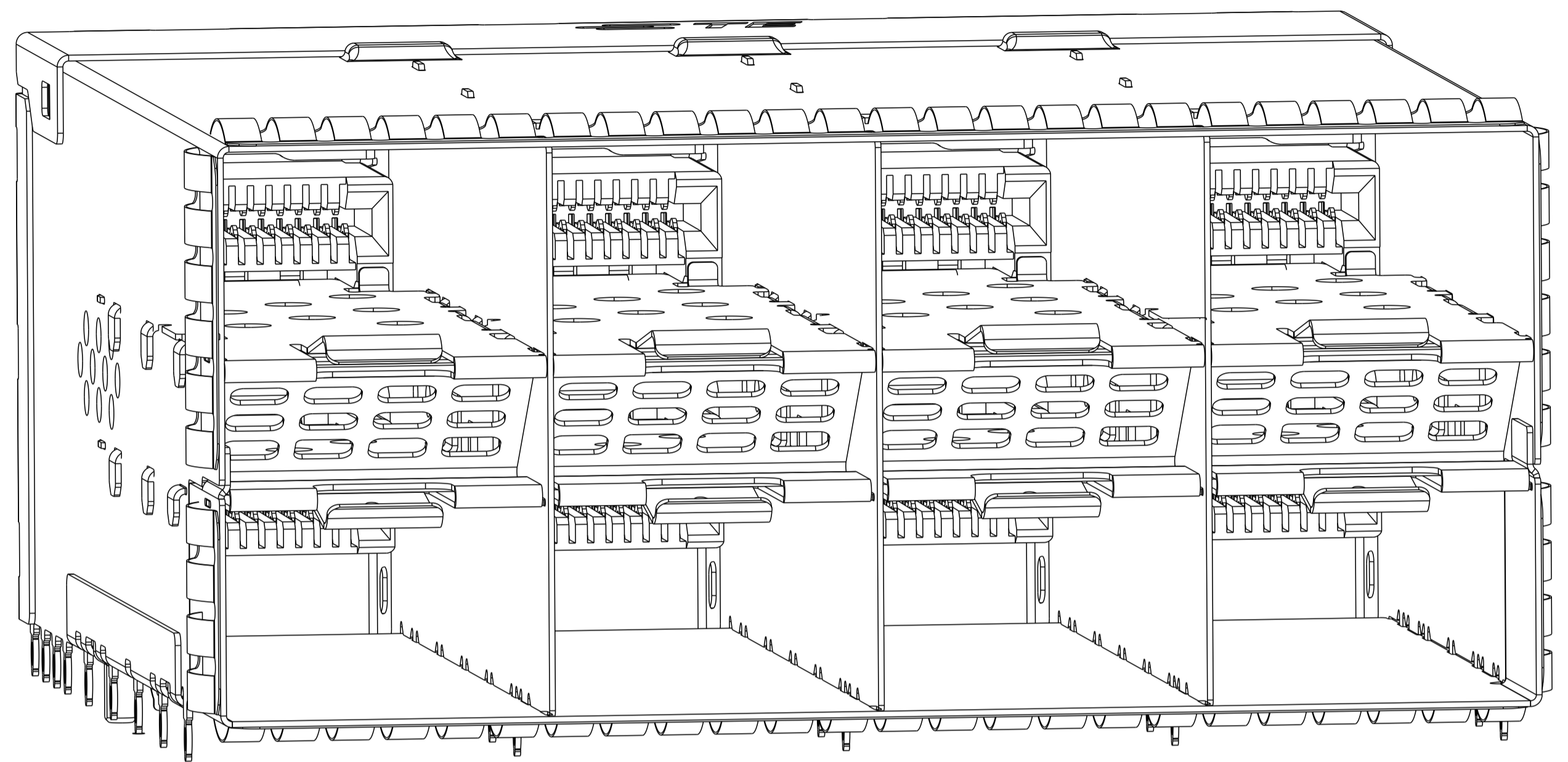
3-2180324-2
EMI SPRING W/ LP TYPE

3-2180324-3
EMI SPRING W/ OUTER LP TYPE

THIS DRAWING IS A CONTROLLED DOCUMENT.		OWN: M.E. CONNER 14SEP2011	
DIMENSIONS: mm		CHK: M.D. MORRISON 16SEP2011	
TOLERANCES UNLESS OTHERWISE SPECIFIED:		APVD: M.D. MORRISON 25OCT2011	NAME: RECEPTACLE ASSEMBLY, 2X4, STACKED, 2 SFP+
0 PLC ±0.13	1 PLC ±0.13	PRODUCT SPEC: 108-2481	SIZE: A1
2 PLC ±0.13	3 PLC ±0.13	APPLICATION SPEC: 114-13319	CAGE CODE: C=2180324
4 PLC ±0.13	ANGLES ±	WEIGHT: -	RESTRICTED TO: -
MATERIAL: SEE NOTES	FINISH: SEE NOTES	CUSTOMER DRAWING	SCALE: 4:1 SHEET 3 OF 8 REV: E1

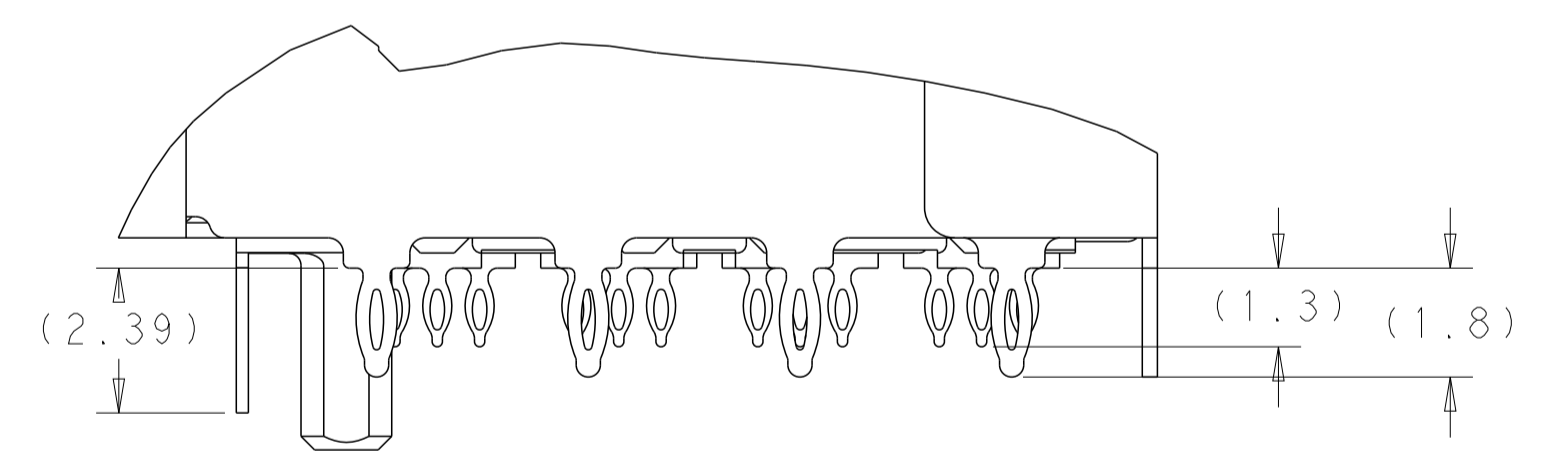
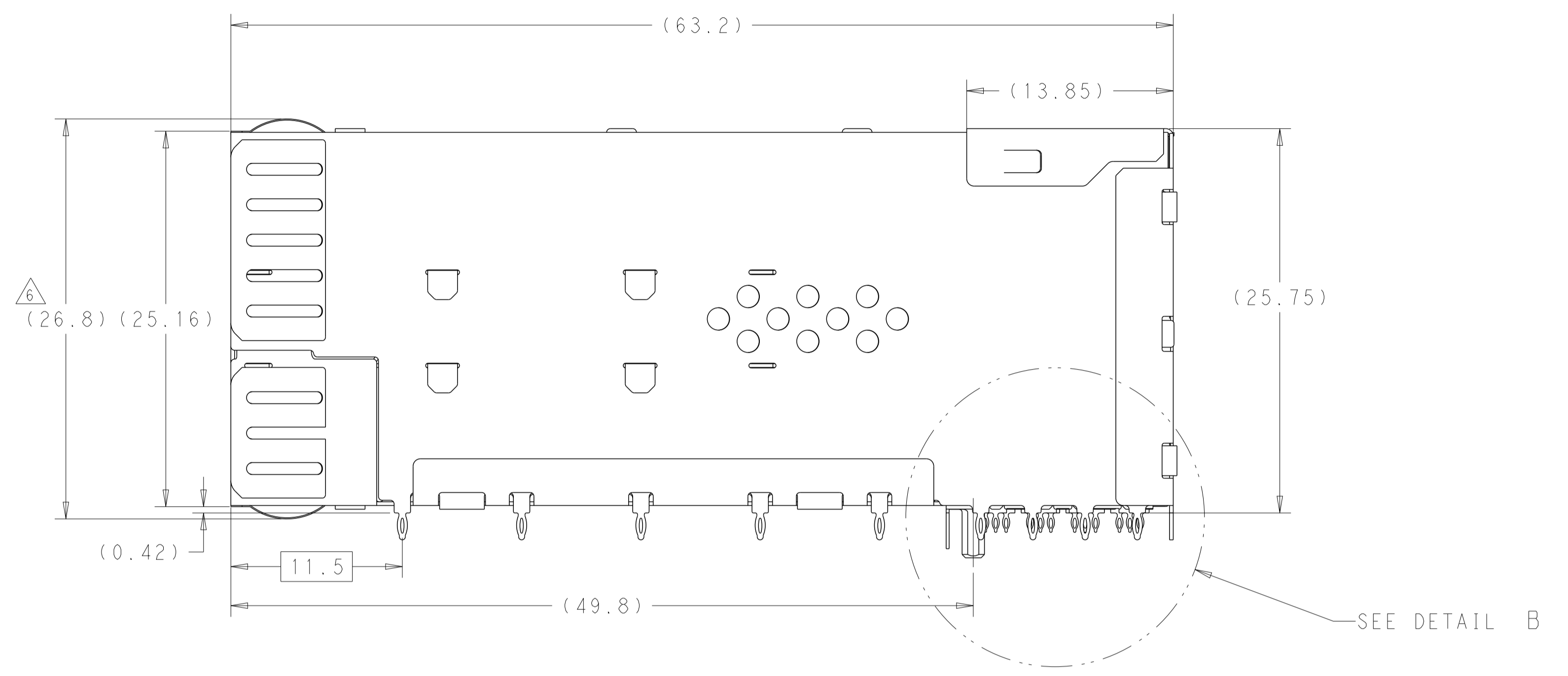
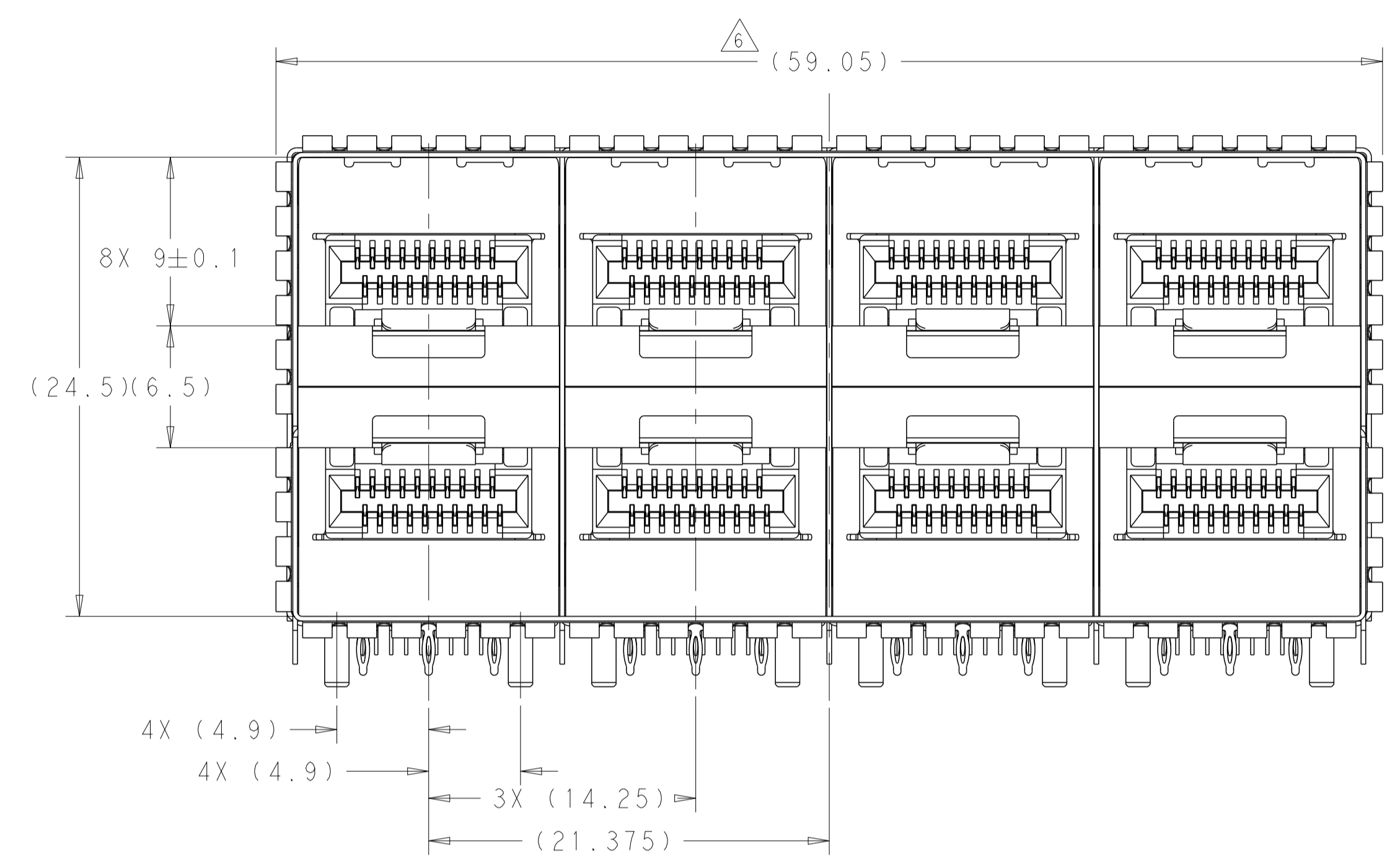
LOC	DIST	REVISIONS			
P	LYR	DESCRIPTION	DATE	DMN	APVD
GP	00	SEE SHEET 1			

3-2180324-4 AIR FLOW ENHANCED VERSION WITH INSULATING TAPE AT BOTTOM
 UNMARKED DIMENSION SAME AS 3-2180324-1

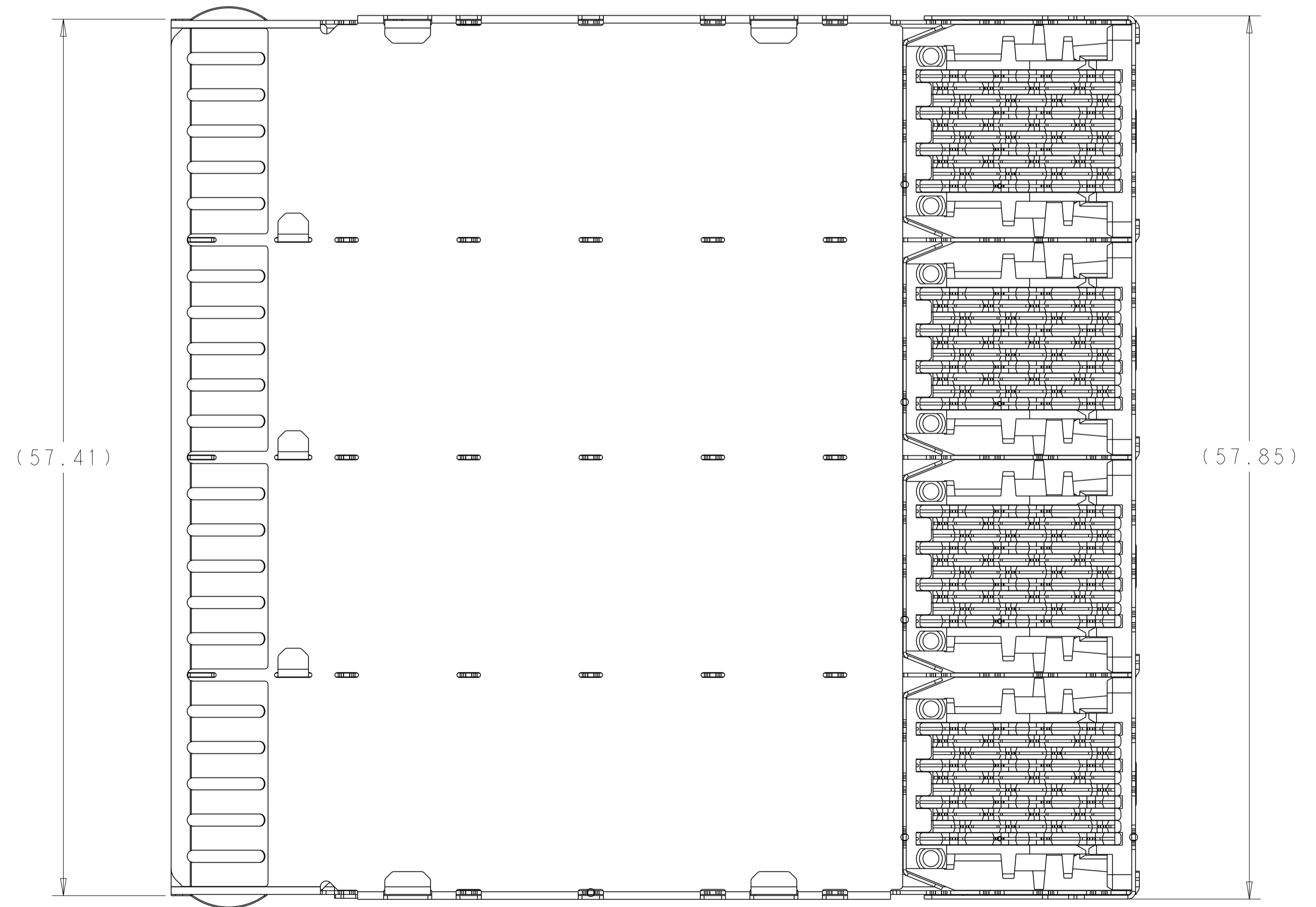


THIS DRAWING IS A CONTROLLED DOCUMENT.		DMN: M. E. CONNER 14SEP2011	TE Connectivity
DIMENSIONS: mm		CHK: M. D. MORRISON 16SEP2011	
TOLERANCES UNLESS OTHERWISE SPECIFIED:		APVD: M. D. MORRISON 25OCT2011	NAME: RECEPTACLE ASSEMBLY, 2X4, STACKED, 2 SFP+
0 PLC	±0.13	PRODUCT SPEC	SIZE: A1
1 PLC	±0.13	APPLICATION SPEC	CAGE CODE: 108-2481
2 PLC	±0.13	114-13319	DRAWING NO: C=2180324
3 PLC	±0.13	WEIGHT	RESTRICTED TO
4 PLC	±0.13	CUSTOMER DRAWING	SCALE: 4:1 SHEET 4 OF 8 REV: E1
ANGLES	±0.13		
FINISH	SEE NOTES		

LOC		DIST		REVISIONS				
P	LTN	DATE	DMN	APVD	DESCRIPTION	DATE	DMN	APVD
-	-	-	-	-	SEE SHEET 1	-	-	-



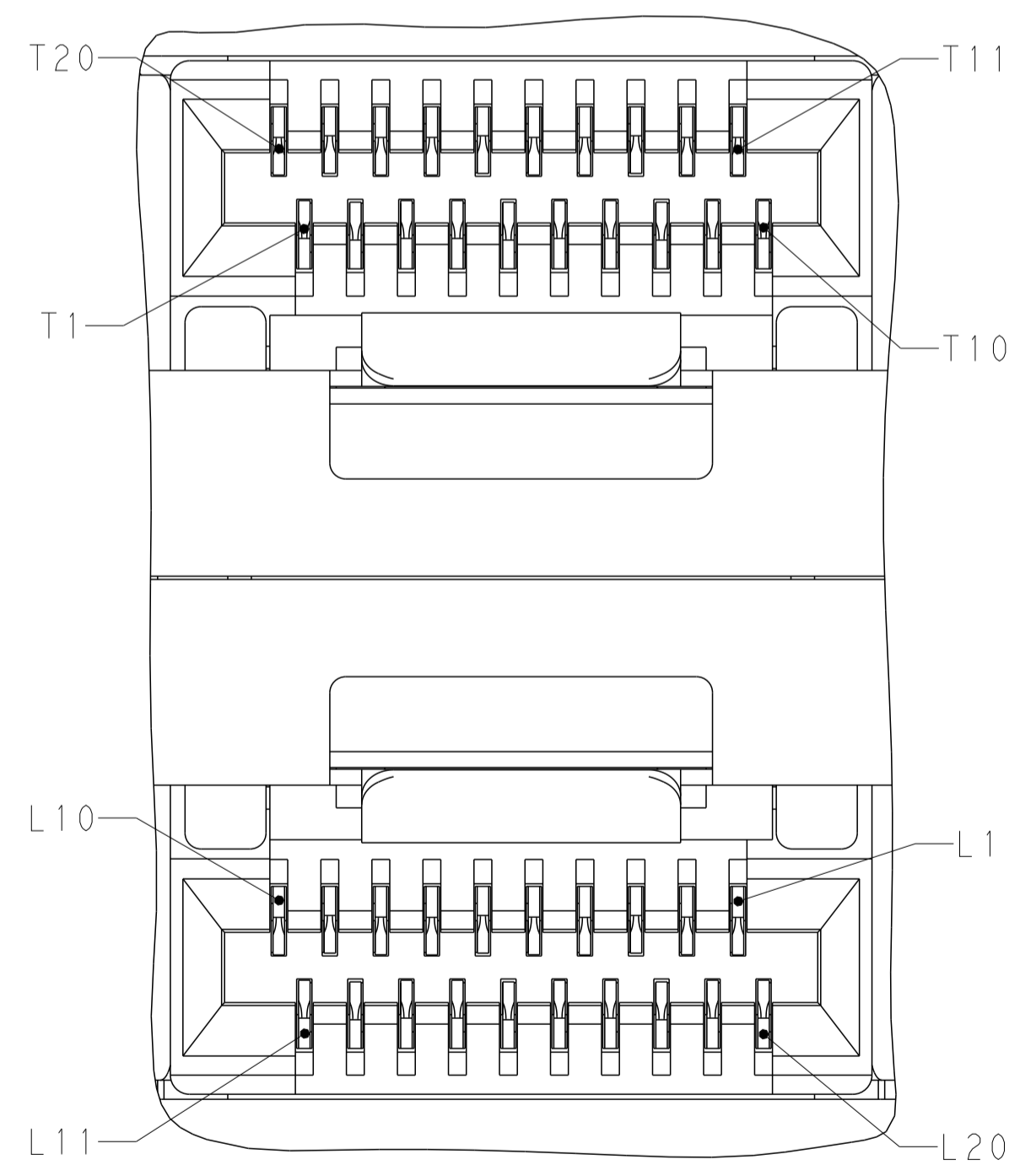
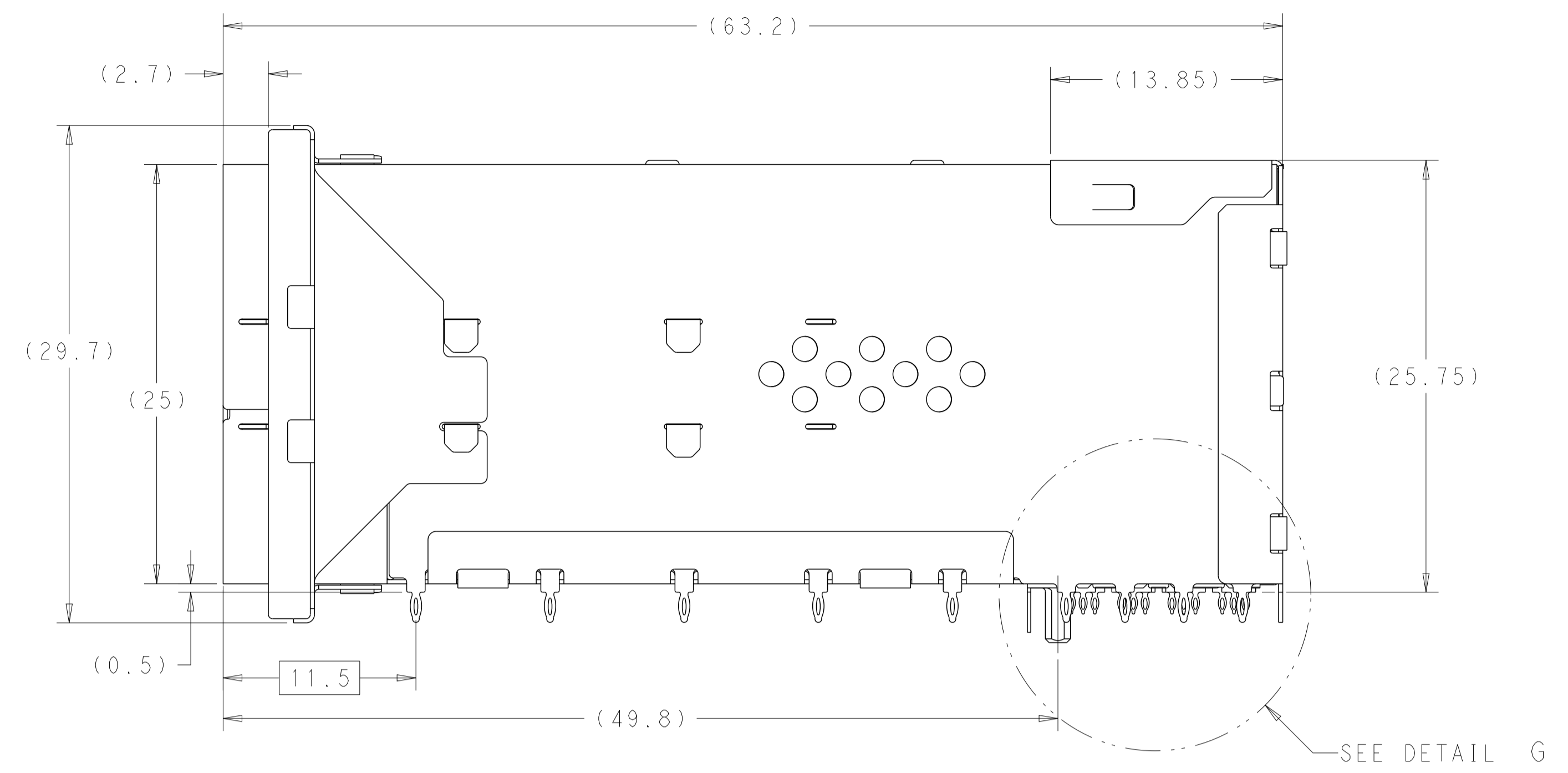
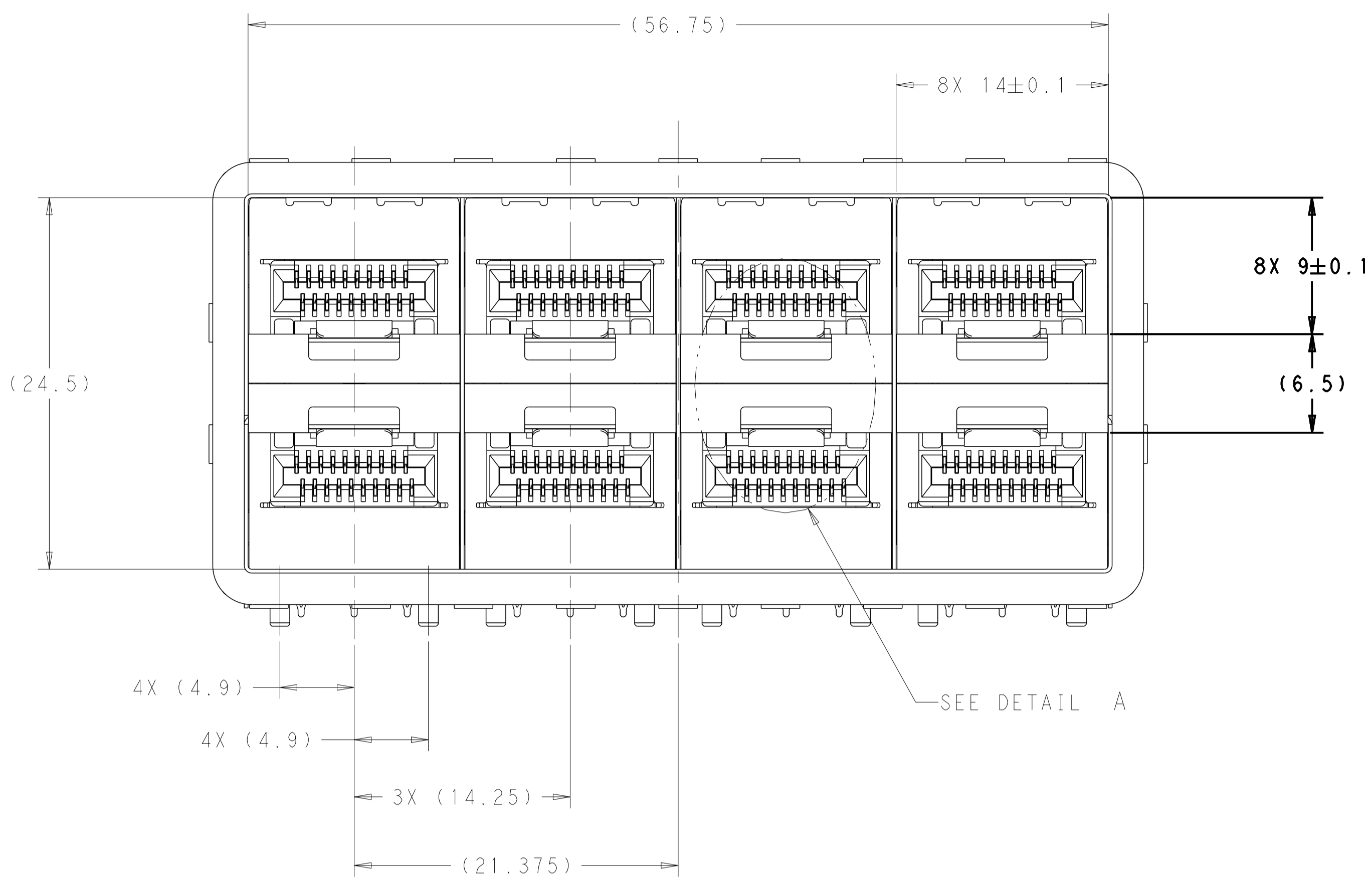
DETAIL B
SCALE 8:1



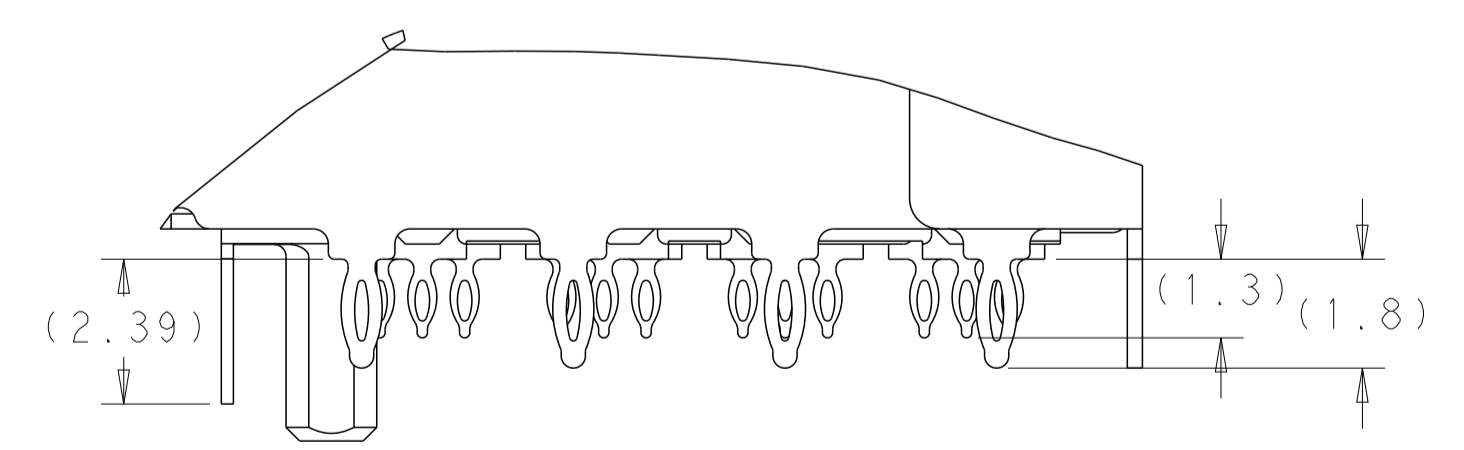
2180324-5 THRU 2180324-8, 1-2180324-9, 2-2180324-0, 3-2180324-1, 3-2180324-2, 3-2180324-3
 EMI SPRINGS ONLY
 SCALE 4:1

THIS DRAWING IS A CONTROLLED DOCUMENT.		OWN: M. E. CONNER 14SEP2011	TE Connectivity
DIMENSIONS: mm		CHK: M. D. MORRISON 16SEP2011	
TOLERANCES UNLESS OTHERWISE SPECIFIED:		APVD: M. D. MORRISON 25OCT2011	NAME: RECEPTACLE ASSEMBLY, 2X4, STACKED, 2SFP+
0 PLC ±0.13		PRODUCT SPEC: 108-2481	
1 PLC ±0.13		APPLICATION SPEC: 114-13319	SIZE: A1 CAGE CODE: 00779 DRAWING NO: 2180324
2 PLC ±0.13		WEIGHT: -	
3 PLC ±0.13		CUSTOMER DRAWING	RESTRICTED TO: -
4 PLC ±0.13		SCALE: 4:1	SHEET: 5 OF 8
ANGLES ±0.13		FINISH: SEE NOTES	REV: E1

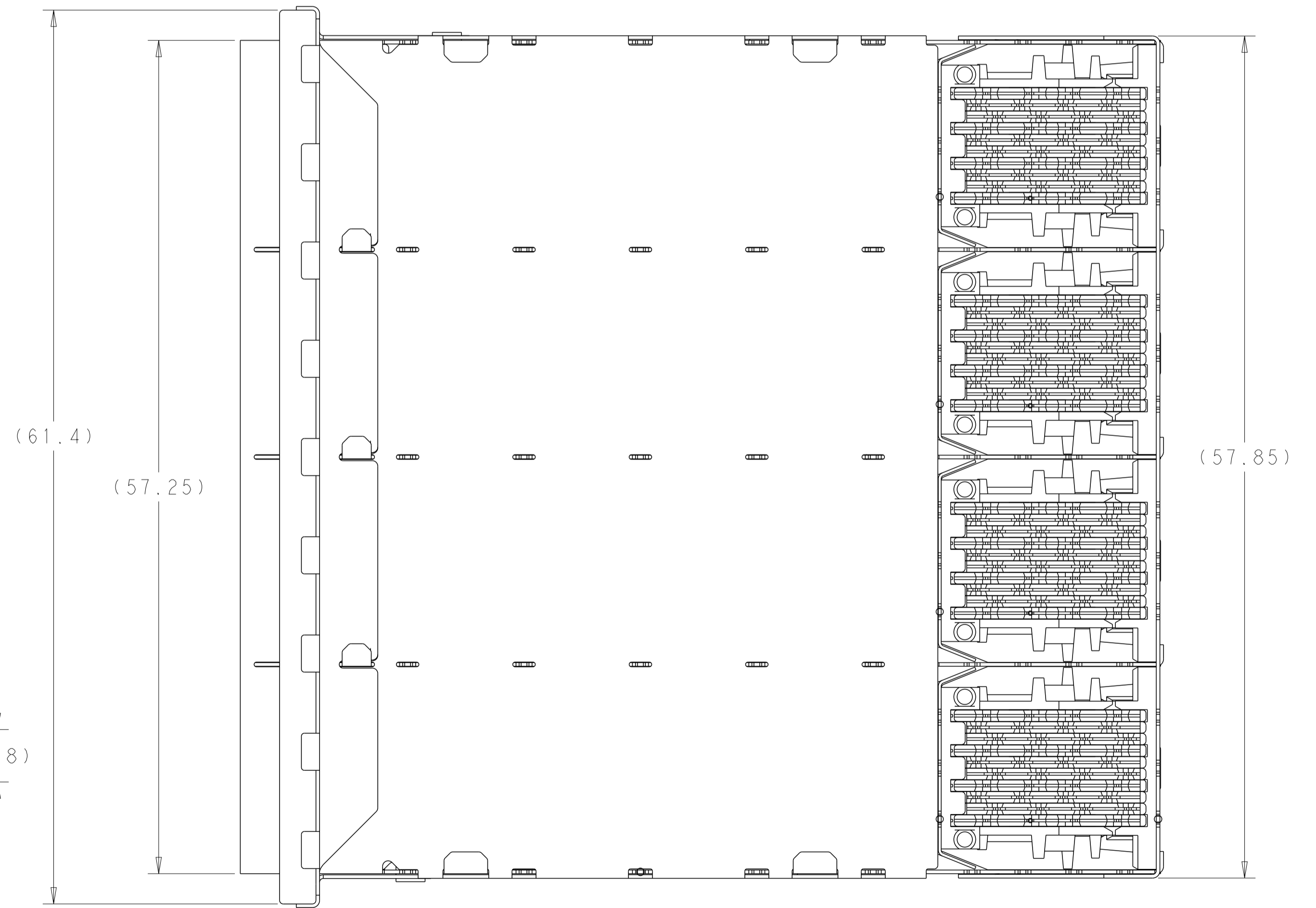
LOC		DIST		REVISIONS				
P	LTN	DATE	DMN	APVD	DESCRIPTION	DATE	DMN	APVD
-	-	-	-	-	SEE SHEET 1	-	-	-



DETAIL A
 4X INDIVIDUALLY
 SCALE 10:1



DETAIL G
 SCALE 8:1



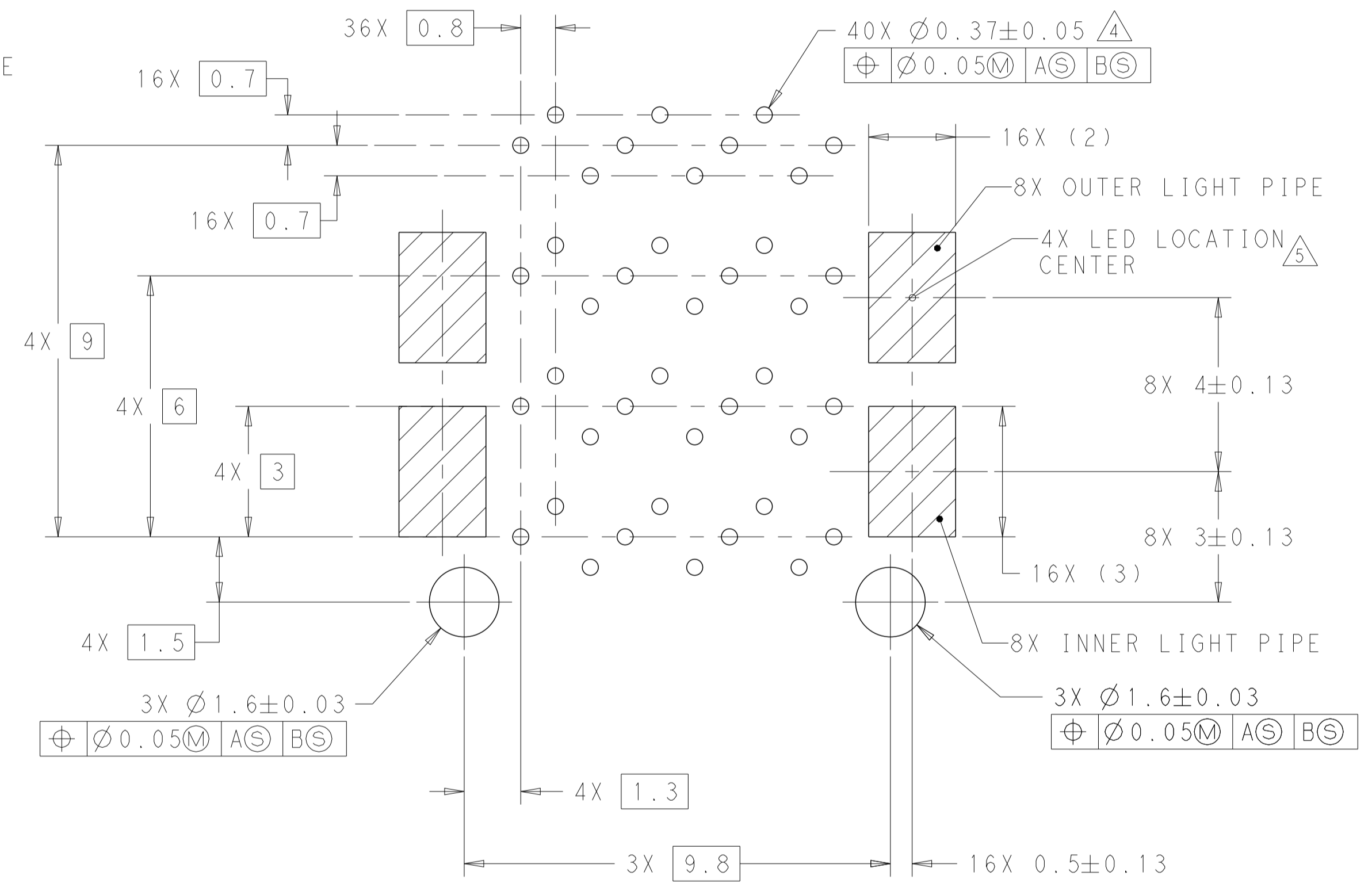
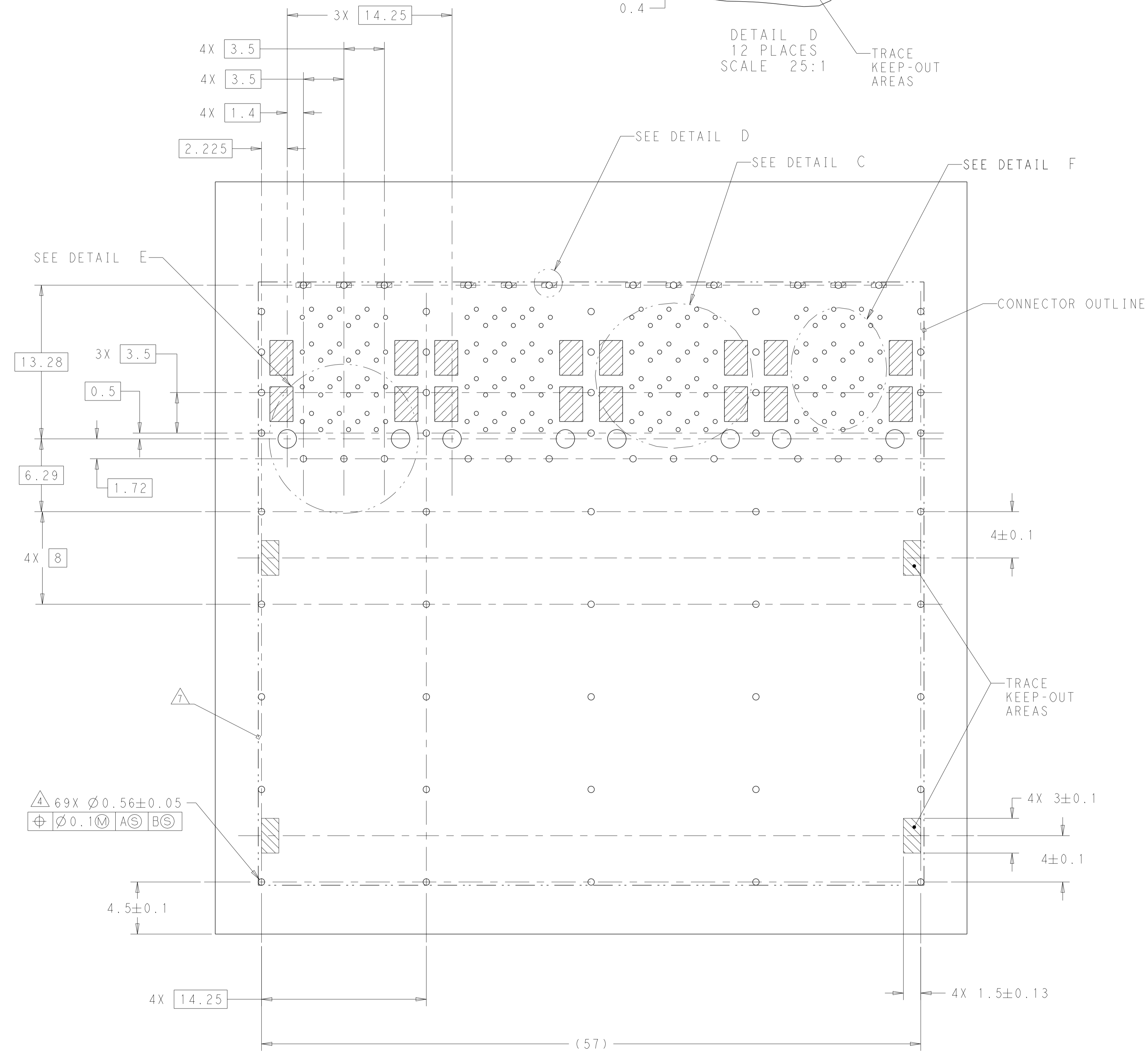
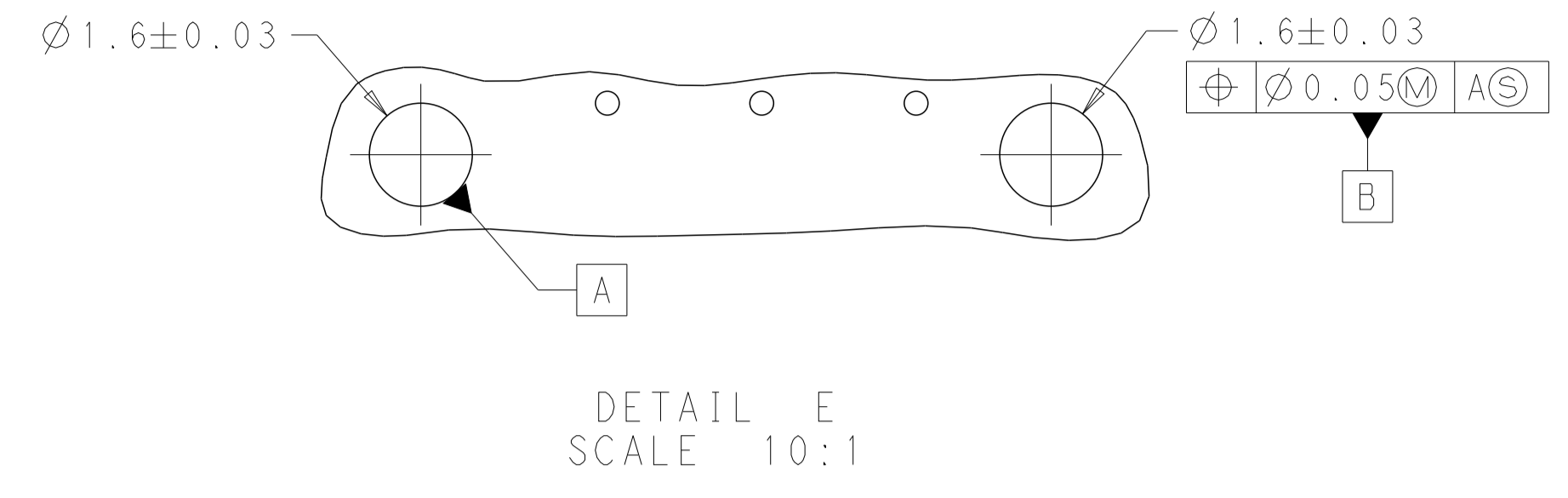
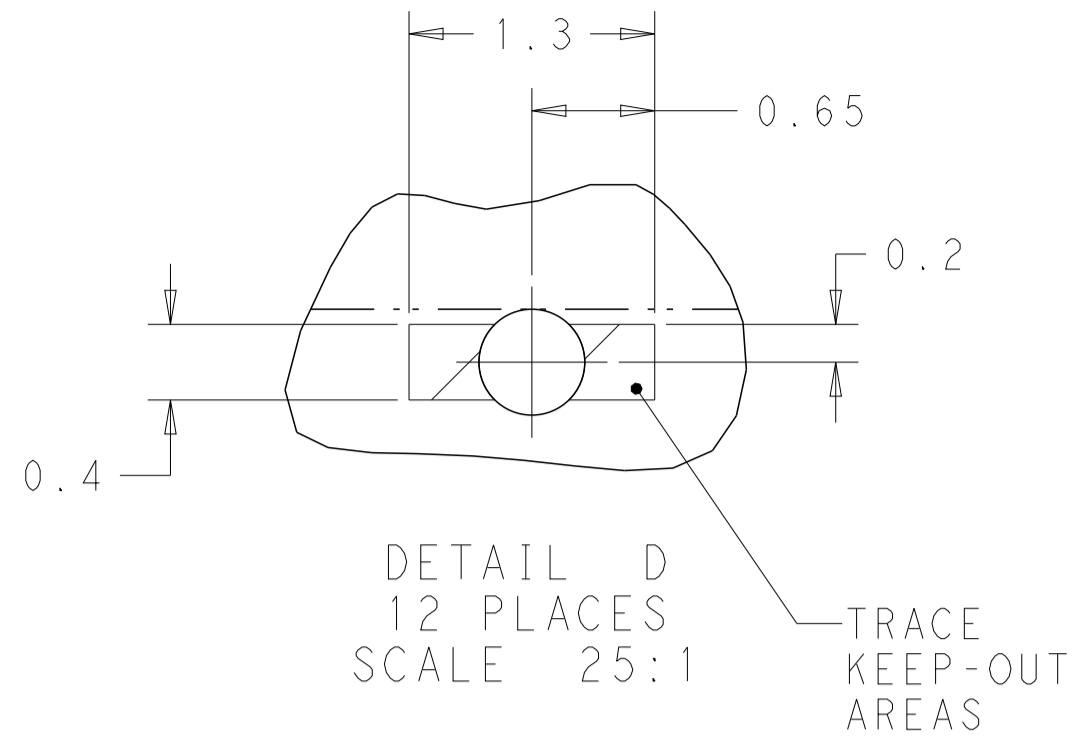
THIS DRAWING IS A CONTROLLED DOCUMENT.

DMN: M.E. CONNER 14SEP2011	CHK: M.D. MORRISON 16SEP2011	APVD: M.D. MORRISON 25OCT2011	NAME: RECEPTACLE ASSEMBLY, 2X4, STACKED, 2SFP+
DIMENSIONS: mm		TOLERANCES UNLESS OTHERWISE SPECIFIED:	
0 PLC ±0.13		1 PLC ±0.13	
2 PLC ±0.13		3 PLC ±0.13	
4 PLC ±0.13		ANGLES ±0.13	
MATERIAL: SEE NOTES		FINISH: SEE NOTES	
SIZE: A1		CAGE CODE: 2180324	
SCALE: 4:1		SHEET: 6 OF 8	
CUSTOMER DRAWING		REV: E1	

STE TE Connectivity

LOC	DIST	REV	DATE	BY	APPV
GP	00				

REVISIONS			
NO.	DESCRIPTION	DATE	BY
1	SEE SHEET 1		



THIS DRAWING IS A CONTROLLED DOCUMENT.		OWN: M.E. CONNER 14SEP2011	TE Connectivity
DIMENSIONS: mm		CHK: M.D. MORRISON 16SEP2011	
TOLERANCES UNLESS OTHERWISE SPECIFIED:		APV: M.D. MORRISON 25OCT2011	NAME: RECEPTACLE ASSEMBLY, 2X4, STACKED, 2SFP+
0 PLC ±0.13	1 PLC ±0.13	PRODUCT SPEC: 108-2481	SIZE: A1
2 PLC ±0.13	3 PLC ±0.13	APPLICATION SPEC: 114-13319	CAGE CODE: 2180324
4 PLC ±0.13	ANGLES ±0.13	WEIGHT: -	SCALE: 4:1
MATERIAL: SEE NOTES	FINISH: SEE NOTES	CUSTOMER DRAWING	SHEET 7 OF 8

LOC	DIST	REVISIONS					
GP	00	P	LTH	DESCRIPTION	DATE	OWN	APVD
		-	-	SEE SHEET 1	-	-	-

T19 ○ T16 ○ T13 ○
 T20 ○ T17 ○ T14 ○ T11 ○
 T18 ○ T15 ○ T12 ○

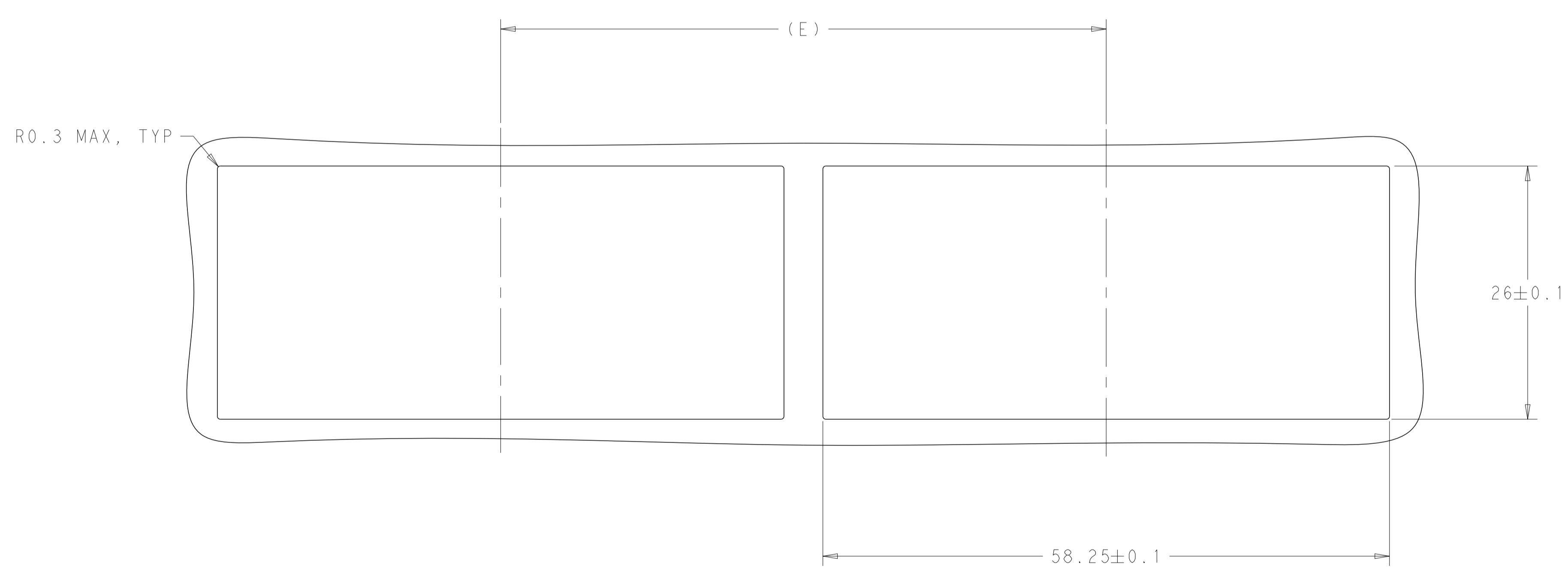
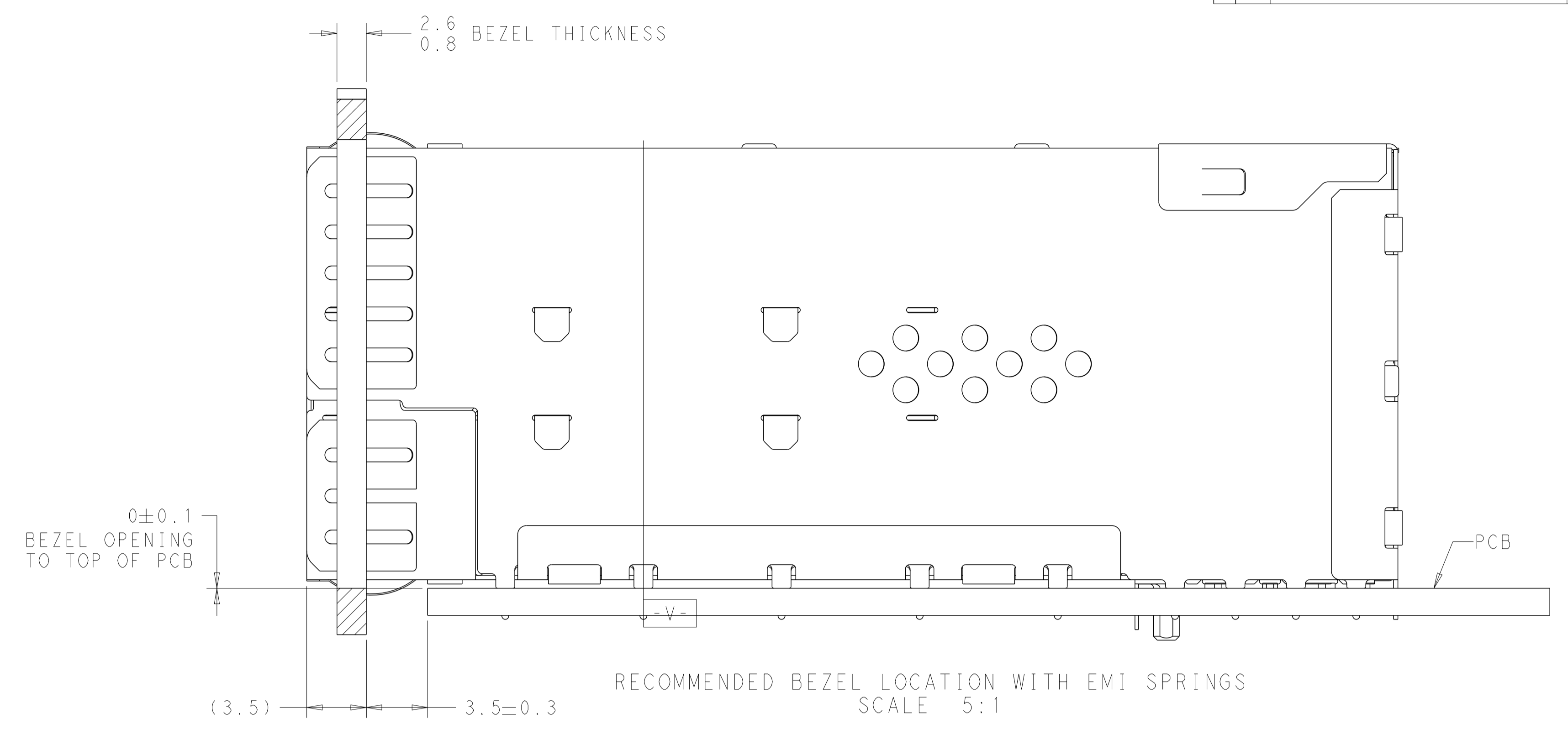
T2 ○ T5 ○ T8 ○
 T1 ○ T4 ○ T7 ○ T10 ○
 T3 ○ T6 ○ T9 ○

L9 ○ L6 ○ L3 ○
 L10 ○ L7 ○ L4 ○ L1 ○
 L8 ○ L5 ○ L2 ○

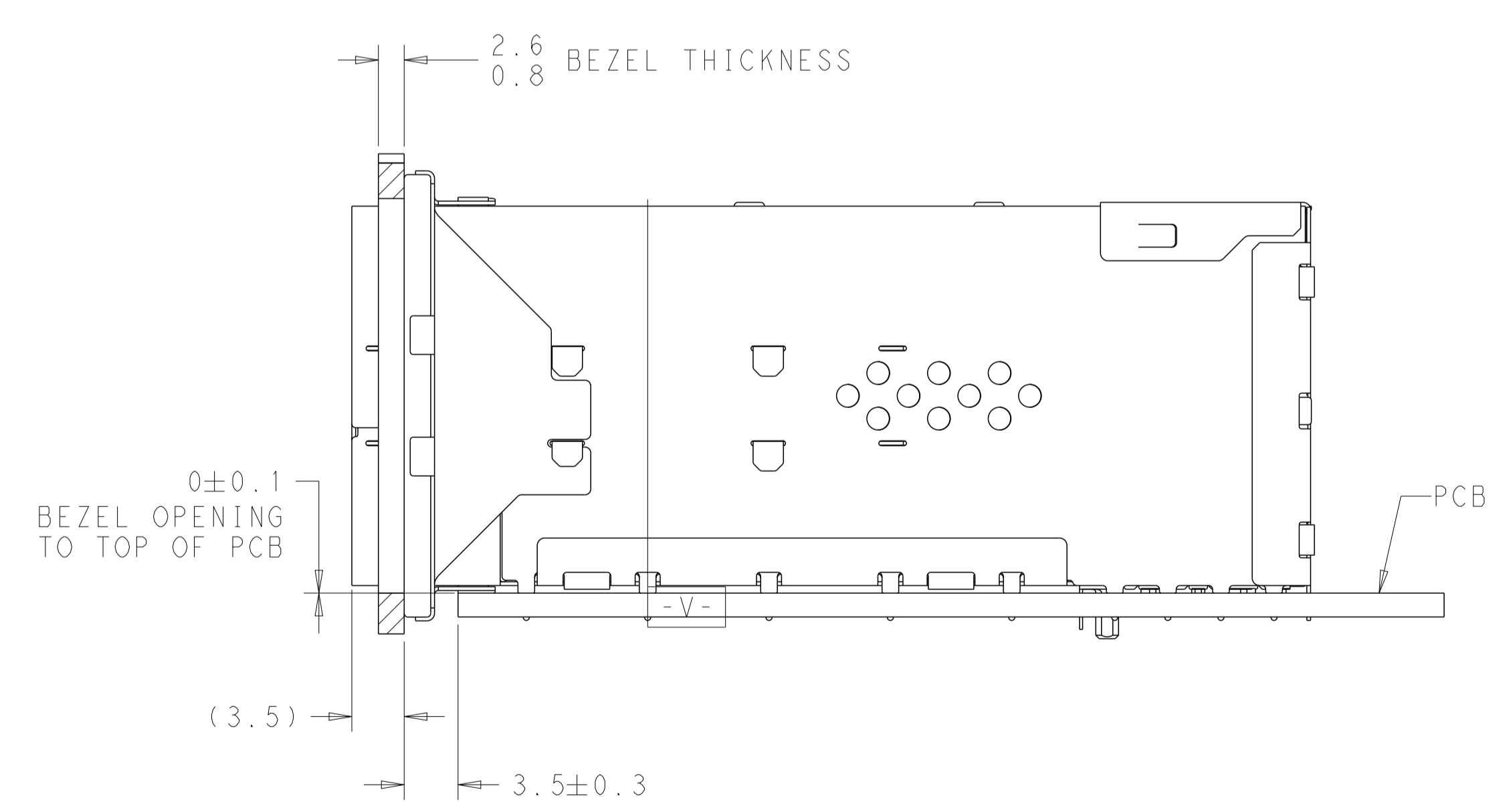
L12 ○ L15 ○ L18 ○
 L11 ○ L14 ○ L17 ○ L20 ○
 L13 ○ L16 ○ L19 ○

PIN MAP LEGEND	
PIN NUMBER	FUNCTION
L1/T1	VEET
L2/T2	TX-FAULT
L3/T3	TX-DISABLE
L4/T4	SDA
L5/T5	SCL
L6/T6	MOD_ABS
L7/T7	RS0
L8/T8	RX_LOS
L9/T9	RS1
L10/T10	VEER
L11/T11	VEER
L12/T12	RD-
L13/T13	RD+
L14/T14	VEER
L15/T15	VCCR
L16/T16	VCCT
L17/T17	VEET
L18/T18	TD+
L19/T19	TD-
L20/T20	VEET

DETAIL F
 PIN MAP
 4 PLACES
 SCALE 15:1



RECOMMENDED BEZEL CUT-OUT DETAIL
 SCALE 3:1



RECOMMENDED BEZEL LOCATION WITH EMI GASKET
 SCALE 3:1

THIS DRAWING IS A CONTROLLED DOCUMENT.		OWN: M.E. CONNER 14SEP2011	TE Connectivity
DIMENSIONS: mm		CHK: M.D. MORRISON 16SEP2011	
TOLERANCES UNLESS OTHERWISE SPECIFIED:		APVD: M.D. MORRISON 25OCT2011	NAME: RECEPTACLE ASSEMBLY, 2X4, STACKED, 2SFP+
0 PLC ±0.13		PRODUCT SPEC: 108-2481	
1 PLC ±0.13		APPLICATION SPEC: 114-13319	SIZE: A1 CAGE CODE: 00779 DRAWING NO: C=2180324
2 PLC ±0.13		WEIGHT: -	
3 PLC ±0.13		CUSTOMER DRAWING	SCALE: 4:1
4 PLC ±0.13			SHEET: 8 OF 8
ANGLES ±0.13			REV: E1
FINISH: SEE NOTES			