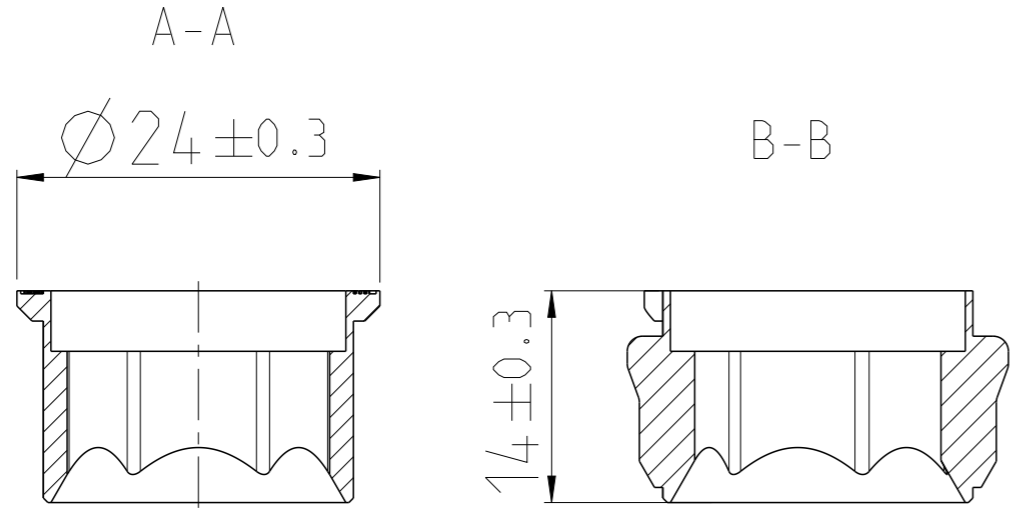
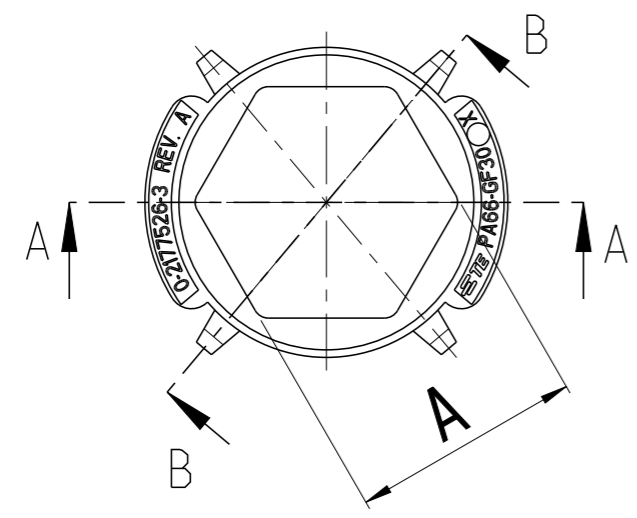


| DESCRIPTION | DATE | DWN | APVD |
|-----------------------|-----------|-----|------|
| NEW DRAWING | 25APR2013 | MKP | FKA |
| 0-1 PART MODIFICATION | 21AUG2019 | SK | PR |



NOTES
Bemerkungen

1 SUPPLIED FROM: LOOSE PIECE PACKED INTO CARTON
 Lieferform: Schuettgut in Karton verpackt



| TE PN | DIMENSION A | DESCRIPTION | MATERIAL | COLOR | VOLUME [cm ³] |
|-------------|-------------|--|-----------|---|---------------------------|
| 0-2177526-4 | 16.2±0.25 | ANTI ROTATION SAFEGUARD -HV-1POS.-IPT 50 mm ² Verdrehschutz-HV-1pol. -IPT 50 mm ² | PA66-GF30 | ORANGE SIMILAR TO RAL 2003 Aehnlich RAL2003 | 1.3 |
| 0-2177526-3 | 15.3±0.25 | ANTI ROTATION SAFEGUARD -HV-1POS.-IPT 35 mm ² Verdrehschutz-HV-1pol. -IPT 35 mm ² | PA66-GF30 | ORANGE SIMILAR TO RAL 2003 Aehnlich RAL2003 | 1.5 |
| 0-2177526-2 | 13.1±0.25 | ANTI ROTATION SAFEGUARD -HV-1POS.-IPT 25 mm ² Verdrehschutz-HV-1pol. -IPT 25 mm ² | PA66-GF30 | ORANGE SIMILAR TO RAL 2003 Aehnlich RAL2003 | 1.8 |
| 0-2177526-1 | 11.2±0.25 | ANTI ROTATION SAFEGUARD -HV-1POS.-IPT 16 mm ² Verdrehschutz-HV-1pol. -IPT 16 mm ² | PA66-GF30 | ORANGE SIMILAR TO RAL 2003 Aehnlich RAL2003 | 1.95 |

TOLERANCING ISO 8015
TOLERIERUNG ISO 8015

DIESE ZEICHNUNG IST EIN KONTROLLIERTES DOKUMENT. BEMASSUNGEN UND TOLERANZEN GEMAESS GPS (ISO STANDARDS).

THIS DRAWING IS A CONTROLLED DOCUMENT. DIMENSIONING AND TOLERANCING PER GPS (ISO STANDARDS).

| | |
|---------------------------------|--|
| DIMENSIONS: MASSEINHEITEN: (mm) | TOLERANCES UNLESS OTHERWISE SPECIFIED: ALLGEMEINTOLERANZEN |
| 0 PLC ±.DIN ISO 2768-m-H | 1 PLC ±.DIN 16901-130 |
| 2 PLC ± | 3 PLC ± |
| 4 PLC ± | ANGLES/WINKEL ±1° |
| MATERIAL SEE TABLE | FINISH/OBERFLAECHE/FARBE - |

STE TE Connectivity

NAME: ANTI ROTATION SAFEGUARD HV-1-POS.-IPT Verdrehschutz-HV-1 pol.-IPT

APVD: F. Kaehny 25APR2013

PRODUCT SPEC: -

APPLICATION SPEC: -

WEIGHT: -

Customer Drawing /KUNDENZEICHNUNG

SCALE: 2:1

SHEET 1 OF 1

REV B