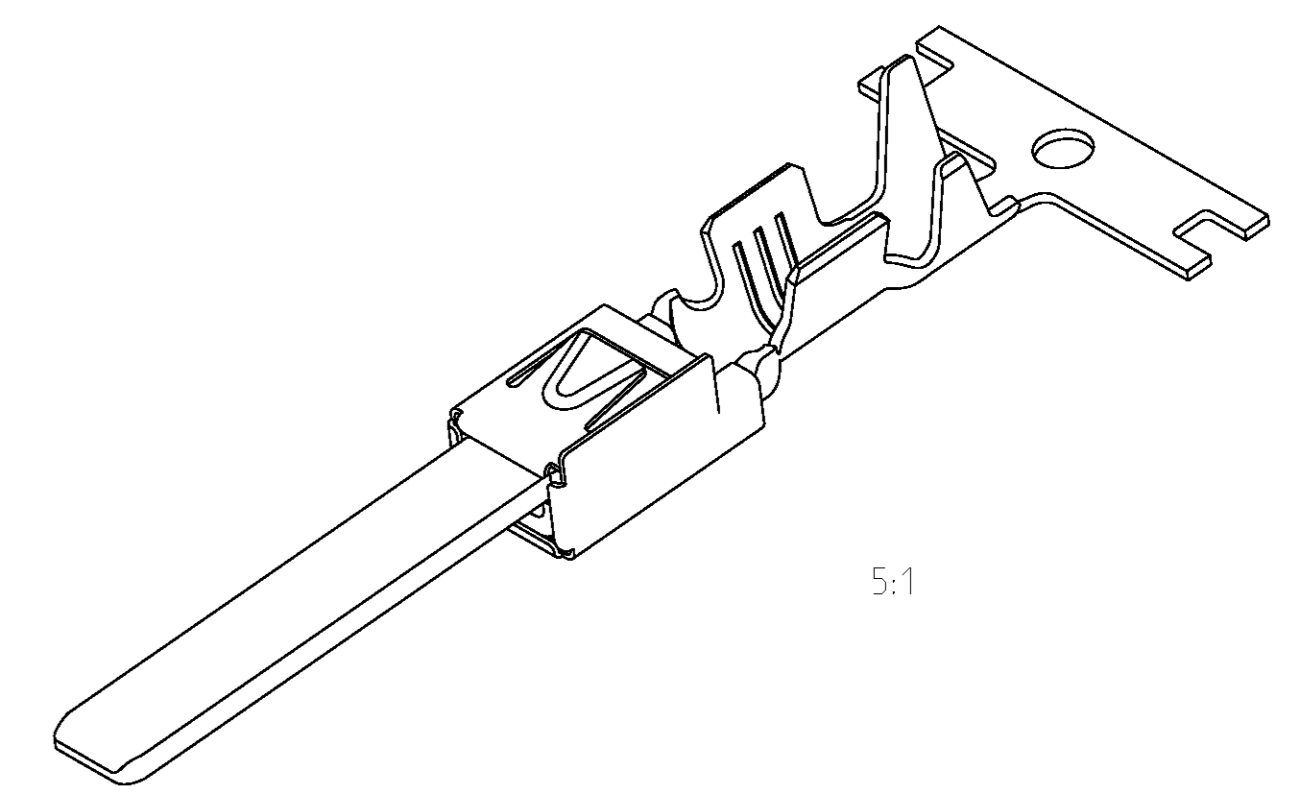
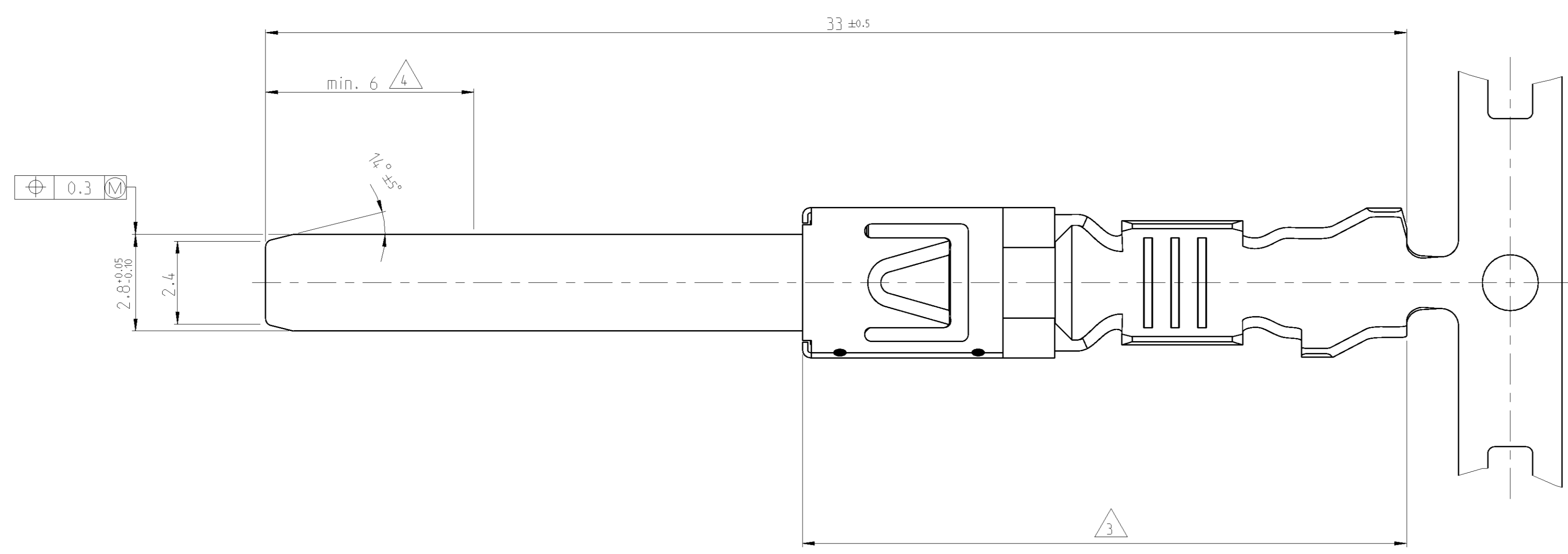
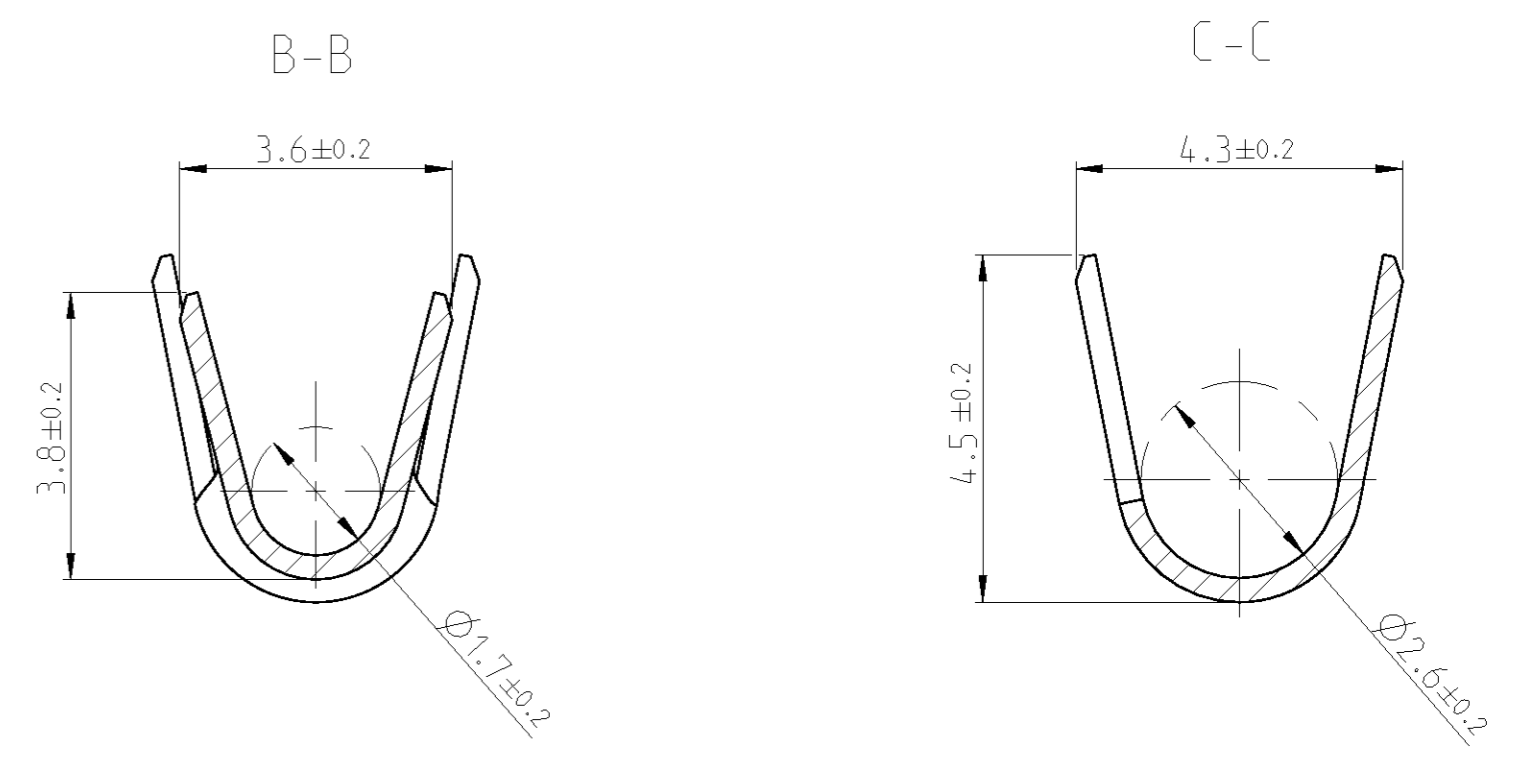
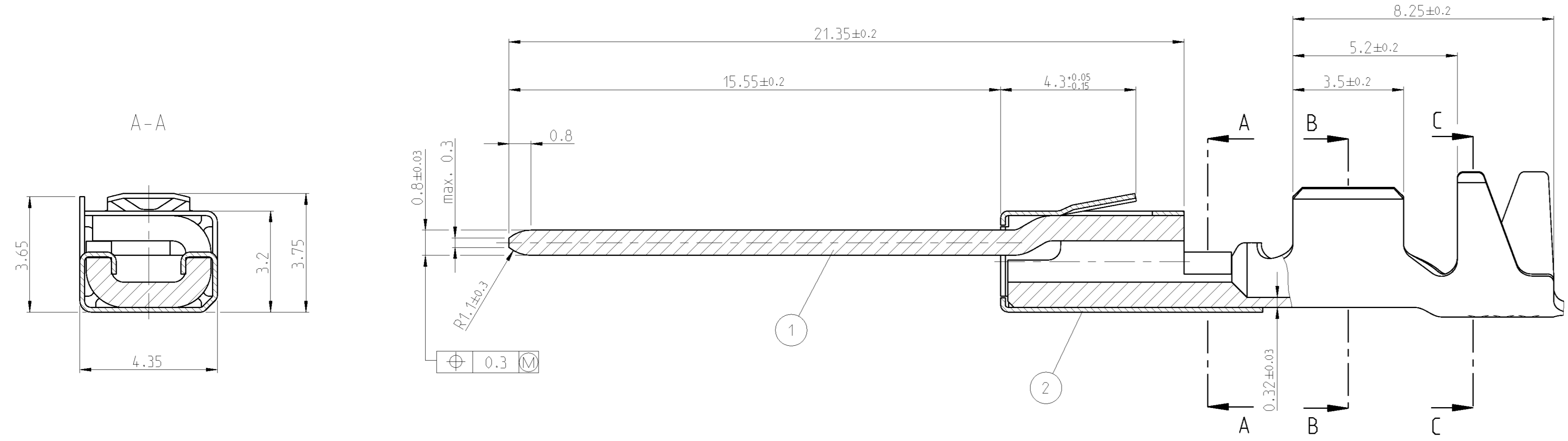


LOC	DIST	REVISIONS			
		REV	DATE	BY	APPV
A1	-	A	26 JUN 2012	Sch	Abr



- Bemerkungen  
NOTES
- Einzelheiten der Ausführung bleiben dem Hersteller ueberlassen  
DETAILS OF DESIGN ARE LEFT TO MANUFACTURER
  - Nur fuer FLR-Leitungen nach DIN 72551, Teil 6  
FOR FLR-CONDUCTORS ACCORDING TO DIN 72551-6 ONLY
- 3 Oberfläche min. 0.2µm Sn  
SURFACE min. 0.2µm Sn
- 4 Oberfläche galvanisch verzinkt: 1-3µm Sn  
ELECTROPLATED TIN SURFACE: 1-3µm Sn

0-2177289-2	X12CrNi17-7	SPRING	2	Sn	>1.0-2.5	0-2177290-2	A
TE ORDER NO. LOOSE PIECE	CuSn0.15	BODY	1				
THIS DRAWING IS A CONTROLLED DOCUMENT.		OWN: A. Schimmler 26 JUN 2012		TE Connectivity MICRO POWER QUADLOK 2.8 x 0.8 TAB CONTACT Stifitkontakt			
DIMENSIONS: mm		CHK: G. Abraham 27 JUN 2012					
TOLERANCES UNLESS OTHERWISE SPECIFIED: ±0.1		APPV: M. Reicher 02 JUL 2012					
MATERIAL: -		FINISH: -					
CUSTOMER DRAWING		WEIGHT: 1.0g		SIZE: A1		CAGE CODE: 00779	
		SCALE: 10:1		SHEET: 1 OF 1		REV: A	