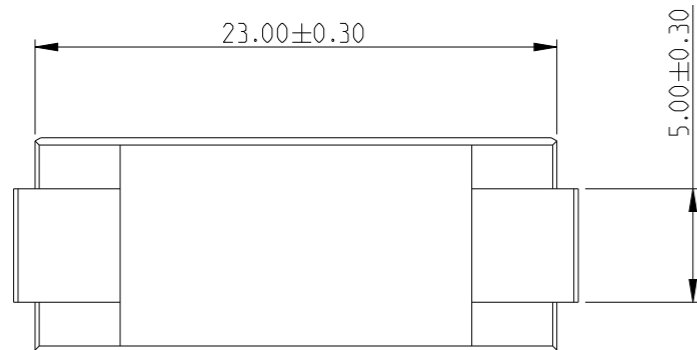
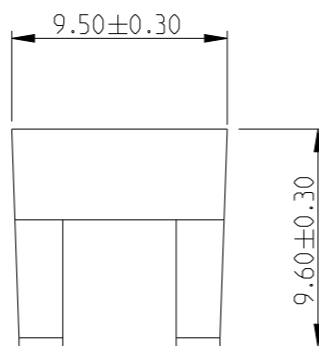
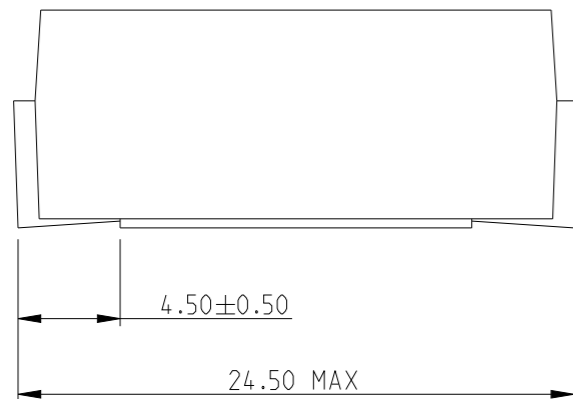


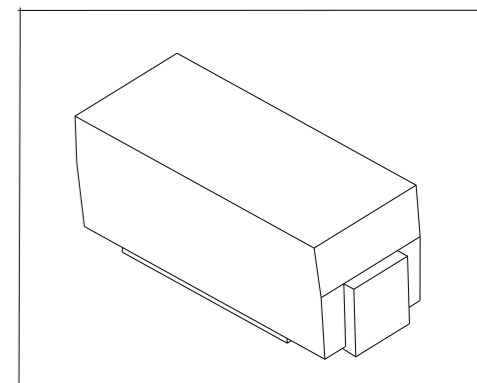
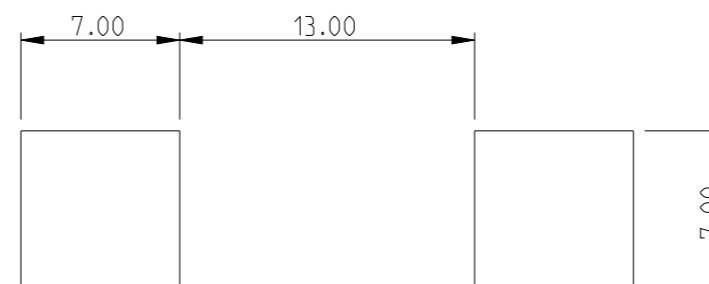
REVISIONS

P	LTR	DESCRIPTION	DATE	DWN	APVD
	BA	NEW RELEASE	13AUG2020	SB	AP
	BA1	SCHEDULE ADDED TO DRAWING	02NOV2023	DM	AP

FOR FURTHER INFORMATION SEE DATA SHEET FOR SERIES SM - SMD MOULDED POWER RESISTOR



RECOMMENDED LAND PATTERN



THIS DRAWING IS A CONTROLLED DOCUMENT.

DWN	23JUL2020
CHK	23JUL2020
APVD	23JUL2020
PRODUCT SPEC	
APPLICATION SPEC	
WEIGHT	



NAME
SMD MOULDED POWER RESISTORS
TYPE SMW7 SERIES

DIMENSIONS:	TOLERANCES UNLESS OTHERWISE SPECIFIED:
mm	
	0 PLC ± 0.2
	1 PLC ± 0.1
	2 PLC \pm
	3 PLC \pm
	4 PLC \pm
ANGLES	$\pm 5^\circ$
MATERIAL	FINISH
-	-
-	-

SIZE	CAGE CODE	DRAWING NO	RESTRICTED TO
A3	00779	C=2176459	-
CUSTOMER DRAWING		SCALE	SHEET
		3:1	1 OF 3
		REV	BA1

REVISIONS

P	LTR	DESCRIPTION	DATE	DWN	APVD
	-	SEE SHEET 1	-	-	-

SCHEDULE

TCPN	CATALOGUE NUMBER	PART DESCRIPTION	PART STATUS
2176459-1	SMW 7R10JT	SMW 7W R10 5% TAPED	PRODUCTION
2176459-2	SMW 7R11JT	SMW 7W R11 5% TAPED	PRODUCTION
2176459-3	SMW 7R12JT	SMW 7W R12 5% TAPED	PRODUCTION
2176459-4	SMW 7R13JT	SMW 7W R13 5% TAPED	PRODUCTION
2176459-5	SMW 7R15JT	SMW 7W R15 5% TAPED	PRODUCTION
2176459-6	SMW 7R16JT	SMW 7W R16 5% TAPED	PRODUCTION
2176459-7	SMW 7R18JT	SMW 7W R18 5% TAPED	PRODUCTION
2176459-8	SMW 7R20JT	SMW 7W R20 5% TAPED	PRODUCTION
2176459-9	SMW 7R22JT	SMW 7W R22 5% TAPED	PRODUCTION
1-2176459-0	SMW 7R24JT	SMW 7W R24 5% TAPED	PRODUCTION
1-2176459-1	SMW 7R27JT	SMW 7W R27 5% TAPED	PRODUCTION
1-2176459-2	SMW 7R30JT	SMW 7W R30 5% TAPED	PRODUCTION
1-2176459-3	SMW 7R33JT	SMW 7W R33 5% TAPED	PRODUCTION
1-2176459-4	SMW 7R36JT	SMW 7W R36 5% TAPED	PRODUCTION
1-2176459-5	SMW 7R39JT	SMW 7W R39 5% TAPED	PRODUCTION
1-2176459-6	SMW 7R43JT	SMW 7W R43 5% TAPED	PRODUCTION
1-2176459-7	SMW 7R47JT	SMW 7W R47 5% TAPED	PRODUCTION
1-2176459-8	SMW 7R51JT	SMW 7W R51 5% TAPED	PRODUCTION
1-2176459-9	SMW 7R56JT	SMW 7W R56 5% TAPED	PRODUCTION
2-2176459-0	SMW 7R62JT	SMW 7W R62 5% TAPED	PRODUCTION
2-2176459-1	SMW 7R68JT	SMW 7W R68 5% TAPED	PRODUCTION
2-2176459-2	SMW 7R75JT	SMW 7W R75 5% TAPED	PRODUCTION
2-2176459-3	SMW 7R82JT	SMW 7W R82 5% TAPED	PRODUCTION
2-2176459-4	SMW 7R91JT	SMW 7W R91 5% TAPED	PRODUCTION
2-2176459-5	SMW 71R0JT	SMW 7W 1R0 5% TAPED	PRODUCTION
2-2176459-6	SMW 71R1JT	SMW 7W 1R1 5% TAPED	PRODUCTION
2-2176459-7	SMW 71R2JT	SMW 7W 1R2 5% TAPED	PRODUCTION
2-2176459-8	SMW 71R3JT	SMW 7W 1R3 5% TAPED	PRODUCTION
2-2176459-9	SMW 71R5JT	SMW 7W 1R5 5% TAPED	PRODUCTION
3-2176459-0	SMW 71R6JT	SMW 7W 1R6 5% TAPED	PRODUCTION
3-2176459-1	SMW 71R8JT	SMW 7W 1R8 5% TAPED	PRODUCTION
3-2176459-2	SMW 72R0JT	SMW 7W 2R0 5% TAPED	PRODUCTION
3-2176459-3	SMW 72R2JT	SMW 7W 2R2 5% TAPED	PRODUCTION

SCHEDULE

TCPN	CATALOGUE NUMBER	PART DESCRIPTION	PART STATUS
3-2176459-4	SMW 72R4JT	SMW 7W 2R4 5% TAPED	PRODUCTION
3-2176459-5	SMW 72R7JT	SMW 7W 2R7 5% TAPED	PRODUCTION
3-2176459-6	SMW 73R0JT	SMW 7W 3R0 5% TAPED	PRODUCTION
3-2176459-7	SMW 73R3JT	SMW 7W 3R3 5% TAPED	PRODUCTION
3-2176459-8	SMW 73R6JT	SMW 7W 3R6 5% TAPED	PRODUCTION
3-2176459-9	SMW 73R9JT	SMW 7W 3R9 5% TAPED	PRODUCTION
4-2176459-0	SMW 74R3JT	SMW 7W 4R3 5% TAPED	PRODUCTION
4-2176459-1	SMW 74R7JT	SMW 7W 4R7 5% TAPED	PRODUCTION
4-2176459-2	SMW 75R1JT	SMW 7W 5R1 5% TAPED	PRODUCTION
4-2176459-3	SMW 75R6JT	SMW 7W 5R6 5% TAPED	PRODUCTION
4-2176459-4	SMW 76R2JT	SMW 7W 6R2 5% TAPED	PRODUCTION
4-2176459-5	SMW 76R8JT	SMW 7W 6R8 5% TAPED	PRODUCTION
4-2176459-6	SMW 77R5JT	SMW 7W 7R5 5% TAPED	PRODUCTION
4-2176459-7	SMW 78R2JT	SMW 7W 8R2 5% TAPED	PRODUCTION
4-2176459-8	SMW 79R1JT	SMW 7W 9R1 5% TAPED	PRODUCTION
4-2176459-9	SMW 710RJT	SMW 7W 10R 5% TAPED	PRODUCTION
5-2176459-0	SMW 711RJT	SMW 7W 11R 5% TAPED	PRODUCTION
5-2176459-1	SMW 712RJT	SMW 7W 12R 5% TAPED	PRODUCTION
5-2176459-2	SMW 713RJT	SMW 7W 13R 5% TAPED	PRODUCTION
5-2176459-3	SMW 715RJT	SMW 7W 15R 5% TAPED	PRODUCTION
5-2176459-4	SMW 716RJT	SMW 7W 16R 5% TAPED	PRODUCTION
5-2176459-5	SMW 718RJT	SMW 7W 18R 5% TAPED	PRODUCTION
5-2176459-6	SMW 720RJT	SMW 7W 20R 5% TAPED	PRODUCTION
5-2176459-7	SMW 722RJT	SMW 7W 22R 5% TAPED	PRODUCTION
5-2176459-8	SMW 724RJT	SMW 7W 24R 5% TAPED	PRODUCTION
5-2176459-9	SMW 727RJT	SMW 7W 27R 5% TAPED	PRODUCTION
6-2176459-0	SMW 730RJT	SMW 7W 30R 5% TAPED	PRODUCTION
6-2176459-1	SMW 733RJT	SMW 7W 33R 5% TAPED	PRODUCTION
6-2176459-2	SMW 736RJT	SMW 7W 36R 5% TAPED	PRODUCTION
6-2176459-3	SMW 739RJT	SMW 7W 39R 5% TAPED	PRODUCTION
6-2176459-4	SMW 743RJT	SMW 7W 43R 5% TAPED	PRODUCTION
6-2176459-5	SMW 747RJT	SMW 7W 47R 5% TAPED	PRODUCTION
6-2176459-6	SMW 751RJT	SMW 7W 51R 5% TAPED	PRODUCTION

THIS DRAWING IS A CONTROLLED DOCUMENT.

DWN 23JUL2020
SHRICHARANA B

CHK 23JUL2020
ALLAN.P

APVD 23JUL2020
ALLAN.P

PRODUCT SPEC

APPLICATION SPEC

WEIGHT

CUSTOMER DRAWING



TE Connectivity

NAME
SMD MOULDED POWER RESISTORS
TYPE SMW 7 SERIES

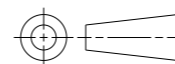
SIZE CAGE CODE DRAWING NO RESTRICTED TO

A3 00779 C-2176459

SCALE 3:1 SHEET 2 OF 3 REV BA1

DIMENSIONS:

mm



TOLERANCES UNLESS OTHERWISE SPECIFIED:

0 PLC	±0.2
1 PLC	±0.1
2 PLC	±
3 PLC	±
4 PLC	±
ANGLES	±5°

MATERIAL

FINISH

REVISIONS

P	LTR	DESCRIPTION	DATE	DWN	APVD
-		SEE SHEET 1	-	-	-


SCHEDULE

TCPN	CATALOGUE NUMBER	PART DESCRIPTION	PART STATUS
6-2176459-7	SMW 756RJT	SMW 7W 56R 5% TAPED	PRODUCTION
6-2176459-8	SMW 762RJT	SMW 7W 62R 5% TAPED	PRODUCTION
6-2176459-9	SMW 768RJT	SMW 7W 68R 5% TAPED	PRODUCTION
7-2176459-0	SMW 775RJT	SMW 7W 75R 5% TAPED	PRODUCTION
7-2176459-1	SMW 782RJT	SMW 7W 82R 5% TAPED	PRODUCTION
7-2176459-2	SMW 791RJT	SMW 7W 91R 5% TAPED	PRODUCTION
7-2176459-3	SMW 7100RJT	SMW 7W 100R 5% TAPED	PRODUCTION
7-2176459-4	SMW 7110RJT	SMW 7W 110R 5% TAPED	PRODUCTION
7-2176459-5	SMW 7120RJT	SMW 7W 120R 5% TAPED	PRODUCTION
7-2176459-6	SMW 7130RJT	SMW 7W 130R 5% TAPED	PRODUCTION
7-2176459-7	SMW 7150RJT	SMW 7W 150R 5% TAPED	PRODUCTION
7-2176459-8	SMW 7160RJT	SMW 7W 160R 5% TAPED	PRODUCTION
7-2176459-9	SMW 7180RJT	SMW 7W 180R 5% TAPED	PRODUCTION
8-2176459-0	SMW 7200RJT	SMW 7W 200R 5% TAPED	PRODUCTION
8-2176459-1	SMW 7220RJT	SMW 7W 220R 5% TAPED	PRODUCTION
8-2176459-2	SMW 7240RJT	SMW 7W 240R 5% TAPED	PRODUCTION
8-2176459-3	SMW 7270RJT	SMW 7W 270R 5% TAPED	PRODUCTION
8-2176459-4	SMW 7300RJT	SMW 7W 300R 5% TAPED	PRODUCTION
8-2176459-5	SMW 7330RJT	SMW 7W 330R 5% TAPED	PRODUCTION
8-2176459-6	SMW 7360RJT	SMW 7W 360R 5% TAPED	PRODUCTION
8-2176459-7	SMW 7390RJT	SMW 7W 390R 5% TAPED	PRODUCTION
8-2176459-8	SMW 7430RJT	SMW 7W 430R 5% TAPED	PRODUCTION
8-2176459-9	SMW 7470RJT	SMW 7W 470R 5% TAPED	PRODUCTION
9-2176459-0	SMW 7510RJT	SMW 7W 510R 5% TAPED	PRODUCTION
9-2176459-1	SMW 7560RJT	SMW 7W 560R 5% TAPED	PRODUCTION
9-2176459-2	SMW 7620RJT	SMW 7W 620R 5% TAPED	PRODUCTION
9-2176459-3	SMW 7680RJT	SMW 7W 680R 5% TAPED	PRODUCTION
9-2176459-4	SMW 7750RJT	SMW 7W 750R 5% TAPED	PRODUCTION
9-2176459-5	SMW 7820RJT	SMW 7W 820R 5% TAPED	PRODUCTION
9-2176459-6	SMW 7910RJT	SMW 7W 910R 5% TAPED	PRODUCTION
9-2176459-7	SMW 71K0JT	SMW 7W 1K0 5% TAPED	PRODUCTION

THIS DRAWING IS A CONTROLLED DOCUMENT.

DIMENSIONS:	TOLERANCES UNLESS OTHERWISE SPECIFIED:
mm	
	0 PLC ±0.2 1 PLC ±0.1 2 PLC ± 3 PLC ± 4 PLC ± ANGLES ±5°
MATERIAL	FINISH
-	-
-	-

DWN	23JUL2020
CHK	SHRICHARANA B
APVD	23JUL2020
PRODUCT SPEC	ALLAN.P
APPLICATION SPEC	ALLAN.P
WEIGHT	-
CUSTOMER DRAWING	



TE Connectivity

NAME
SMD MOULDED POWER RESISTORS
TYPE SMW 7 SERIES

SIZE	CAGE CODE	DRAWING NO	RESTRICTED TO
A3	00779	©=2176459	-

SCALE 3:1 SHEET 3 OF 3 REV BA1