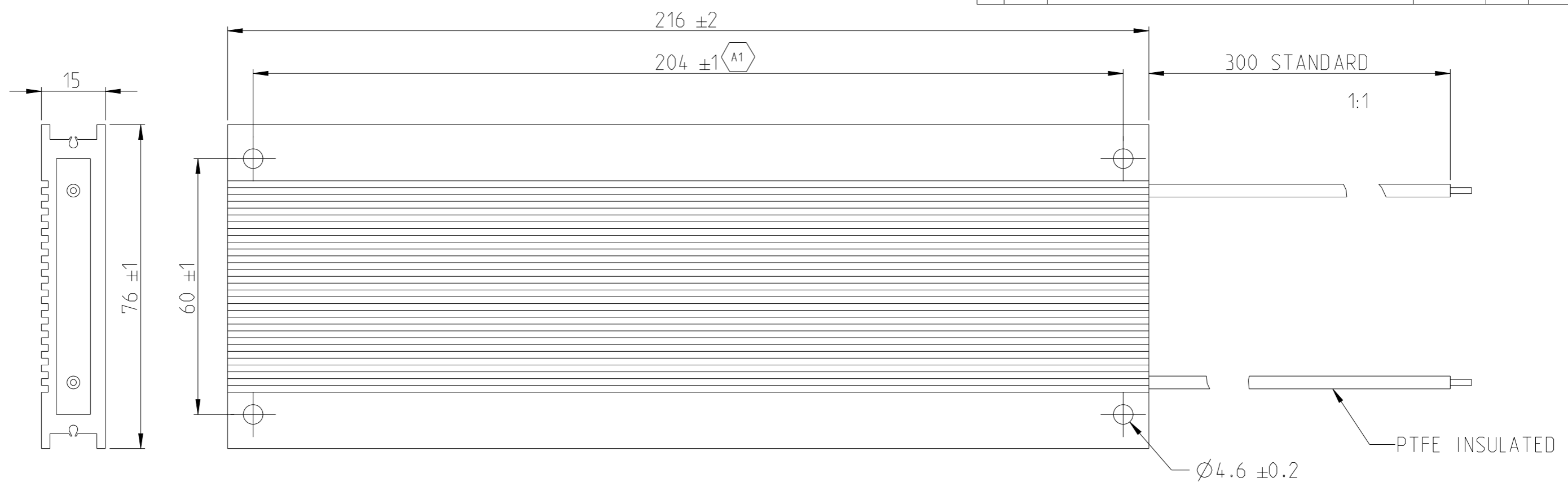
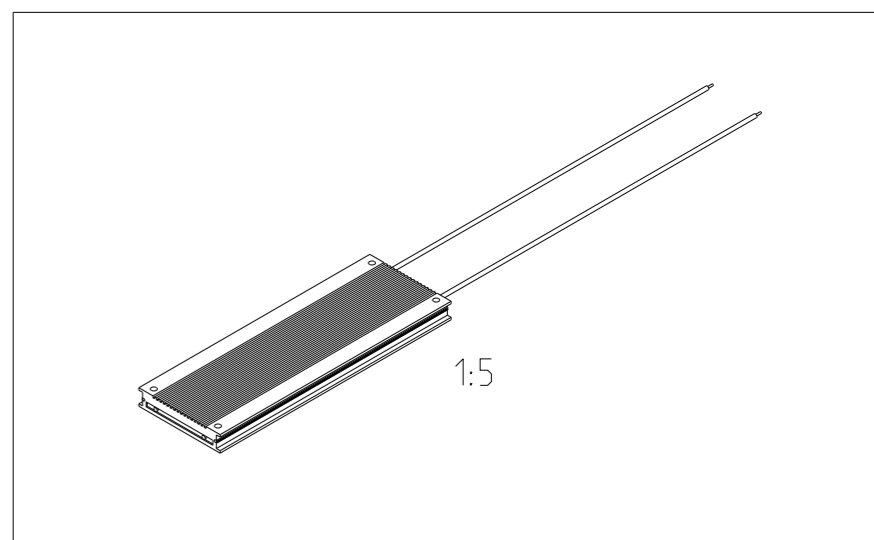


REVISIONS					
P	LTR	DESCRIPTION	DATE	DWN	APVD
	A	INITIAL RELEASE	04MAR2020	SR	AP
	A1	MOUNTING HOLE PITCH TOLERANCE CHANGE	21SEP2022	DM	AP



NOTE 1: FOR FURTHER INFORMATION PLEASE SEE DATASHEET FOR ALUMINIUM HOUSED BRAKING RESISTOR - TYPE HCF SERIES


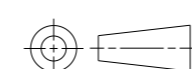


THIS DRAWING IS A CONTROLLED DOCUMENT.		DWN	04MAR2020			ALUMINIUM HOUSED BRAKING RESISTOR -TYPE HCF216	
		CHK	04MAR2020				
		APVD	04MAR2020				
		PRODUCT SPEC	-				
DIMENSIONS:		TOLERANCES UNLESS OTHERWISE SPECIFIED:		NAME		RESTRICTED TO	
mm				-		-	
		0 PLC	±		SIZE		A3
		1 PLC	±		CAGE CODE		
		2 PLC	±		DRAWING NO		C=2176445
		3 PLC	±		SCALE		
		4 PLC	±		SHEET		1 OF 2
		ANGLES	±		REV		
MATERIAL		FINISH		CUSTOMER DRAWING			
-		-		-			
-		-		-			

REVISIONS

P	LTR	DESCRIPTION	DATE	DWN	APVD
-		SEE SHEET 1	-	-	-

SCHEDULE			
TCPN	CATALOGUE NUMBER	PART DESCRIPTION	PART STATUS
2176445-1	HCF216J10RJ	HCF216 200W 10R 5% LEAD	PRODUCTION
2176445-2	HCF216J22RJ	HCF216 200W 22R 5% LEAD	PRODUCTION
2176445-3	HCF216J33RJ	HCF216 200W 33R 5% LEAD	PRODUCTION
2176445-4	HCF216J47RJ	HCF216 200W 47R 5% LEAD	PRODUCTION
2176445-5	HCF216J68RJ	HCF216 200W 68R 5% LEAD	PRODUCTION
2176445-6	HCF216J100RJ	HCF216 200W 100R 5% LEAD	PRODUCTION
2176445-7	HCF216J150RJ	HCF216 200W 150R 5% LEAD	PRODUCTION
2176445-8	HCF216J220RJ	HCF216 200W 220R 5% LEAD	PRODUCTION
2176445-9	HCF216J330RJ	HCF216 200W 330R 5% LEAD	PRODUCTION
1-2176445-0	HCF216J470RJ	HCF216 200W 470R 5% LEAD	PRODUCTION
1-2176445-1	HCF216J680RJ	HCF216 200W 680R 5% LEAD	PRODUCTION
1-2176445-2	HCF216J1K0J	HCF216 200W 1K0 5% LEAD	PRODUCTION

THIS DRAWING IS A CONTROLLED DOCUMENT.		DWN SUPREETH R 04MAR2020			
		CHK A. PILE 04MAR2020			
DIMENSIONS: mm		APVD A. PILE 04MAR2020	NAME ALUMINIUM HOUSED BRAKING RESISTOR -TYPE HCF216		
		PRODUCT SPEC -	RESTRICTED TO -		
TOLERANCES UNLESS OTHERWISE SPECIFIED:		APPLICATION SPEC -	SIZE A3	CAGE CODE 00779	DRAWING NO C=2176445
MATERIAL -		WEIGHT -	SCALE 1:1		
FINISH -		CUSTOMER DRAWING	SHEET 2 OF 2	REV A1	