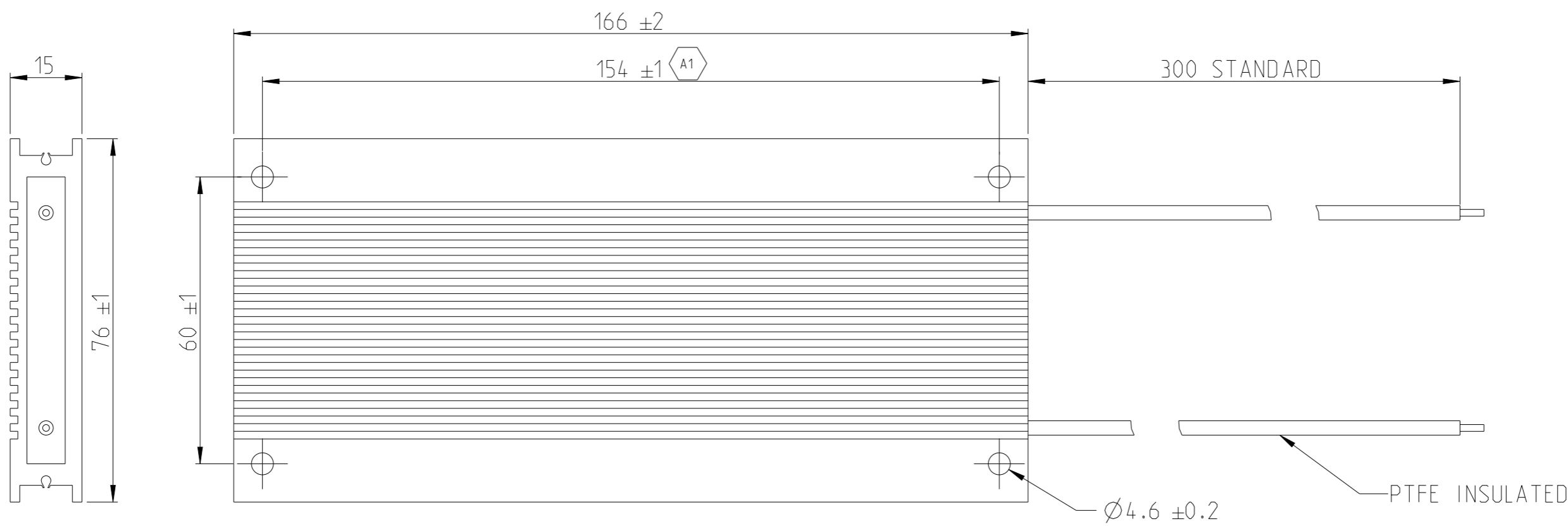
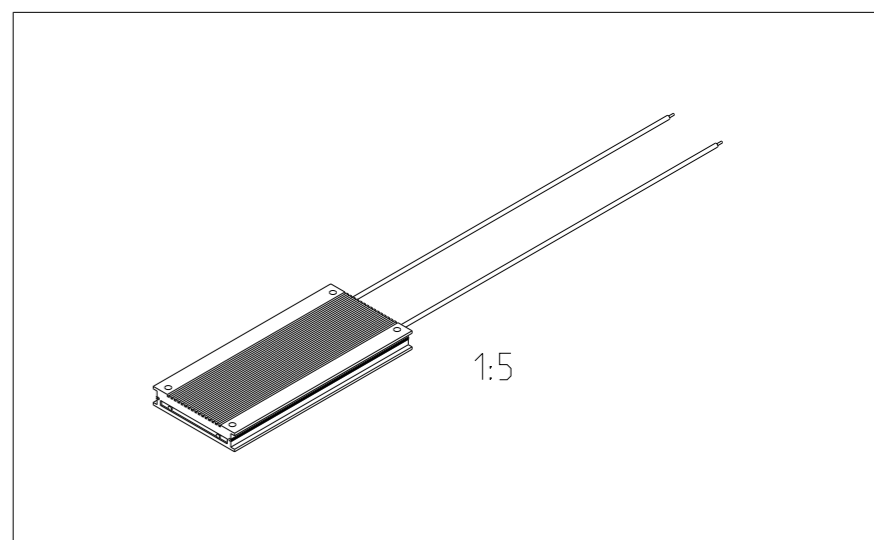

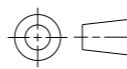


P	LTR	DESCRIPTION	DATE	DWN	APVD
	A	INITIAL RELEASE	04MAR2020	SR	AP
	A1	MOUNTING HOLE PITCH TOLERANCE CHANGE	21SEP2022	DM	AP



NOTE 1: FOR FURTHER INFORMATION PLEASE SEE DATASHEET FOR ALUMINIUM HOUSED BRAKING RESISTOR - TYPE HCF SERIES



THIS DRAWING IS A CONTROLLED DOCUMENT.		DWN	04MAR2020	 TE Connectivity	
		CHK	04MAR2020		
		APVD	04MAR2020		
		PRODUCT SPEC	A. PILE		
		APPLICATION SPEC	-	NAME	
		WEIGHT	-	ALUMINIUM HOUSED BRAKING RESISTOR -TYPE HCF166	
DIMENSIONS: mm		TOLERANCES UNLESS OTHERWISE SPECIFIED:		SIZE	CAGE CODE
		0 PLC	±	A3	00779
		1 PLC	±	DRAWING NO	
		2 PLC	±	C=2176444	
		3 PLC	±	RESTRICTED TO	
		4 PLC	±	-	
		ANGLES	±	-	
MATERIAL		FINISH	-	SCALE	SHEET
-		-	-	1:1	1 OF 2
-		-	-	REV	
		CUSTOMER DRAWING		A1	

REVISIONS

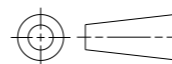
P	LTR	DESCRIPTION	DATE	DWN	APVD
	-	SEE SHEET 1	-	-	-

SCHEDULE

TCPN	CATALOGUE NUMBER	PART DESCRIPTION	PART STATUS
2176444-1	HCF166J10RJ	HCF166 160W 10R 5% LEAD	PRODUCTION
2176444-2	HCF166J22RJ	HCF166 160W 22R 5% LEAD	PRODUCTION
2176444-3	HCF166J33RJ	HCF166 160W 33R 5% LEAD	PRODUCTION
2176444-4	HCF166J47RJ	HCF166 160W 47R 5% LEAD	PRODUCTION
2176444-5	HCF166J68RJ	HCF166 160W 68R 5% LEAD	PRODUCTION
2176444-6	HCF166J100RJ	HCF166 160W 100R 5% LEAD	PRODUCTION
2176444-7	HCF166J150RJ	HCF166 160W 150R 5% LEAD	PRODUCTION
2176444-8	HCF166J220RJ	HCF166 160W 220R 5% LEAD	PRODUCTION
2176444-9	HCF166J330RJ	HCF166 160W 330R 5% LEAD	PRODUCTION
1-2176444-0	HCF166J470RJ	HCF166 160W 470R 5% LEAD	PRODUCTION
1-2176444-1	HCF166J680RJ	HCF166 160W 680R 5% LEAD	PRODUCTION
1-2176444-2	HCF166J1K0J	HCF166 160W 1K0 5% LEAD	PRODUCTION

THIS DRAWING IS A CONTROLLED DOCUMENT.

DIMENSIONS:  
mm



TOLERANCES UNLESS OTHERWISE SPECIFIED:

0 PLC	±
1 PLC	±
2 PLC	±
3 PLC	±
4 PLC	±
ANGLES	±

MATERIAL

-

FINISH

-

DWN SUPREETH R 04MAR2020

CHK A. PILE 04MAR2020

APVD A. PILE 04MAR2020

PRODUCT SPEC

-

APPLICATION SPEC

-

WEIGHT

-

CUSTOMER DRAWING



TE Connectivity

NAME ALUMINIUM HOUSED BRAKING RESISTOR  
-TYPE HCF166

SIZE	CAGE CODE	DRAWING NO	RESTRICTED TO
------	-----------	------------	---------------

A3	00779	©=2176444	-
----	-------	-----------	---

SCALE 1:1	SHEET 2 OF 2	REV A1
-----------	--------------	--------