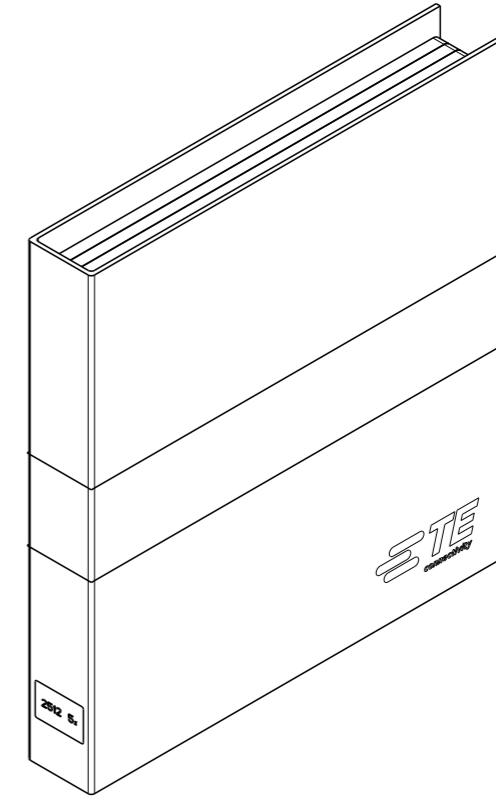
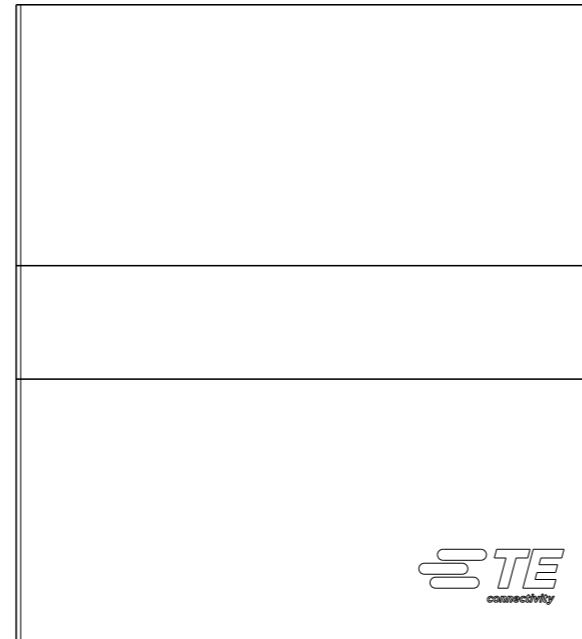
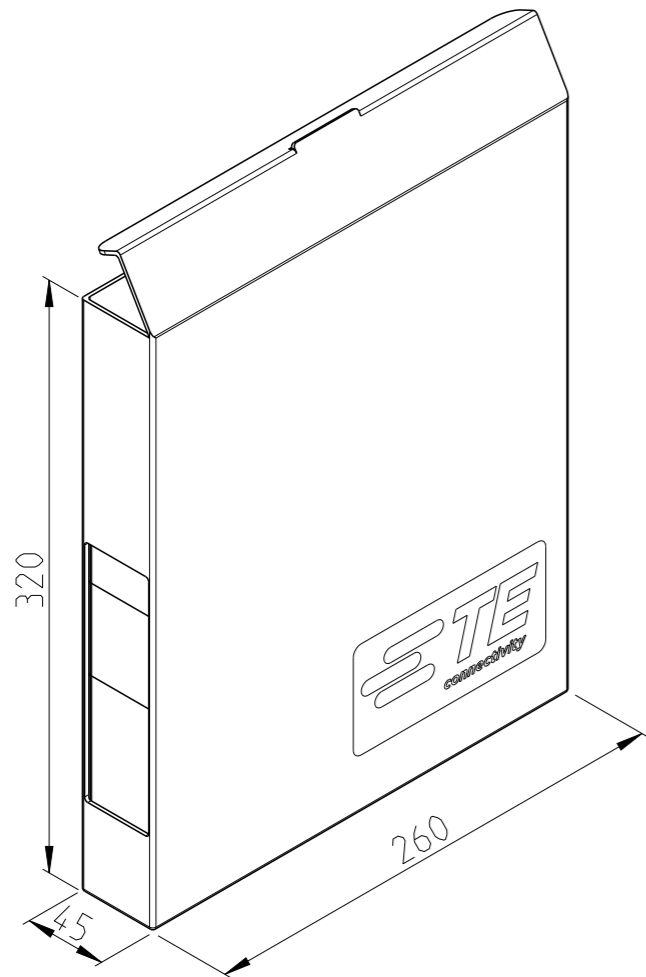


P	LTR	DESCRIPTION	DATE	DWN	APVD
	BA	INITIAL RELEASE	25SEP2019	SR	AP



ALL DIMENSIONS NOMINAL

MATERIAL DESCRIPTION	PRODUCT NUMBER	TCPN/DRAWING	ITEM
3522 3W 5% ZR, 1R0 - 1M0 LAB-KIT	3522J-LAB-KIT	2176439-8	8
3522 3W 1% ZR, 1R0 - 1M0 LAB-KIT	3522F-LAB-KIT	2176439-7	7
3521 2W 1% 1R0-1M0 LAB-KIT	3521F-LAB-KIT	2176439-6	6
CRGH 2512 5% 10R-1M0 LAB-KIT	CRGH2512J-LAB-KIT	2176439-5	5
CRGH 1206 1% 10R-1M0 LAB-KIT	CRGH1206F-LAB-KIT	2176439-4	4
CRGH 0805 1% 10R-1M0 LAB-KIT	CRGH0805F-LAB-KIT	2176439-3	3
CRGH 0603 1% 10R-1M0 LAB-KIT	CRGH0603F-LAB-KIT	2176439-2	2
CRGH 0402 1% 10R-1M0 LAB-KIT	CRGH0402F-LAB-KIT	2176439-1	1

THIS DRAWING IS A CONTROLLED DOCUMENT.		DWN 25SEP2019 SUPREETH R		
		CHK 25SEP2019 ALLAN P		
DIMENSIONS: mm 		TOLERANCES UNLESS OTHERWISE SPECIFIED: 0 PLC ± 1 PLC ± 2 PLC ± 3 PLC ± 4 PLC ± ANGLES ±		NAME HIGH POWER THICK FILM SMD RESISTOR LAB KITS
MATERIAL		FINISH		
		PRODUCT SPEC - APPLICATION SPEC - WEIGHT -		SIZE A3 CAGE CODE 00779 DRAWING NO C=2176439
		CUSTOMER DRAWING		RESTRICTED TO - SCALE NTS SHEET 1 OF 1 REV BA