

4

3

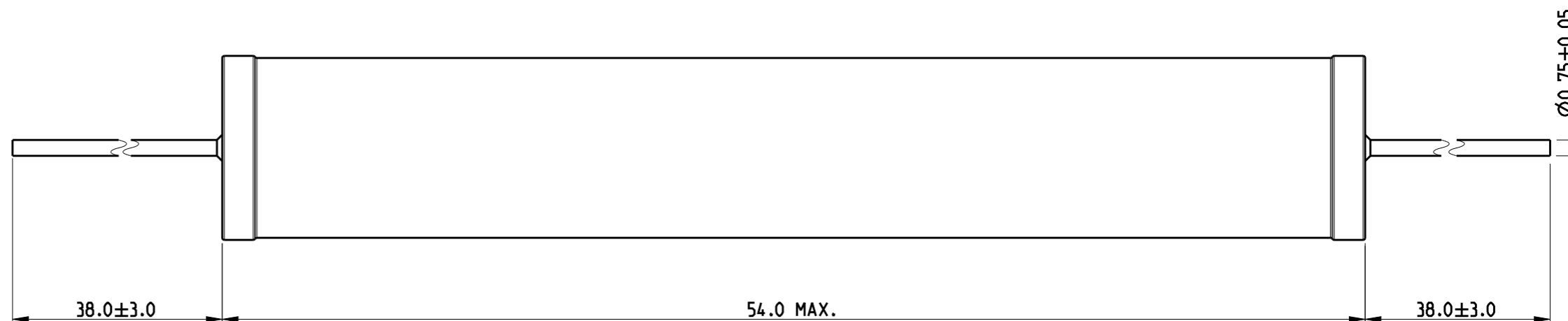
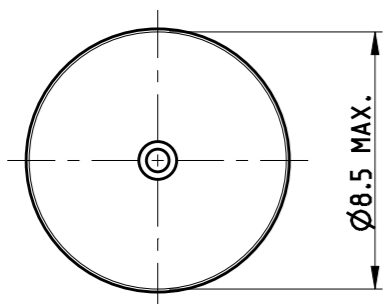
2

1

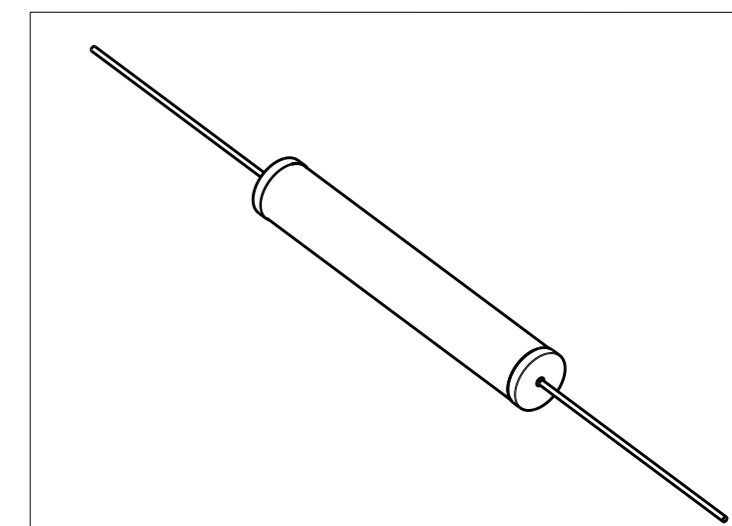
REVISIONS

P	LTR	DESCRIPTION	DATE	DWN	APVD
	A	NEW RELEASE	16JAN2019	SR	AP

FOR FURTHER INFORMATION SEE DATA SHEET FOR SERIES ROX. FLAME-PROOF POWER METAL OXIDE FILM RESISTORS



RoHS Compliant



THIS DRAWING IS A CONTROLLED DOCUMENT.

DWN 16JAN2019
 SUPREETH R
 CHK 16JAN2019
 ALLAN PILE
 APVD 16JAN2019
 ALLAN PILE



DIMENSIONS:	TOLERANCES UNLESS OTHERWISE SPECIFIED:
mm	
	0 PLC ± 0.2
	1 PLC ± 0.1
	2 PLC ± 0.1
	3 PLC ± 0.1
	4 PLC ± 0.1
ANGLES	$\pm 5^\circ$
MATERIAL	FINISH
-	-

PRODUCT SPEC -
 APPLICATION SPEC -
 WEIGHT -
 CUSTOMER DRAWING

NAME				RESTRICTED TO	
FLAME-PROOF POWER METAL OXIDE FILM RESISTORS SERIES ROX9				-	
SIZE	CAGE CODE	DRAWING NO			
A3	00779	C-2176416			
SCALE		SHEET	OF	REV	
4:1		1	1	A	