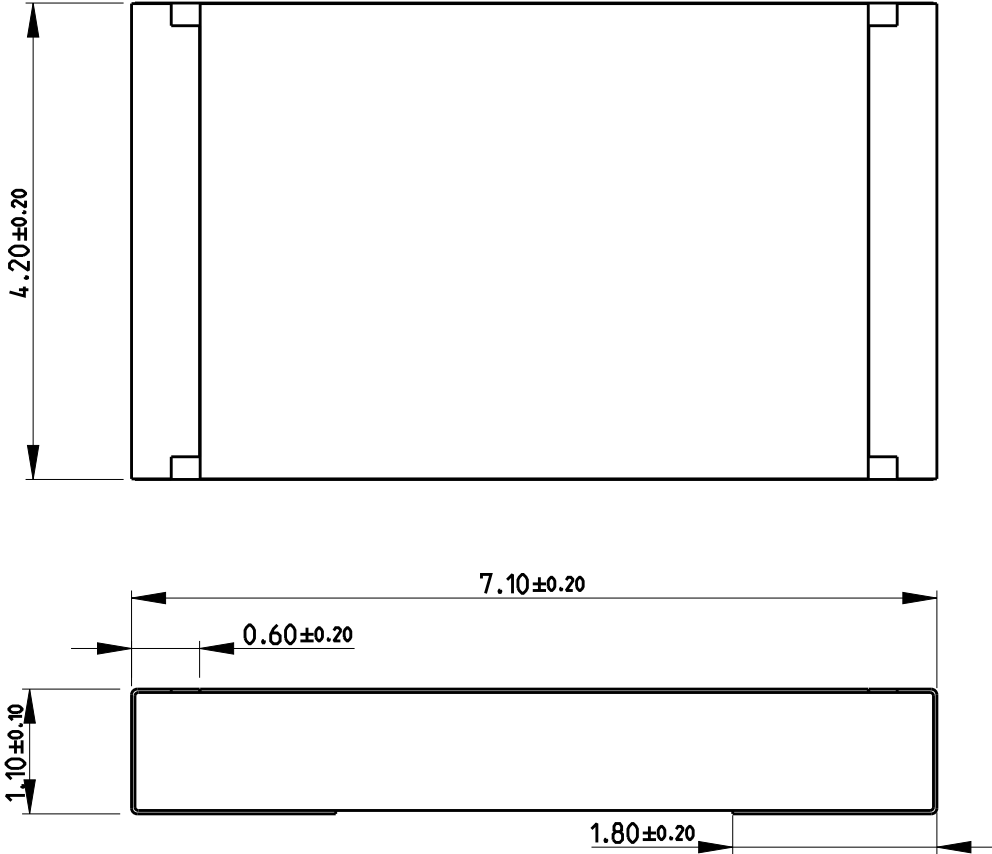


REVISIONS

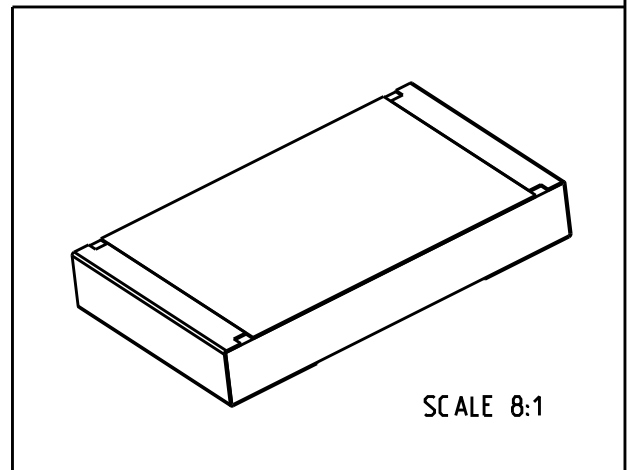
| P | LTR | DESCRIPTION | DATE | DWN | APVD |
|---|-----|-------------|-----------|-----|------|
| | A | NEW DRAWING | 23OCT2018 | SR | AP |
| | | | | | |
| | | | | | |



NOTES:

- FOR FURTHER INFORMATION SEE DATA SHEET FOR 3540 SERIES SMD HIGH POWER RESISTOR

RoHS Compliant


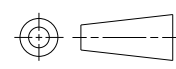


RELEASED FOR PUBLICATION

ALL RIGHTS RESERVED.

THIS DRAWING IS UNPUBLISHED.

© COPYRIGHT copyright_date BY -

| | | | | | | | |
|---|------|------------------|-----------|--|-----------|------------|---------------|
| DIMENSIONS: | | DWN SUPREETH R | 23OCT2018 | MATERIAL | - | FINISH | - |
| mm | | CHK ALLAN.P | 23OCT2018 |  TE Connectivity | | | |
| TOLERANCES UNLESS OTHERWISE SPECIFIED: | | APVD ALLAN.P | 23OCT2018 | | | | |
| 0 PLC | ±0.5 | PRODUCT SPEC | - | NAME SMD HIGH POWER RESISTOR TYPE | | | |
| 1 PLC | ±0.2 | APPLICATION SPEC | - | 3540 SERIES | | | |
| 2 PLC | ±0.1 | WEIGHT | - | SIZE | CAGE CODE | DRAWING NO | RESTRICTED TO |
| 3 PLC | ± | | | A 4 | 00779 | C-2176402 | - |
| 4 PLC | ± | | | | | | |
| ANGLES | ±5° | | | CUSTOMER DRAWING | | | SCALE 15:1 |
|  | | | | SHEET 1 OF 1 | | REV A | |