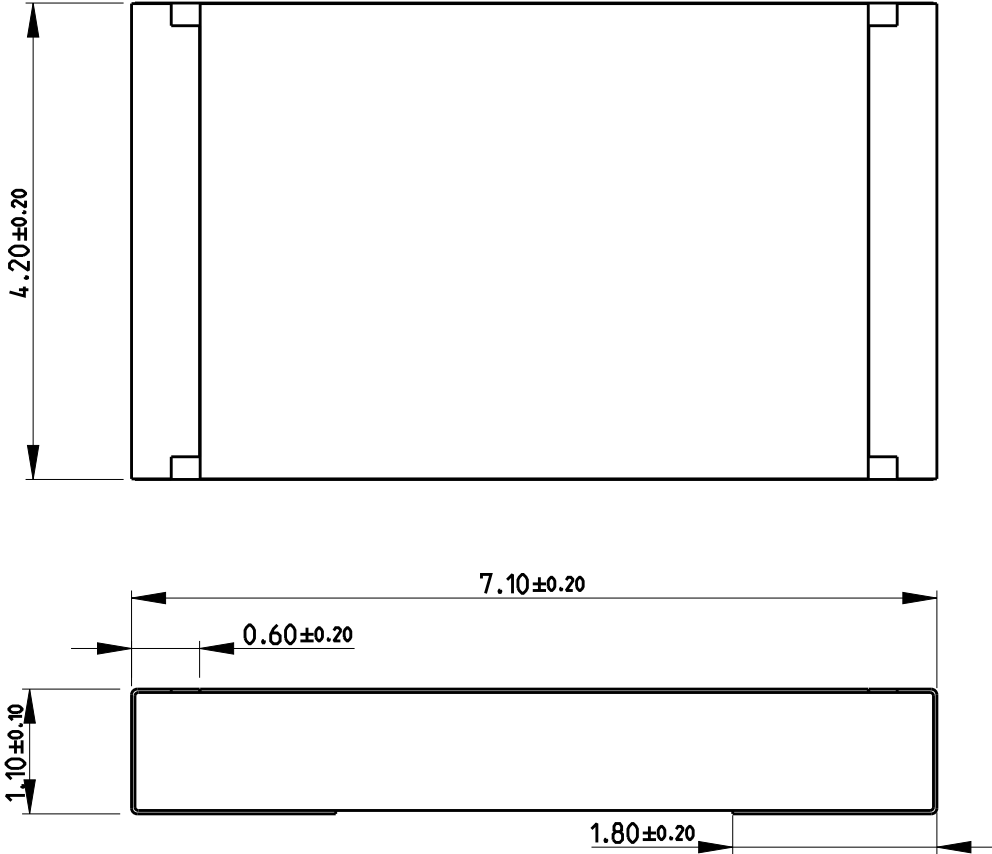


REVISIONS

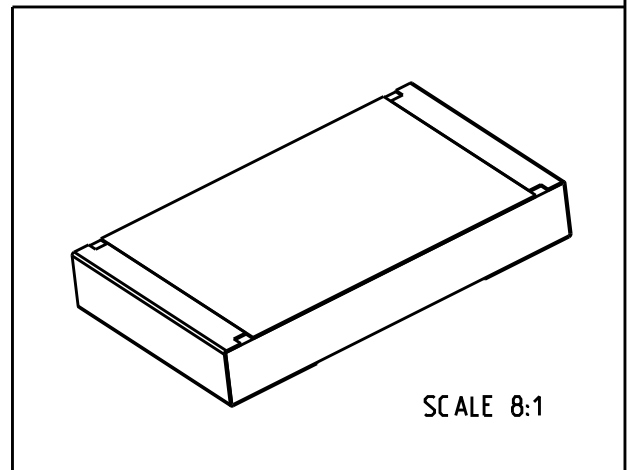
P	LTR	DESCRIPTION	DATE	DWN	APVD
	A	NEW DRAWING	23OCT2018	SR	AP



NOTES:

- FOR FURTHER INFORMATION SEE DATA SHEET FOR 3540 SERIES SMD HIGH POWER RESISTOR

RoHS Compliant



SCALE 8:1

RELEASED FOR PUBLICATION

ALL RIGHTS RESERVED.

THIS DRAWING IS UNPUBLISHED.

© COPYRIGHT copyright_date BY -

DIMENSIONS:		DWN	23OCT2018	MATERIAL	-	FINISH	-
mm		SUPREETH R					
TOLERANCES UNLESS OTHERWISE SPECIFIED:		CHK	23OCT2018				
0 PLC	±0.5	ALLAN.P		NAME SMD HIGH POWER RESISTOR TYPE 3540 SERIES			
1 PLC	±0.2	APVD	23OCT2018				
2 PLC	±0.1	ALLAN.P		SIZE	CAGE CODE	DRAWING NO	RESTRICTED TO
3 PLC	±	PRODUCT SPEC	-	A4	00779	C-2176401	-
4 PLC	±	APPLICATION SPEC	-	SCALE 15:1 SHEET 1 OF 1 REV A			
ANGLES	±5°	WEIGHT	-				
		CUSTOMER DRAWING					