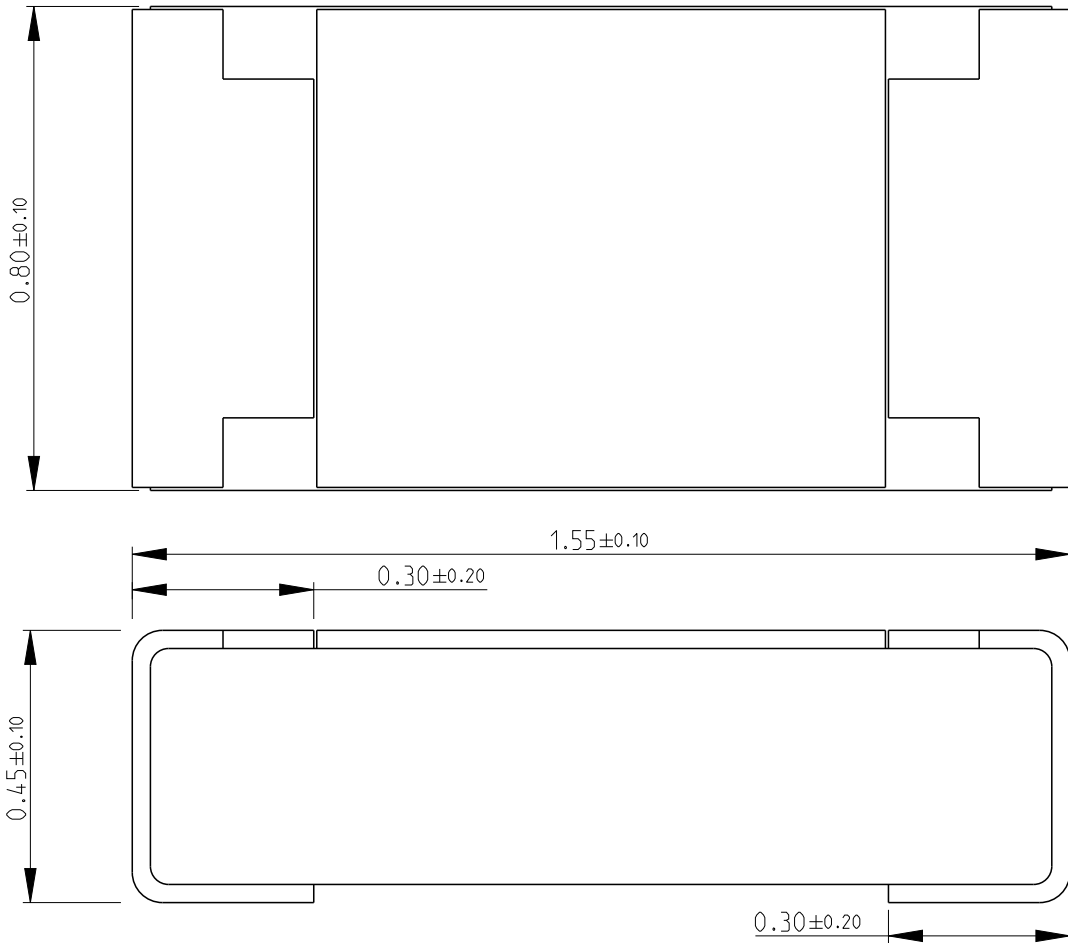


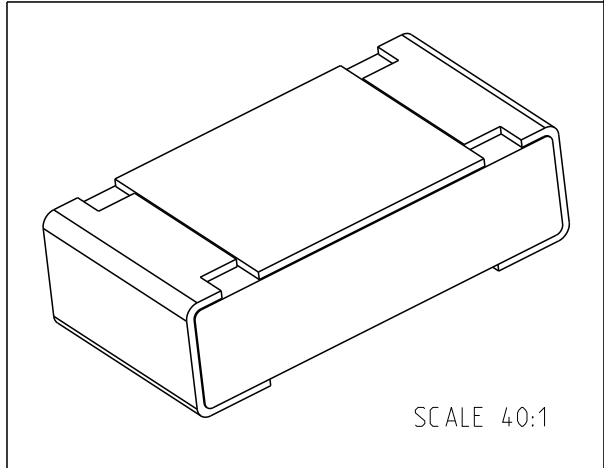
REVISIONS					
P	LTR	DESCRIPTION	DATE	DWN	APVD
	A	NEW DRAWING	21MAY2018	GCM	AP
	B	ECR-20-007392	28MAY2020	SR	AP



NOTES:

- FOR FURTHER INFORMATION SEE DATA SHEET FOR RQ73 SERIES AEC-Q200 THIN FILM PRECISION RESISTORS.

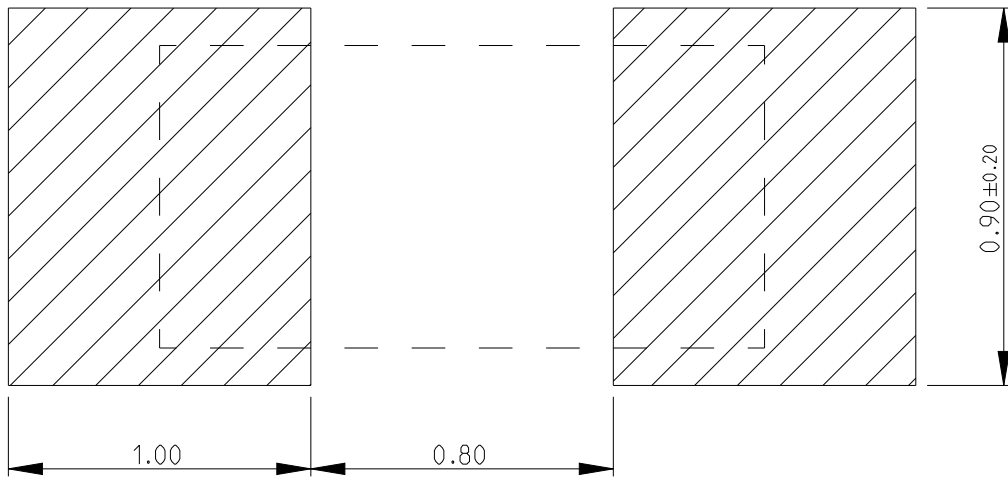
RoHS Compliant



© 2020 TE Connectivity. All Rights Reserved.


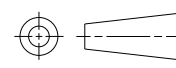
DIMENSIONS: mm	DWN GANESH C M	21MAY2018	MATERIAL	-	FINISH	-
	CHK ALLAN.P	21MAY2018				
TOLERANCES UNLESS OTHERWISE SPECIFIED:	APVD ALLAN.P	21MAY2018				
	PRODUCT SPEC	-	SIZE	CAGE CODE	DRAWING NO	RESTRICTED TO
	APPLICATION SPEC	-	A 4	00779	C=2176372	
0 PLC ±0.5 1 PLC ±0.2 2 PLC ±0.1 3 PLC ± 4 PLC ± ANGLES 5°	WEIGHT	-	CUSTOMER DRAWING		SCALE	80:1
				SHEET	1 OF 2	REV B

REVISIONS					
P	LTR	DESCRIPTION	DATE	DWN	APVD
-		SEE SHEET 1	-	-	-



RECOMMENDED LAND PATTERN

© 2020 TE Connectivity. All Rights Reserved.

DIMENSIONS: mm		DWN GANESH C M 21MAY2018	MATERIAL -	FINISH -		
TOLERANCES UNLESS OTHERWISE SPECIFIED: 0 PLC ±0.5 1 PLC ±0.2 2 PLC ±0.1 3 PLC ± 4 PLC ± ANGLES ±5°		CHK ALLAN.P 21MAY2018	 TE Connectivity			
		APVD ALLAN.P 21MAY2018				
		PRODUCT SPEC -	NAME SMD Thin Film Precision Resistors - AEC-Q200 Compliant - Type RQ73 0603 Series			
		APPLICATION SPEC -	SIZE A 4	CAGE CODE 00779	DRAWING NO C=2176372	RESTRICTED TO
WEIGHT -		CUSTOMER DRAWING		SCALE NTS	SHEET 2 OF 2	REV B