

THIS DRAWING IS UNPUBLISHED.

RELEASED FOR PUBLICATION

2008

© COPYRIGHT 2008

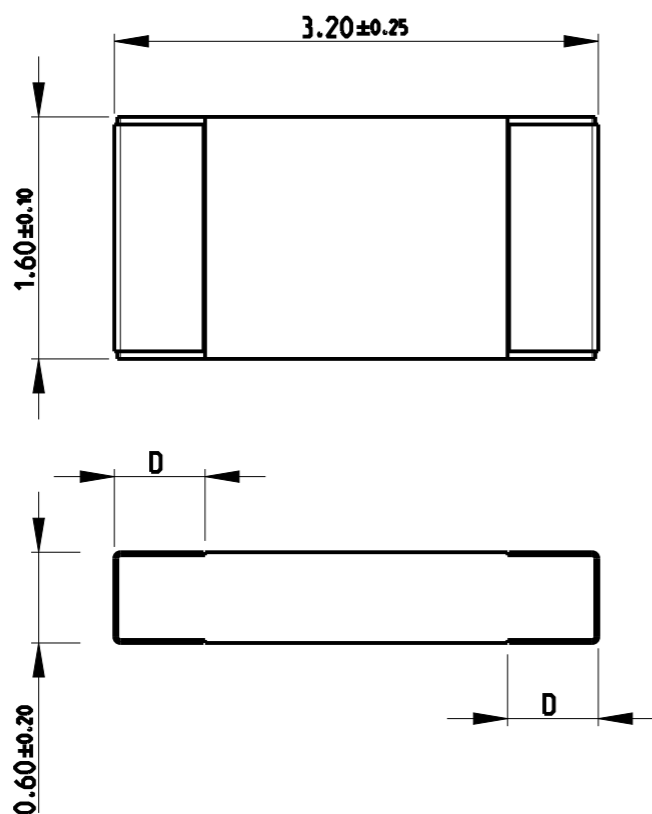
ALL RIGHTS RESERVED.

REVISIONS

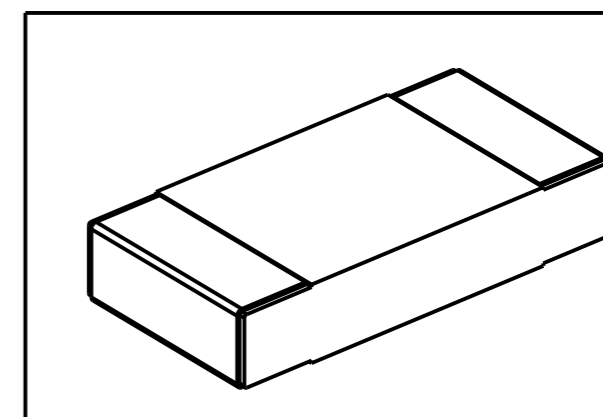
P	LTR	DESCRIPTION	DATE	DWN	APVD
	BA1	ECR-14-008099	30MAY2014	KR	TN
	BA2	ECR-14-011665	02AUG2014	KR	TN

FOR FURTHER INFORMATION SEE DATA SHEET FOR TLR SERIES-SMD HIGH POWER CURRENT SENSE RESISTORS

COMPLETE TIN	PRODUCT NUMBER	MATERIAL DESCRIPTION	L	W	T	D	WEIGHT / 1000
2176117-1	TLR2B10DR005FTDG	TLR 1206 1.0W R005 1% 50PPM 2K RL	3.2±0.25	1.60±0.10	0.60±0.20	1.10±0.25	22.6
2176117-2	TLR2B10DR010FTDG	TLR 1206 1.0W R010 1% 50PPM 2K RL	3.2±0.25	1.60±0.10	0.60±0.20	0.60±0.25	22.6
2176117-3	TLR2B10DR001FTDG	TLR 1206 1.0W R001 1% 50PPM 2K RL	3.2±0.25	1.60±0.10	0.60±0.20	1.10±0.25	22.6
2176117-4	TLR2B10DR002FTDG	TLR 1206 1.0W R002 1% 50PPM 2K RL	3.2±0.25	1.60±0.10	0.60±0.20	0.60±0.25	22.6
2176117-5	TLR2B10DR003FTDG	TLR 1206 1.0W R003 1% 50PPM 2K RL	3.2±0.25	1.60±0.10	0.60±0.20	0.60±0.25	22.6
2176117-6	TLR2B10DR004FTDG	TLR 1206 1.0W R004 1% 50PPM 2K RL	3.2±0.25	1.60±0.10	0.60±0.20	1.10±0.25	22.6
2176117-7	TLR2B10DR006FTDG	TLR 1206 1.0W R006 1% 50PPM 2K RL	3.2±0.25	1.60±0.10	0.60±0.20	1.10±0.25	22.6
2176117-8	TLR2B10DR007FTDG	TLR 1206 1.0W R007 1% 50PPM 2K RL	3.2±0.25	1.60±0.10	0.60±0.20	0.90±0.25	22.6
2176117-9	TLR2B10DR008FTDG	TLR 1206 1.0W R008 1% 50PPM 2K RL	3.2±0.25	1.60±0.10	0.60±0.20	0.90±0.25	22.6
1-2176117-0	TLR2B10DR009FTDG	TLR 1206 1.0W R009 1% 50PPM 2K RL	3.2±0.25	1.60±0.10	0.60±0.20	0.90±0.25	22.6



RoHS Compliant



THIS DRAWING IS A CONTROLLED DOCUMENT.		DWN RAGHAVENDRA K 28MAY2012	TE Connectivity	
DIMENSIONS: mm		CHK ALLAN P 28MAY2012		
TOLERANCES UNLESS OTHERWISE SPECIFIED:		APVD STEPHEN P 28MAY2012	NAME SMD HIGH POWER - CURRENT SENSE RESISTORS, SERIES TLR - 2B	
0 PLC ±0.2		PRODUCT SPEC	-	
1 PLC ±0.1		APPLICATION SPEC	-	
2 PLC ±		WEIGHT	0.23 GR	RESTRICTED TO
3 PLC ±		Customer Drawing	A3 00779	C-2176117
4 PLC ±		SCALE	20:1	SHEET 1 OF 1
ANGLES ±5°		FINISH	-	REV BA2
MATERIAL		-	-	-