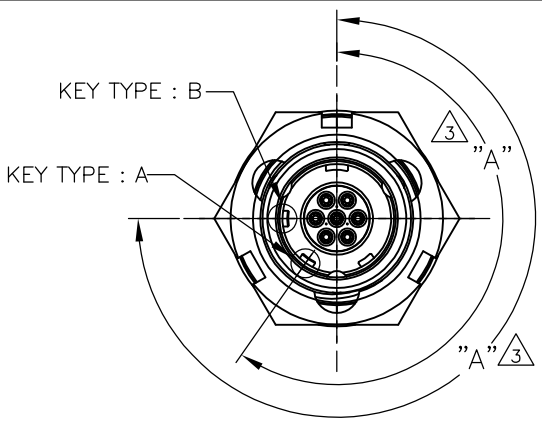


THIS DRAWING IS UNPUBLISHED. RELEASED FOR PUBLICATION FEB. 2012.
 © COPYRIGHT 2012 By Tyco Electronics Japan G.K. ALL RIGHTS RESERVED.

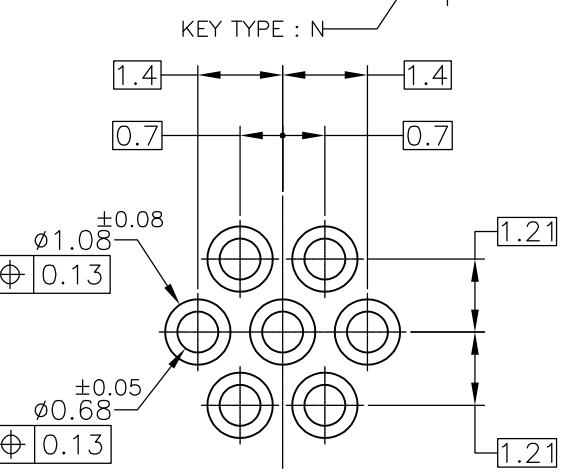
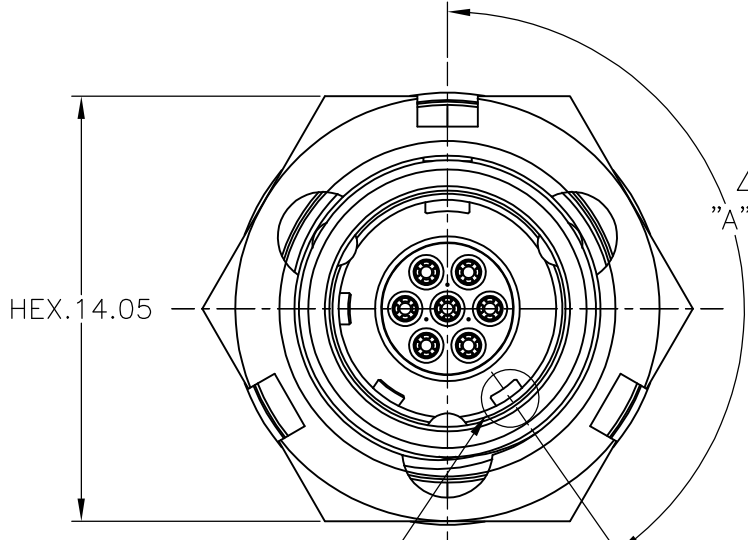
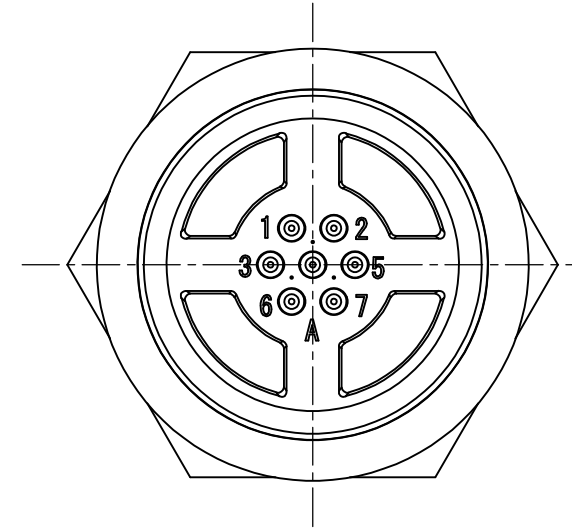
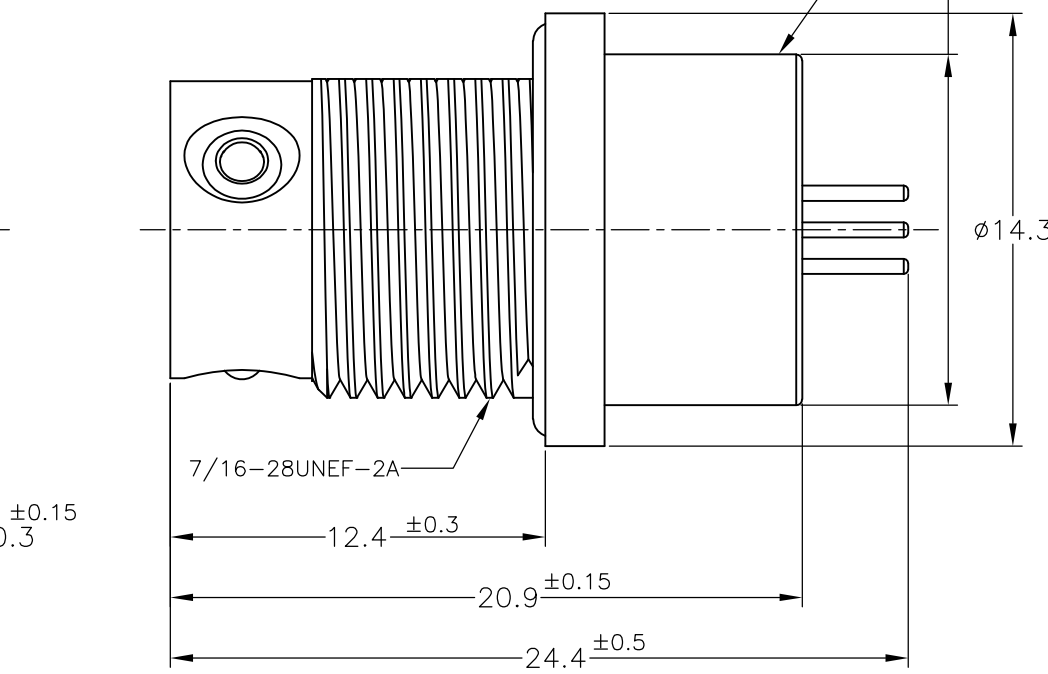
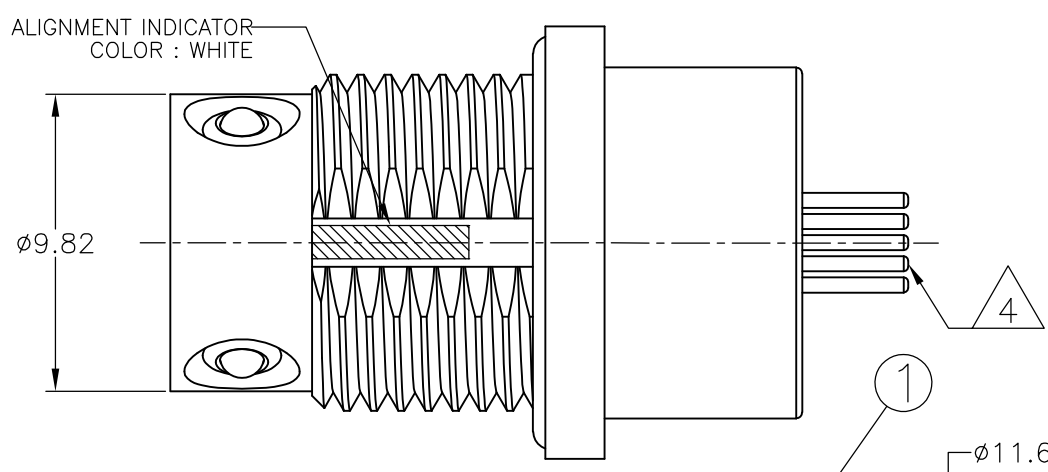
LOC	DIST	REVISIONS			
P	LTR	DESCRIPTION	DATE	DWN	APVD
—	—	A5 REVISED	24JUL2015	T.K	C.O

本図: 2174225-1
 AS SHOWN: 2174225-1

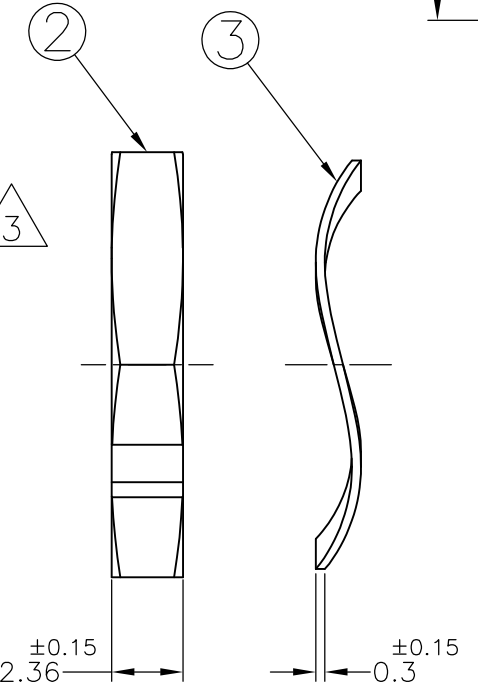
- ① MATERIAL: BRASS
 FINISH: BLACK Sn-Ni, OVER Ni (9 ~ 10um)
- ② MATERIAL: BRASS
 FINISH: Ni PLATING (3 ~ 6um)
- ③ KEY OPTION: TYPE N IS NORMAL POSITION.
 OPTION KEY IS TYPE A(-2) AND TYPE B(-3).



KEY POSITION OPTION
 SCALE 2:1



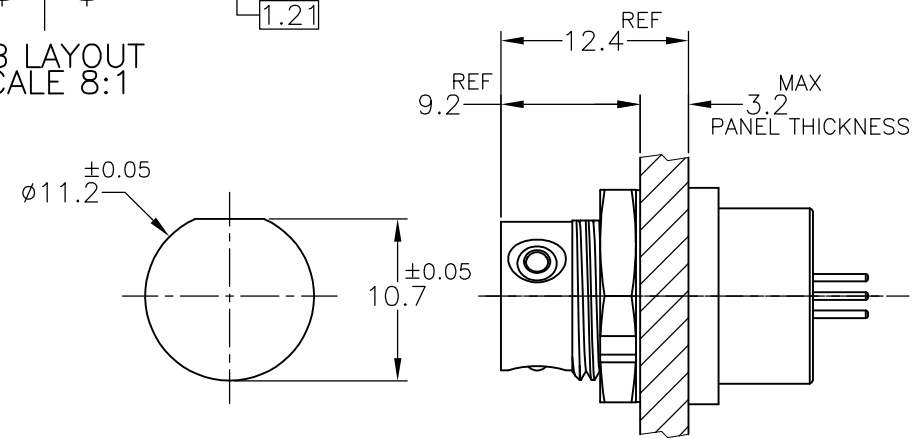
PCB LAYOUT
 SCALE 8:1



③ KEY POSITION

270°	TYPE B	2174225-3
215°	TYPE A	2174225-2
145°	TYPE N	2174225-1
DIM "A"	KEY TYPE	PART NUMBER

-3	-2	-1	PART NUMBER	ITEM
1	1	1	HEX. NUT	③
1	1	1	WAVE SPRING WASHER	②
1			CONNECTOR ASSEMBLY KEY-B	①
	1		CONNECTOR ASSEMBLY KEY-A	
		1	CONNECTOR ASSEMBLY KEY-N	
QTY			DESCRIPTION	ITEM



PANEL MOUNT REFERENCE DIMENSION
 SCALE 2:1

THIS DRAWING IS A CONTROLLED DOCUMENT.

DIMENSIONS:	TOLERANCES UNLESS OTHERWISE SPECIFIED:
mm	±0.1
0-PLC	±
1-PLC	±
2-PLC	±
3-PLC	±
4-PLC	±
ANGLES	±5°
MATERIAL	FINISH
	-

DWN T.SUGIYAMA 19FEB2012
 CHK T.TONOBE 07MAY2012
 APVD T.SUGIYAMA 07MAY2012

STE TE Connectivity

NAME: NMSMC 7P PUSH-PULL RECE PIN SOCKET / SOLDER TAIL CONNECTOR KIT

PRODUCT SPEC: 108-78938
 APPLICATION SPEC: 114-5503
 WEIGHT: 10.655g

SIZE: A3 CAGE CODE: 00779 DRAWING NO: C-2174225 RESTRICTED TO: -

CUSTOMER DRAWING SCALE: 4:1 SHEET: 1 OF 1 REV: A5