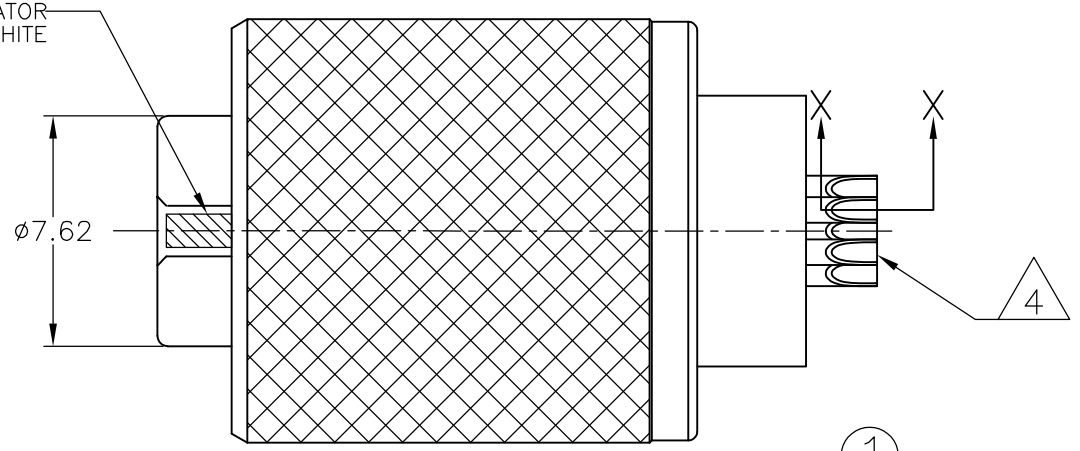
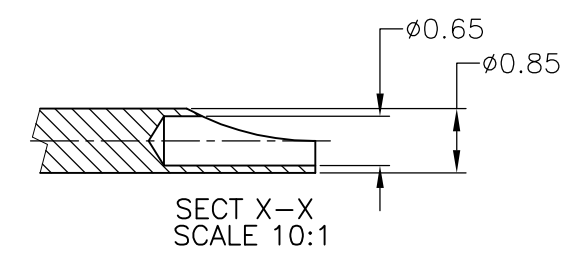


THIS DRAWING IS UNPUBLISHED. RELEASED FOR PUBLICATION FEB ,2012.
 © COPYRIGHT 2012 By Tyco Electronics Japan G.K. ALL RIGHTS RESERVED.

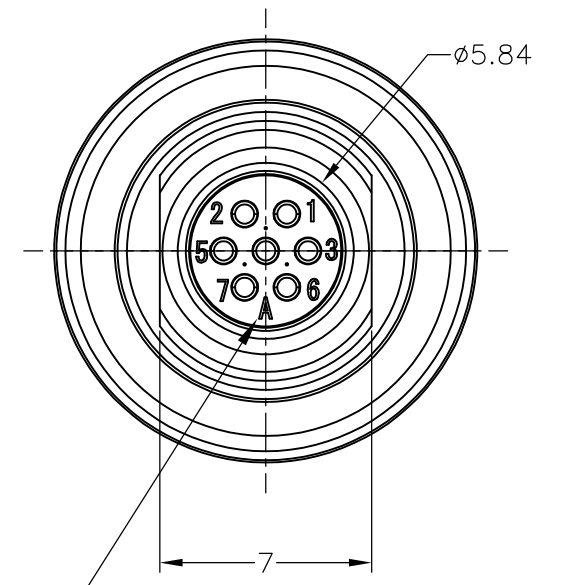
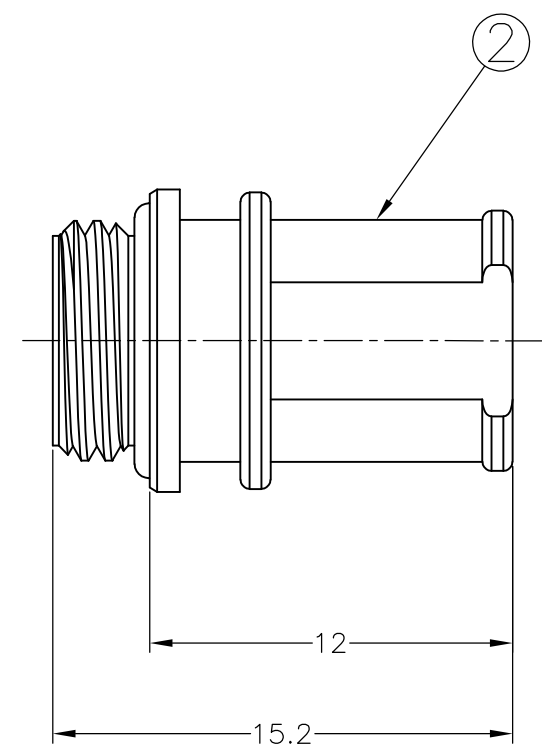
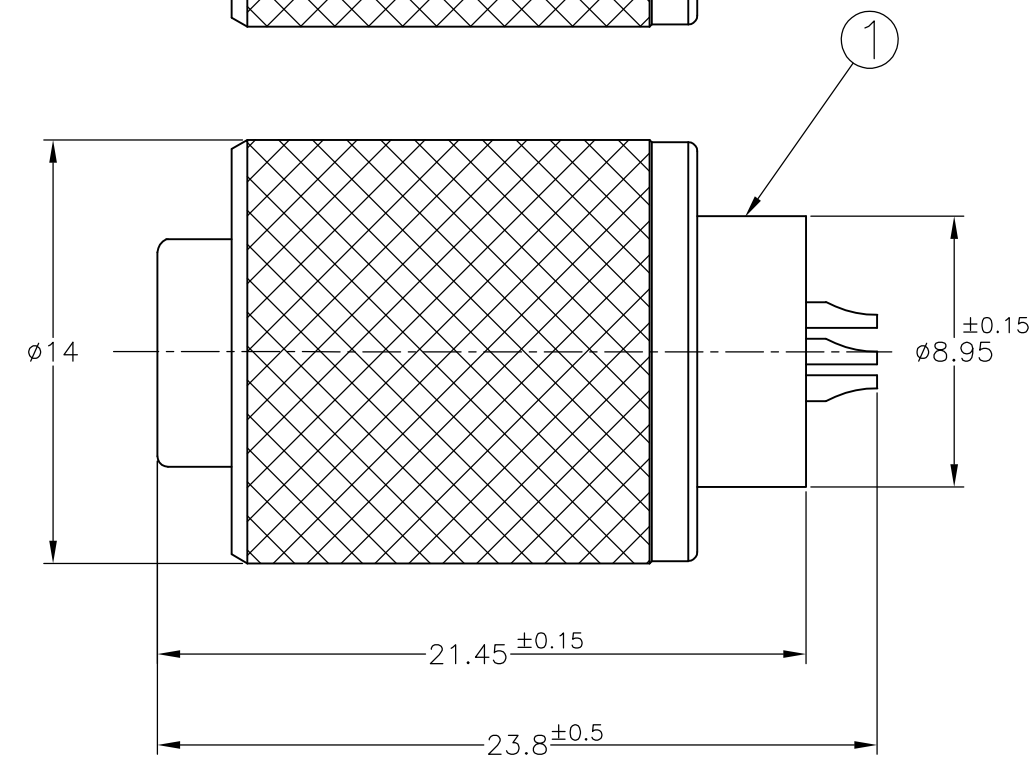
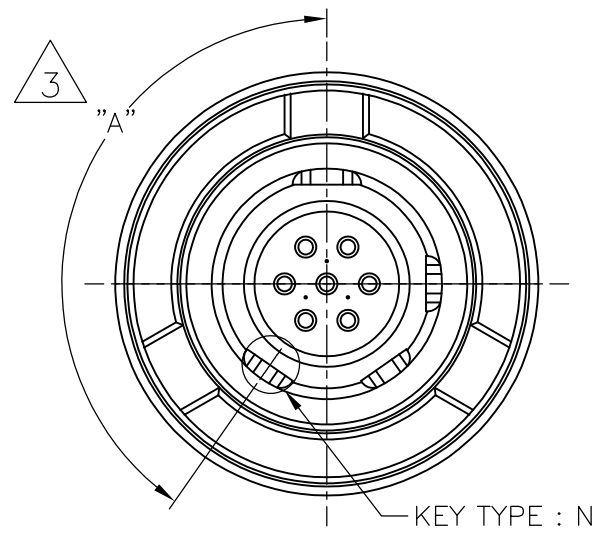
REVISIONS					
P	LTR	DESCRIPTION	DATE	DWN	APVD
C1		REDRAWN&REVISED	01NOV2016	T.K	C.O

本図 : 2174220-1
 AS SHOWN:2174220-1

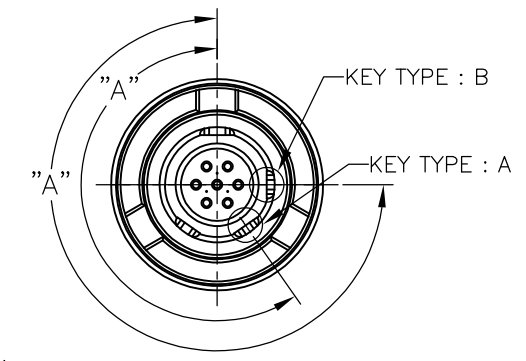
ALIGNMENT INDICATOR
 COLOR : WHITE



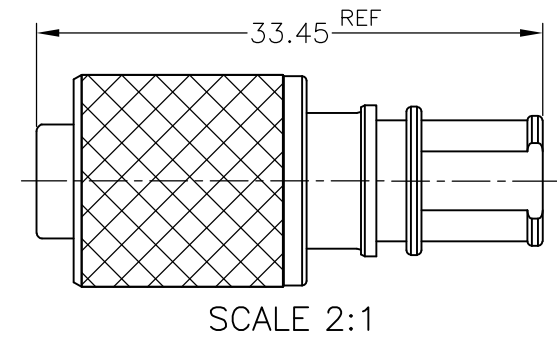
- ① MATERIAL: BRASS
- ② FINISH : BLACK Sn-Ni, OVER Ni (9 ~ 10um)
- ③ KEY OPTION : TYPE N IS NORMAL POSITION.
 OPTION KEY IS TYPE A(-2) AND TYPE B(-3).
- ④ FINISH : Au PLATING (1.0um), Ni PLATING (2um MIN.)



① LETTER IDENTIFIES MOLDING TOOL CAVITY NOT CIRCUIT I.D.



③ KEY POSITION OPTION
 SCALE 2:1



-3	-2	-1	PART NUMBER	ITEM
1	1	1	ADAPTOR	②
1			CONNECTOR ASSEMBLY KEY-B	①
	1		CONNECTOR ASSEMBLY KEY-A	
		1	CONNECTOR ASSEMBLY KEY-N	
QTY			DESCRIPTION	ITEM

③ KEY POSITION

270°	TYPE B	2174220-3
215°	TYPE A	2174220-2
145°	TYPE N	2174220-1
DIM "A"	KEY TYPE	PART NUMBER

THIS DRAWING IS A CONTROLLED DOCUMENT.

DIMENSIONS: mm	TOLERANCES UNLESS OTHERWISE SPECIFIED: ±0.1	DWN T.SUGIYAMA 13JAN2012	TE Connectivity			
± ± ± ± ±	0-PLC ± 1-PLC ± 2-PLC ± 3-PLC ± 4-PLC ± ANGLES ±5°	CHK T.TONOBÉ 30MAR2012 APVD T.SUGIYAMA 30MAR2012				NAME
MATERIAL ①	FINISH ②	PRODUCT SPEC 108-78938	SIZE	CAGE CODE	DRAWING NO	RESTRICTED TO
		APPLICATION SPEC 114-5503	A3	00779	C-2174220	-
CUSTOMER DRAWING			WEIGHT 15g	SCALE 4:1	SHEET 1 OF 1	REV C1