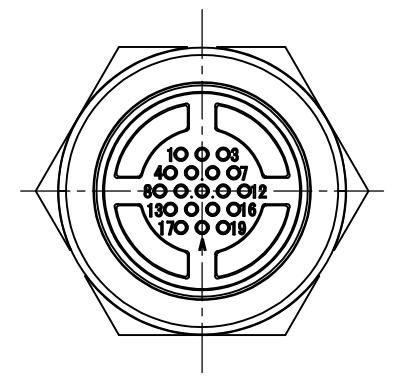
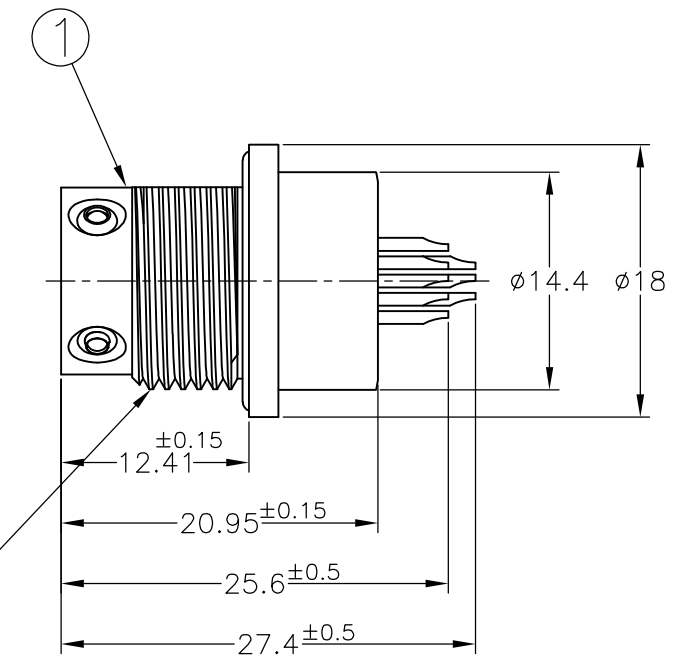
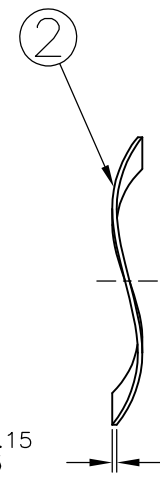
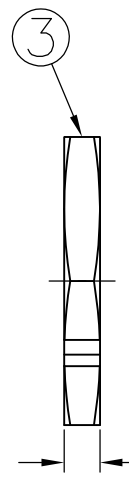
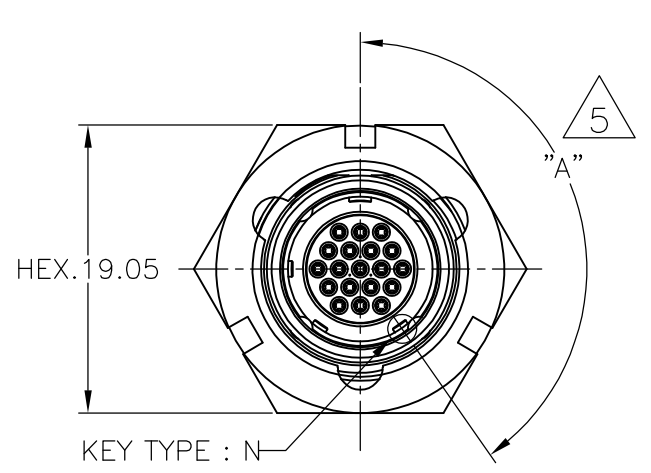
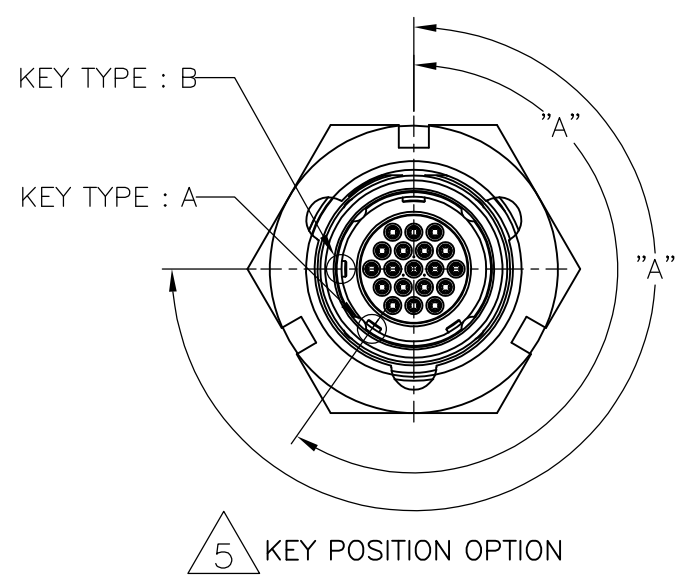
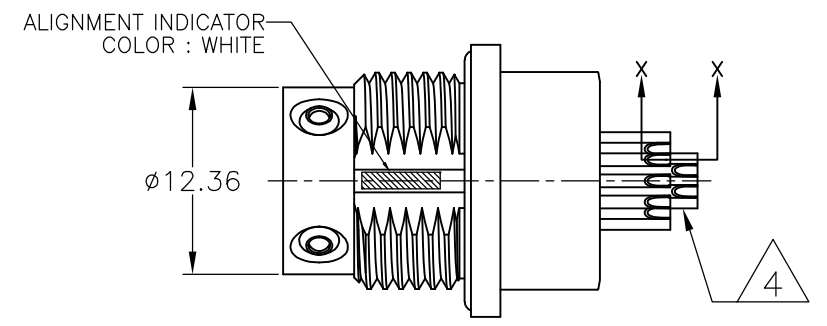
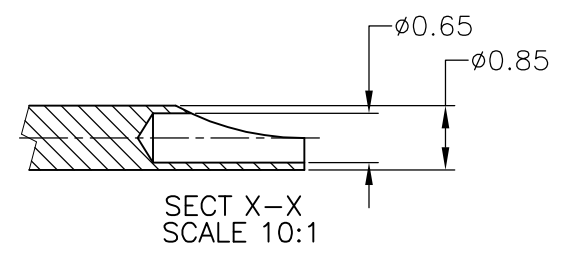


THIS DRAWING IS UNPUBLISHED. RELEASED FOR PUBLICATION FEB. 2012.
 © COPYRIGHT 2012 By Tyco Electronics Japan G.K. ALL RIGHTS RESERVED.

LOC	DIST	REVISIONS					
		P	LTR	DESCRIPTION	DATE	DWN	APVD
—	—		A5	REVISED	24JUL2015	T.K	C.O

本図：2174213-1
 AS SHOWN:2174213-1

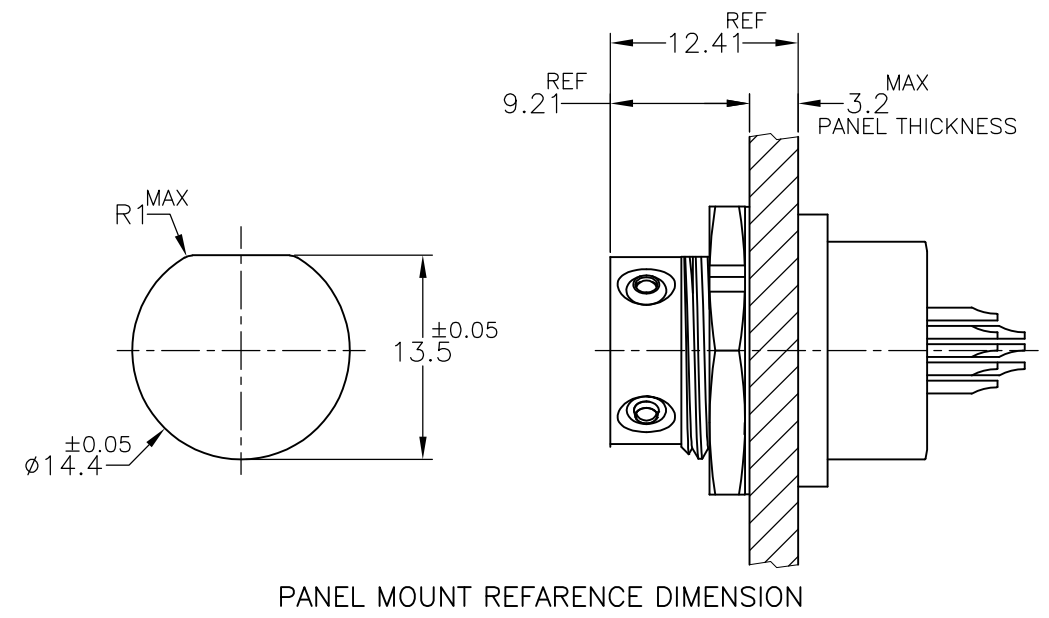
- ① MATERIAL: BRASS
- ② FINISH : BLACK Sn-Ni, OVER Ni (9 ~ 10um)
- ③ FINISH : Ni PLATING (3 ~ 6um)
- ④ FINISH : Au PLATING (1.0um), Ni PLATING (2um MIN.)
- ⑤ KEY OPTION : TYPE N IS NORMAL POSITION.
 OPTION KEY IS TYPE A(-2) AND TYPE B(-3).



⑤ KEY POSITION

270°	TYPE B	2174213-3
215°	TYPE A	2174213-2
145°	TYPE N	2174213-1
DIM "A"	KEY TYPE	PART NUMBER

-3	-2	-1	PART NUMBER	ITEM
1	1	1	②	HEX. NUT
1	1	1	③	WAVE SPRING WASHER
1			②	CONNECTOR ASSEMBLY KEY-B
	1		②	CONNECTOR ASSEMBLY KEY-A
		1	②	CONNECTOR ASSEMBLY KEY-N
QTY			FINISH	ITEM



THIS DRAWING IS A CONTROLLED DOCUMENT.

DIMENSIONS: mm	TOLERANCES UNLESS OTHERWISE SPECIFIED: ±0.1	DWN T.SUGIYAMA 19FEB2012	STE TE Connectivity
	0-PLC ±	CHK T.TONOBÉ 07MAY2012	
	1-PLC ±	APVD T.SUGIYAMA 07MAY2012	NAME NMSMC 19P PUSH/PULL RECEPTACLE / SOLDER CUP CONNECTOR KIT
	2-PLC ±	PRODUCT SPEC 108-78938	
	3-PLC ±	APPLICATION SPEC 114-5503	SIZE A3
	4-PLC ±	WEIGHT 17.506g	CAGE CODE 00779
MATERIAL ①	FINISH -	CUSTOMER DRAWING	DRAWING NO C-2174213
		SCALE 2:1	RESTRICTED TO -
		SHEET 1 OF 1	REV A5