

THIS DRAWING IS UNPUBLISHED. RELEASED FOR PUBLICATION FEB. 2012.
 © COPYRIGHT 2012 By Tyco Electronics Japan G.K. ALL RIGHTS RESERVED.

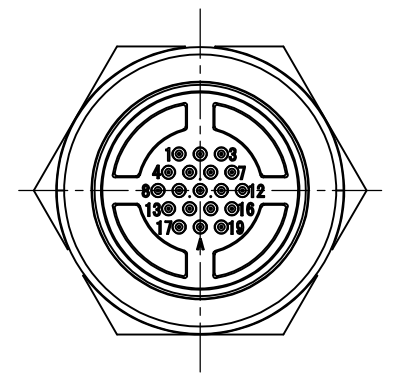
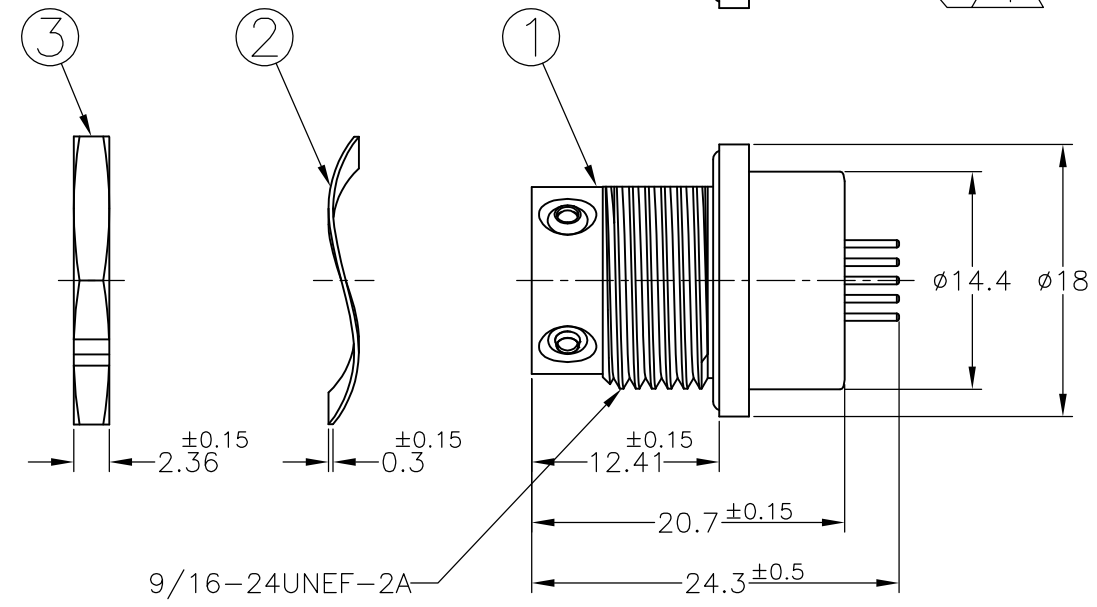
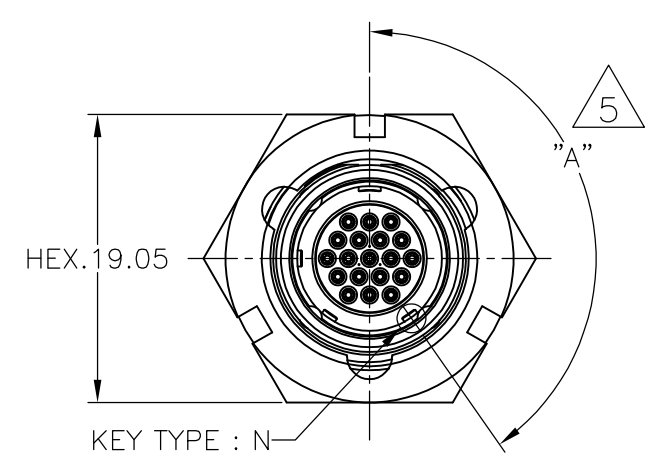
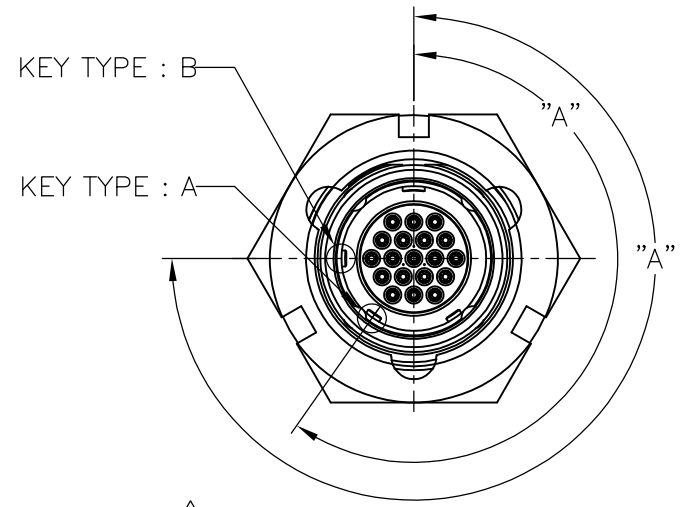
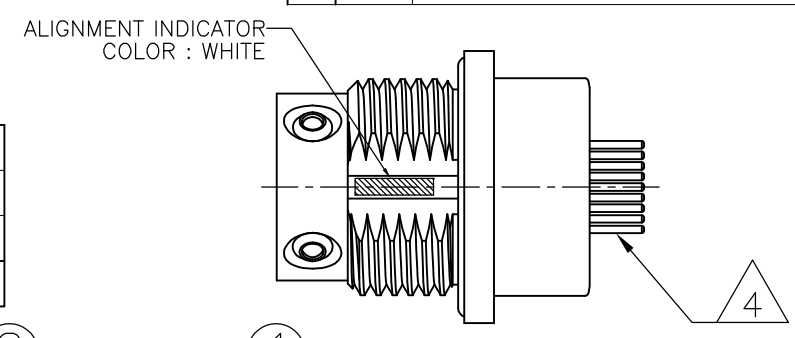
LOC	DIST	REVISIONS					
		P	LTR	DESCRIPTION	DATE	DWN	APVD
—	—		A4	REVISED	24JUL2015	T.K	C.O

本図: 2174197-1
 AS SHOWN: 2174197-1

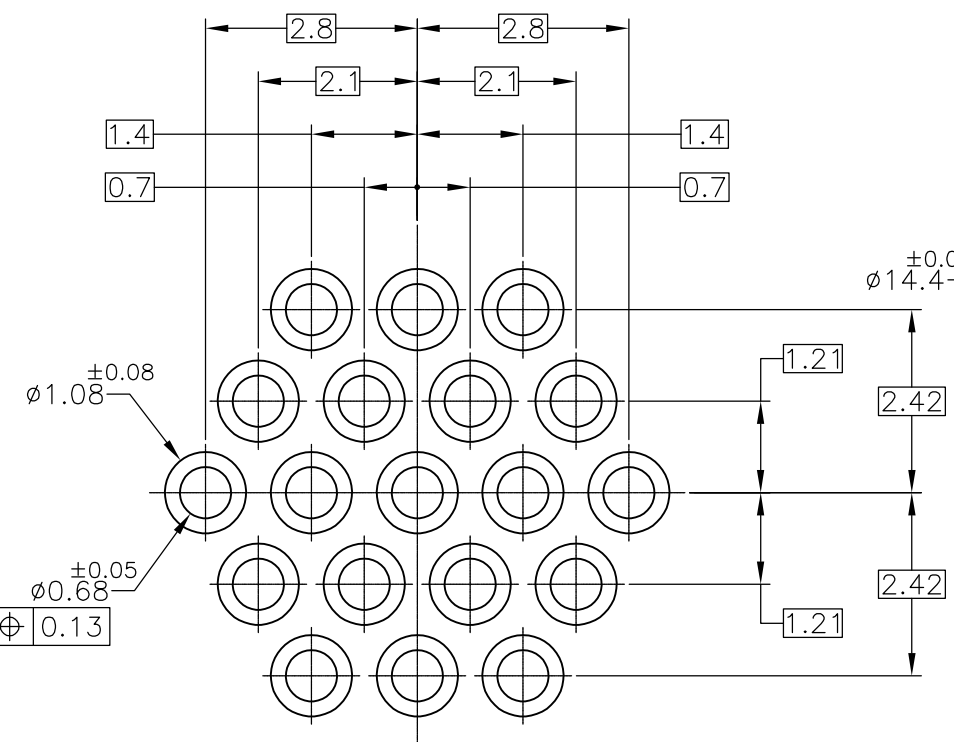
- ① MATERIAL: BRASS
- ② FINISH : BLACK Sn-Ni, OVER Ni (9 ~ 10um)
- ③ FINISH : Ni PLATING (3 ~ 6um)
- ④ FINISH : Au PLATING (1.0um), Ni PLATING (2um MIN.)
- ⑤ KEY OPTION : TYPE N IS NORMAL POSITION.
 OPTION KEY IS TYPE A(-2) AND TYPE B(-3).

⑤ KEY POSITION

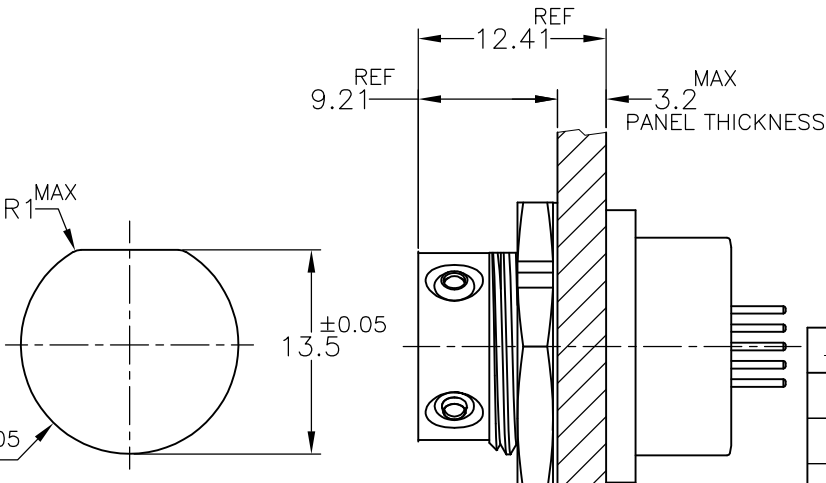
270°	TYPE B	2174197-3
215°	TYPE A	2174197-2
145°	TYPE N	2174197-1
DIM "A"	KEY TYPE	PART NUMBER



⑤ KEY POSITION OPTION



PCB LAYOUT SCALE 10:1



PANEL MOUNT REFERENCE DIMENSION

QTY	FINISH	PART NUMBER	ITEM
1	②	HEX. NUT	③
1	③	WAVE SPRING WASHER	②
1	④	CONNECTOR ASSEMBLY KEY-B	①
1	④	CONNECTOR ASSEMBLY KEY-A	
1	④	CONNECTOR ASSEMBLY KEY-N	

THIS DRAWING IS A CONTROLLED DOCUMENT.

DWN T.SUGIYAMA 19FEB2012	STE TE Connectivity
CHK T.TONOBÉ 07MAY2012	
APVD T.SUGIYAMA 07MAY2012	NAME
PRODUCT SPEC 108-78938	NMSMC 19P PUSH-PULL RECE PROBE / SOLDER TAIL CONNECTOR KIT
APPLICATION SPEC 114-5503	SIZE CAGE CODE DRAWING NO RESTRICTED TO
WEIGHT 17.852g	A3 00779 C-2174197
CUSTOMER DRAWING	SCALE 2:1 SHEET 1 OF 1 REV A4