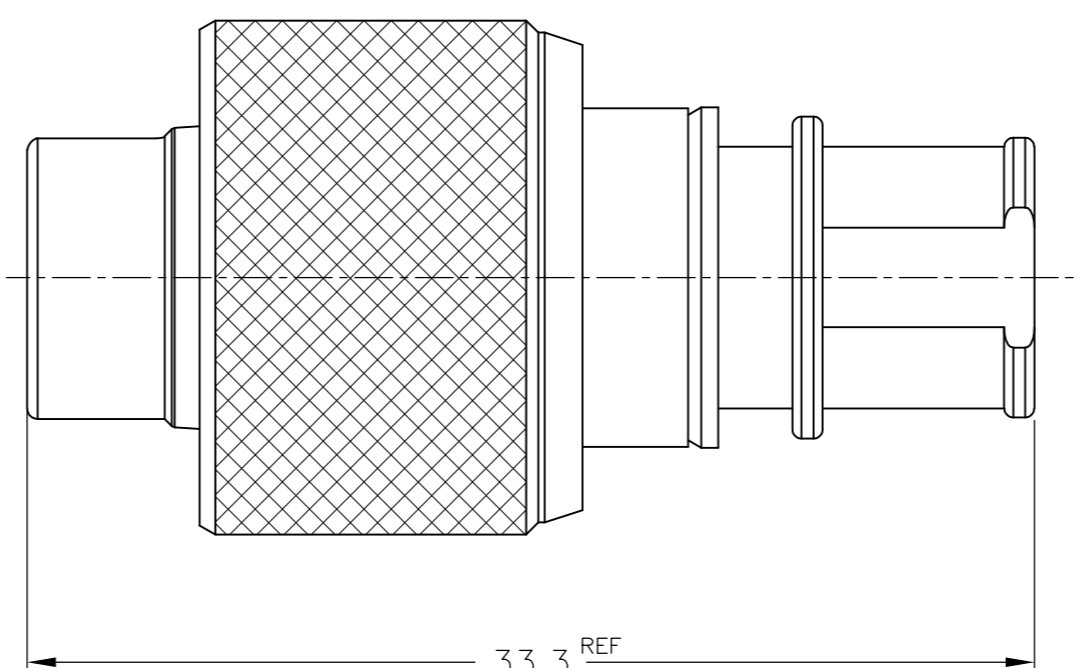
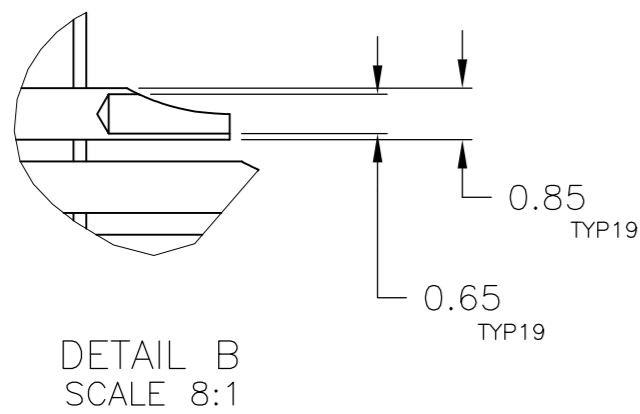
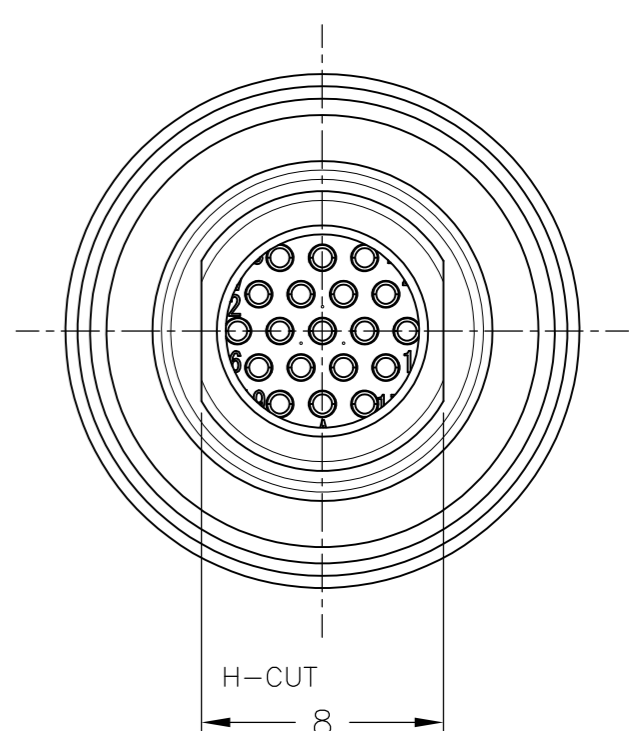
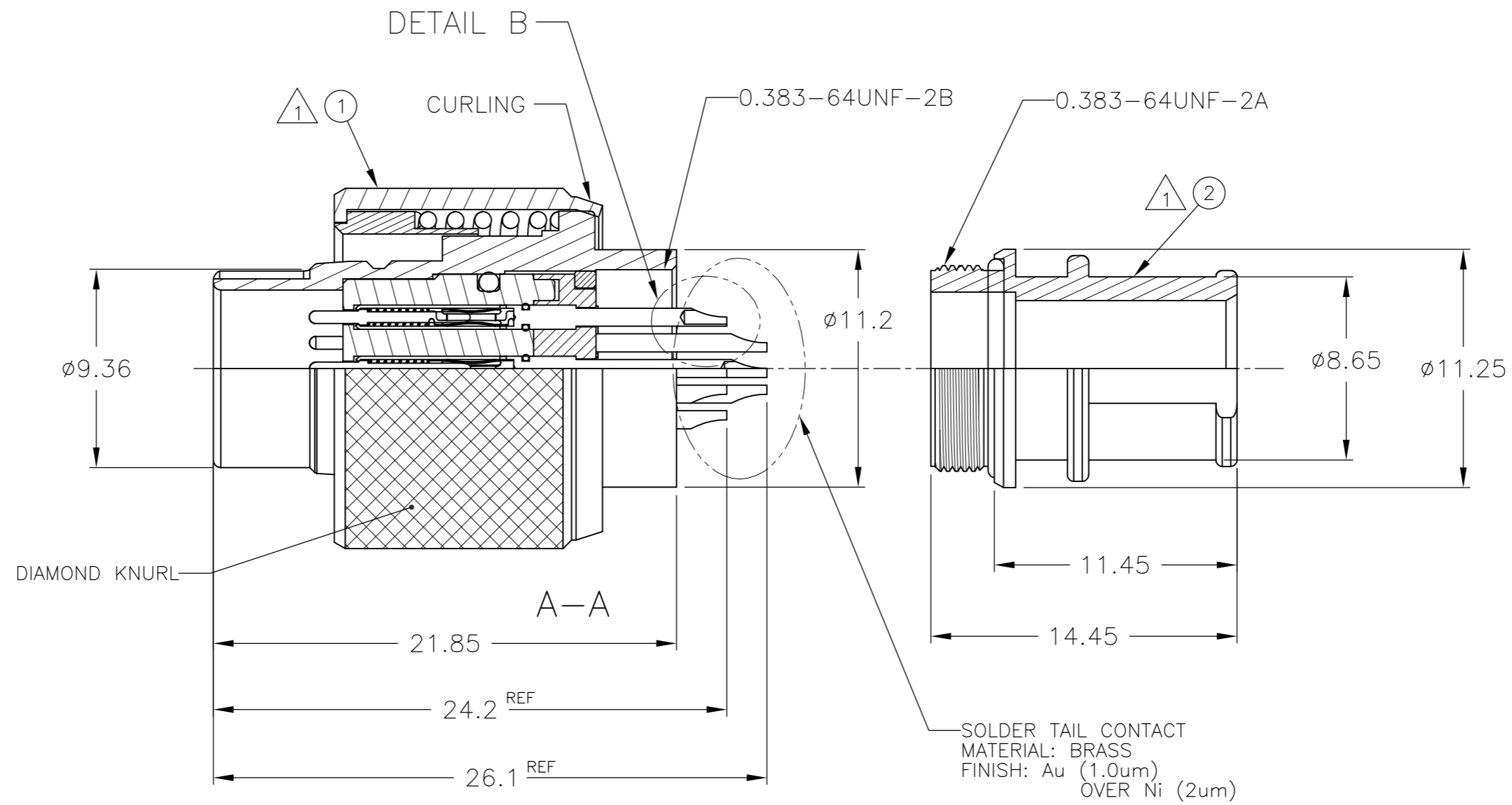
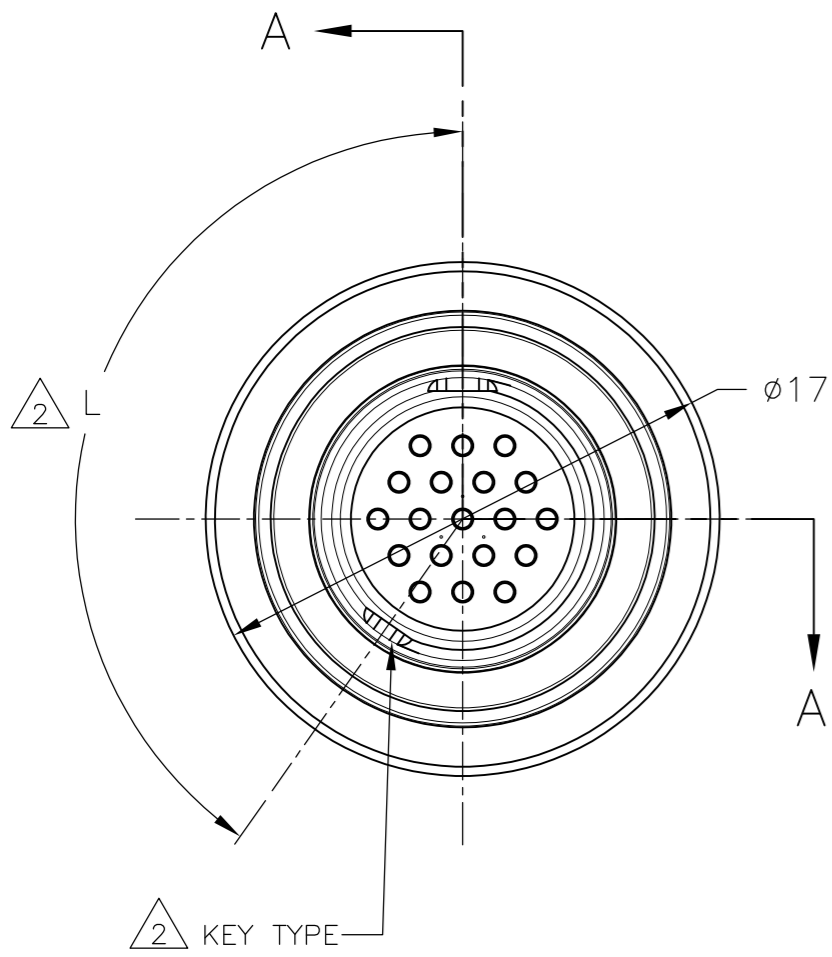


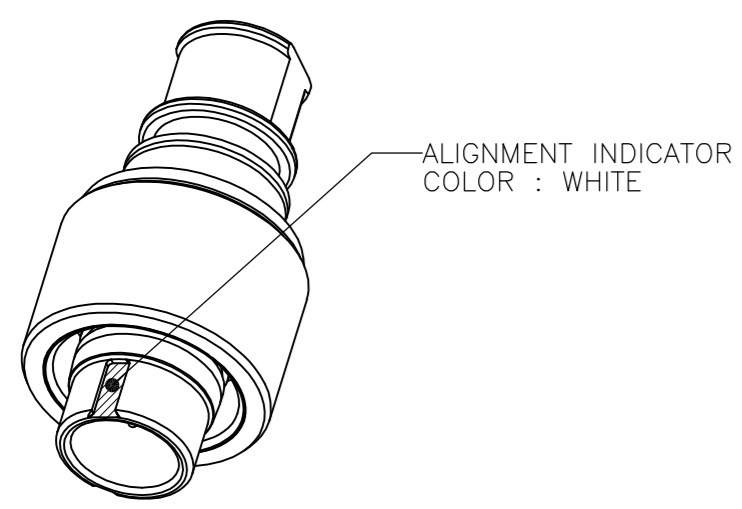
AS SHOWN 2174191-*

LOC		DIST		REVISIONS			
P	LTR	DESCRIPTION	DATE	DWN	APVD		
J		C	REVISED	02MAY2014	H.S	C.O	



△ MATERIAL: BRASS
 FINISH : BLACK Su-Ni OVER Ni (9 ~ 10um)
 △ KEY POSITION: TYPE N IS NORMAL POSITION.
 OPTION KEY IS TYPE A (-2) AND TYPE B (-3).

270°	TYPE B	2174191-3
215°	TYPE A	2174191-2
145°	TYPE N	2174191-1
△DIM L	DESCRIPTION	PART NO.



REFERENCE SCALE 2:1
 2174191-1

QTY	REQ.	PER ASSY	DESCRIPTION	ITEM NO.
1	1	1	19P PLUG ADAPTOR WITH O-RING	②
1	-	-	19P PUSH-PULL PLUG SPRING PROBE/SOLDER CUP CONT ASSY TYPE B	①
-	1	-	19P PUSH-PULL PLUG SPRING PROBE/SOLDER CUP CONT ASSY TYPE A	①
-	-	1	19P PUSH-PULL PLUG SPRING PROBE/SOLDER CUP CONT ASSY TYPE N	①
-3	-2	-1		

REVISION OF EACH ASSY NO. (WHEN BLANK, USE DRAWING REVISION)

DIMENSIONS:		TOLERANCES UNLESS OTHERWISE SPECIFIED:		PRODUCT SPEC		NAME	
mm		±0.1		108-78938		NMSMC 19P PUSH-PULL PLUG SPRING PROBE / SOLDER CUP CONNECTOR / KIT	
		0 PLG ±		114-5503		SIZE	CAGE CODE
		1 PLG ±		21.05g		A2	00779
		2 PLG ±				DRAWING NO	RESTRICTED TO
		3 PLG ±				C=2174191	
		4 PLG ±				SCALE	SHEET
		ANGLES ±				4:1	1 of 1
		FINISH				REV	C

THIS DRAWING IS A CONTROLLED DOCUMENT. DWN T.SUGIYAMA 03FEB2012
 CHK T.TONOBÉ 03FEB2012
 APVD T.SUGIYAMA 03FEB2012
 MATERIAL FINISH
 CUSTOMER DRAWING