

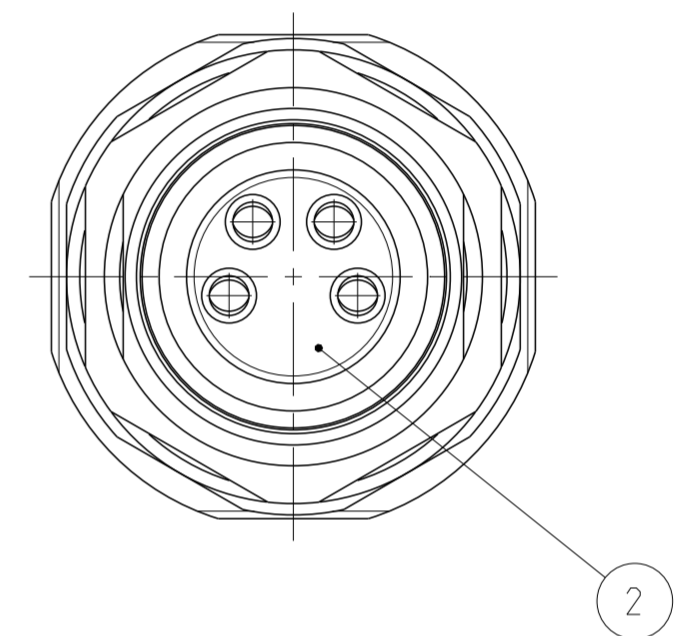
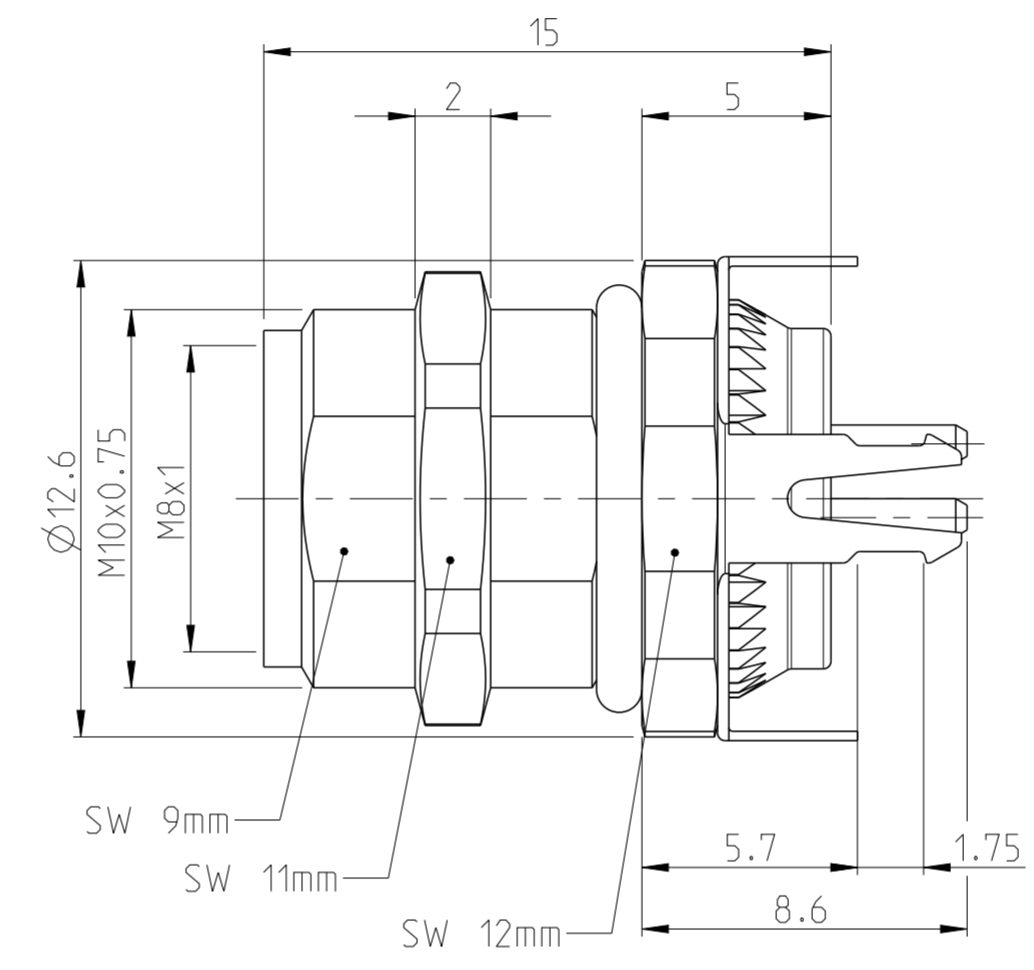
P	LTR	REVISIONS AENDERUNGEN DESCRIPTION BESCHREIBUNG	DATE	DWN	APVD
	A	NEW RELEASE	04DEC2014	TJ	PS
	A1	P/N 3-2172089-2 OBSOLETED	27OCT2017	TJ	NG

TECHNICAL DATA	2-2172089-2	3-2172089-2
RATED VOLTAGE	60V	30V
RATED IMPULSE VOLTAGE	800V	800V
POLLUTION DEGREE	3	3
OVERVOLTAGE CATEGORY	II	II
MATERIAL GROUP	II	II
RATED CURRENT	4A	4A
VOLUME RESISTIVITY	≤ 3mΩ	≤ 3mΩ
DEGREE OF PROTECTION	IP67	IP67
UPPER TEMPERATURE	+85 °C	+85 °C
LOWER TEMPERATURE	-40 °C	+40 °C

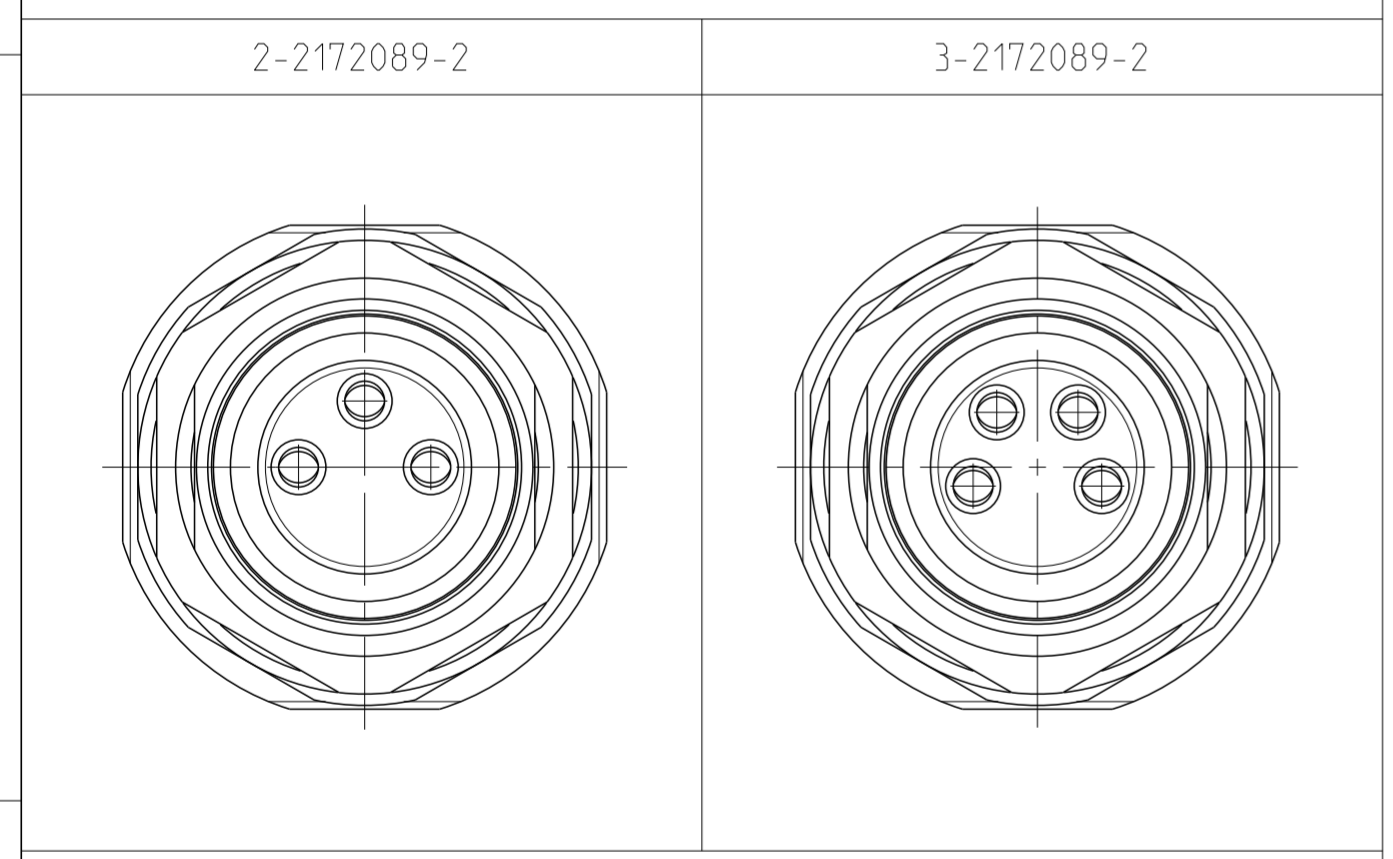
NOTES:

1 MATERIAL: ITEM NO. 1: HOUSING - ZINC DIECASTING NICKEL PLATED.
 ITEM NO. 2: CONTACT BODY - PA / PUR (UL 94 HB)
 ITEM NO. 3: CONTACT - CuSn (BRONZE)
 CONTACT FINISH - Au (GOLD)

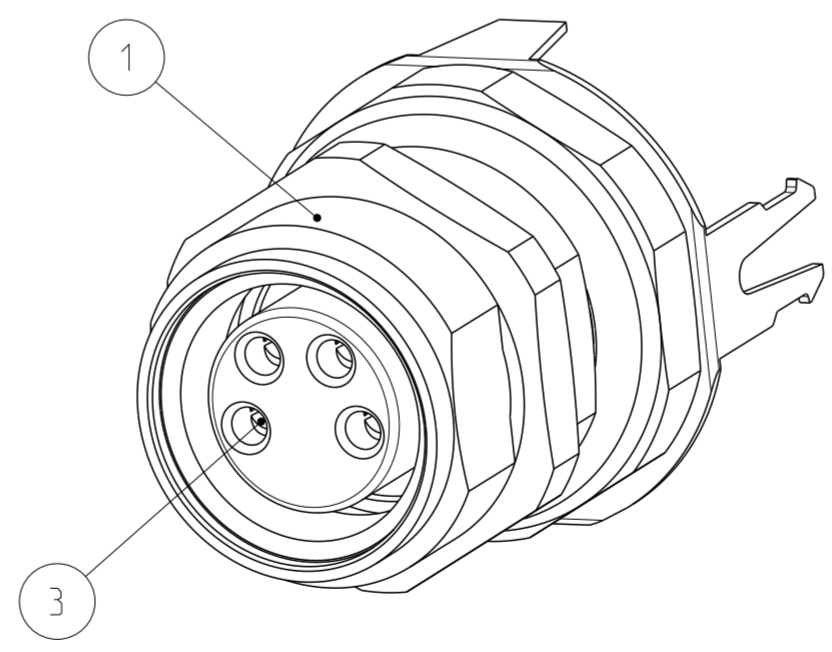
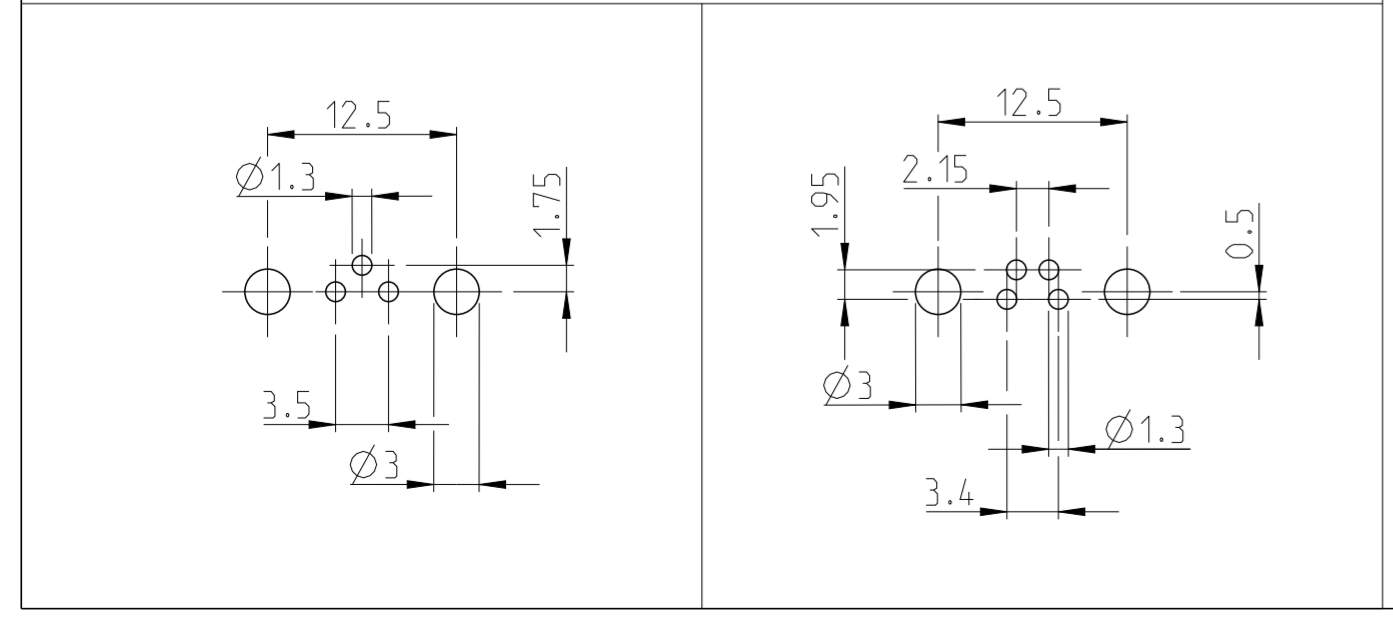
2 ALL DIMENSIONS ARE FOR NOMINAL REFERENCE ONLY UNLESS OTHERWISE STATED



PIN ARRANGEMENT



CONDUCTOR LAYOUT



OBSOLETE	4	3-2172089-2
	3	2-2172089-2
MATERIAL	NUMBER OF POLES	TE-PART-NO.

DIESE ZEICHNUNG IST EIN KONTROLLIERTES DOKUMENT. BEMASSUNGEN UND TOLERANZEN GEMAESS GPS (ISO STANDARDS).		DWN YASHKUMAR 14 AUG 2014
THIS DRAWING IS A CONTROLLED DOCUMENT. DIMENSIONING AND TOLERANCING PER GPS (ISO STANDARDS).		CHK M. BRUBAKER 14 AUG 2014
DIMENSIONS: MASSEINHEITEN: (MM)		APVD M. BRUBAKER 14 AUG 2014
TOLERANCES UNLESS OTHERWISE SPECIFIED: ALLGEMEINTOLERANZEN		NAME M8 RECEPTACLE, FEMALE, PCB MOUNT, SHIELDED, METAL STANDOFF
0 PLC ±	1 PLC ±	PRODUCT SPEC 108-19483
2 PLC ±	3 PLC ±	APPLICATION SPEC 114-32127
4 PLC ±	ANGLES/WINKEL ±	WEIGHT GEWICHT -
MATERIAL -	FINISH/OBERFLAECHE/FARBE -	SCALE MASSSTAB 5:1
SEE NOTES	SEE NOTES	SHEET BLATT 1 OF VON 1

STE TE Connectivity		RESTRICTED TO NUR FUER -
SIZE A2	CAGE CODE 00779	DRAWING NO. ZEICHNUNGS-NR. C-2172089
Customer Drawing		REV A1

SIZE ISO 14405 (E)