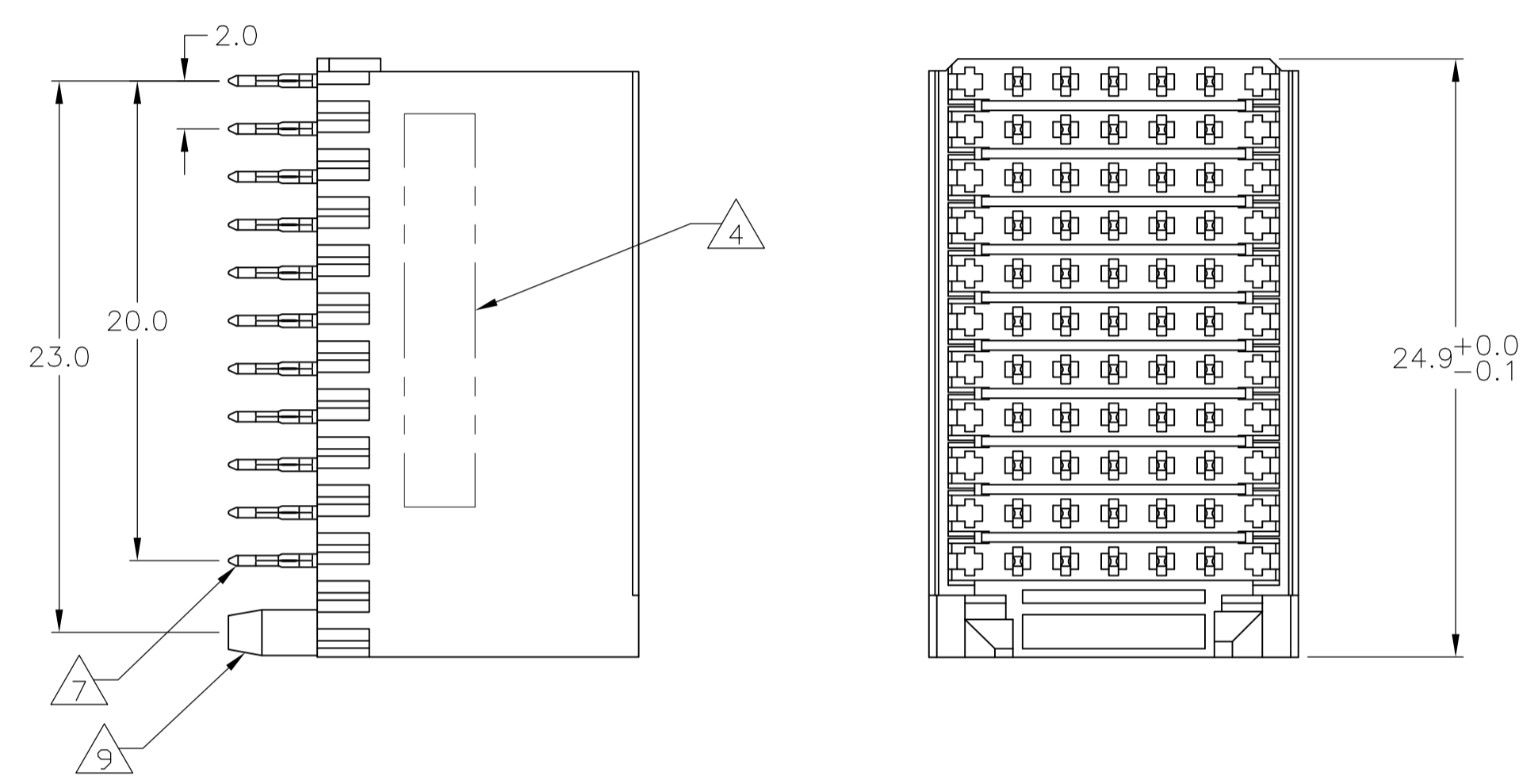
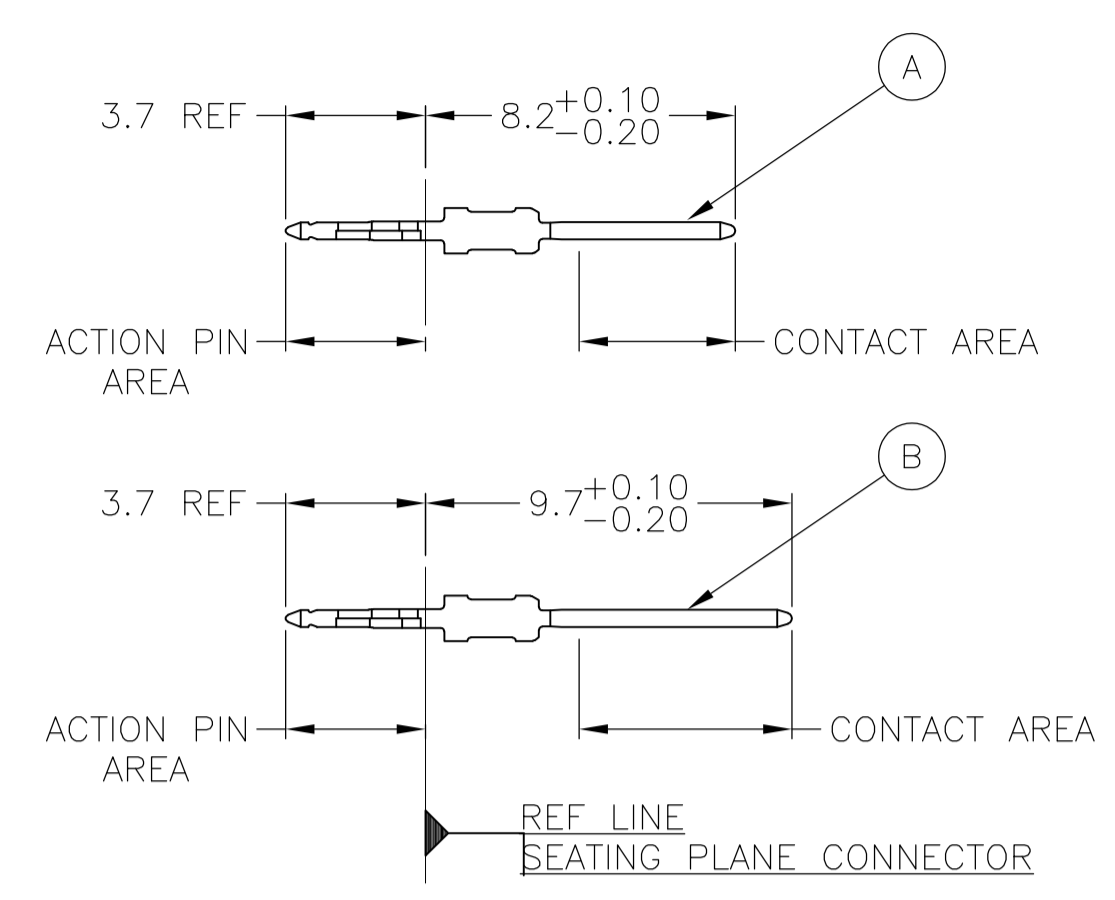


LOC		DIST		REVISIONS				
AD	00	REV	DATE	BY	CHK	APPV		
A		INITIAL RELEASE	22MAY14	FL		FY		

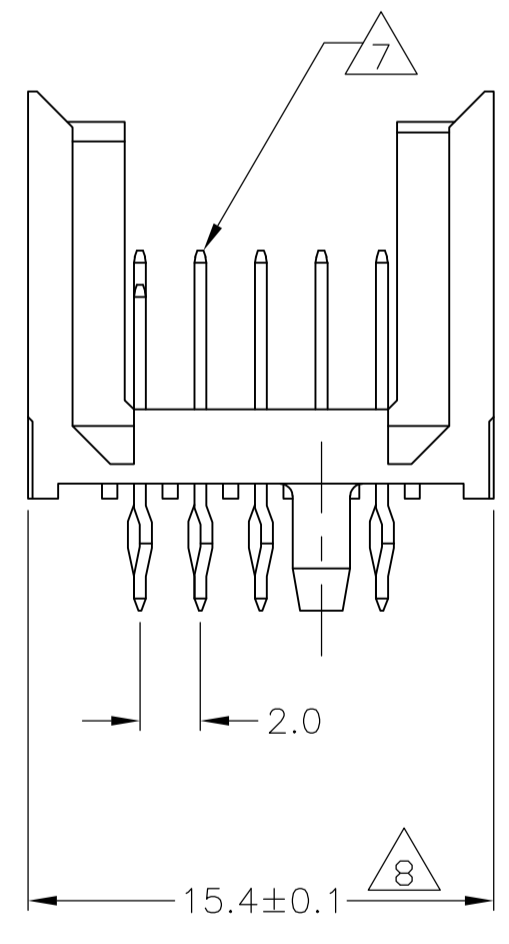
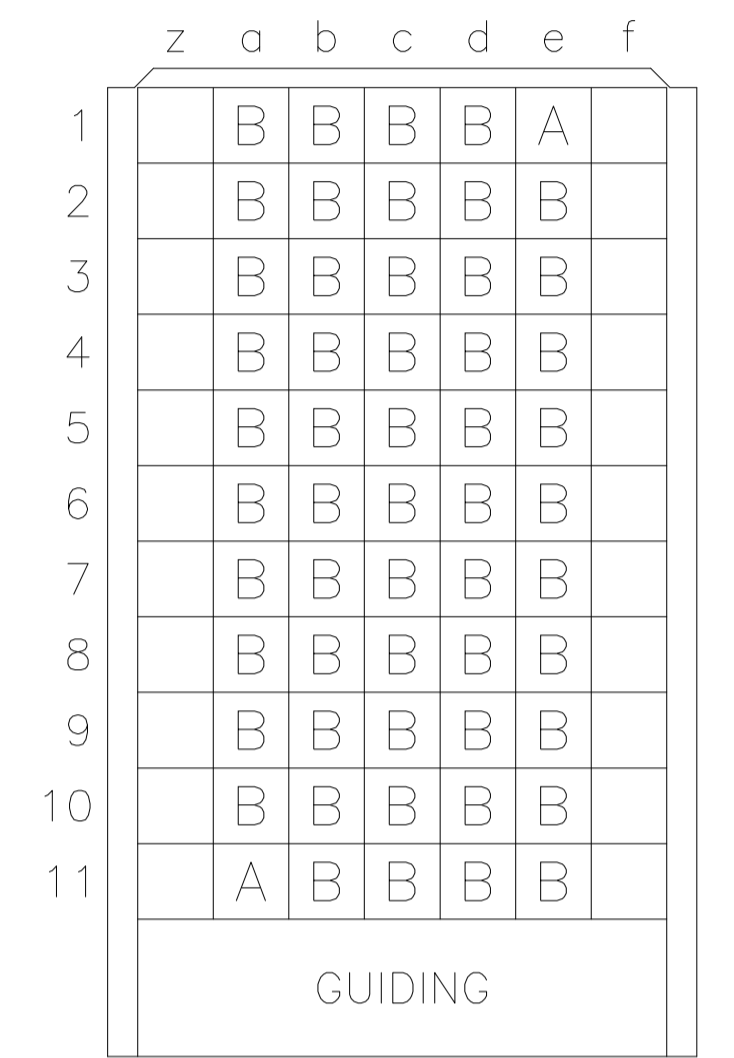
CONNECTOR ASSEMBLY EXAMPLARY LOADED 4



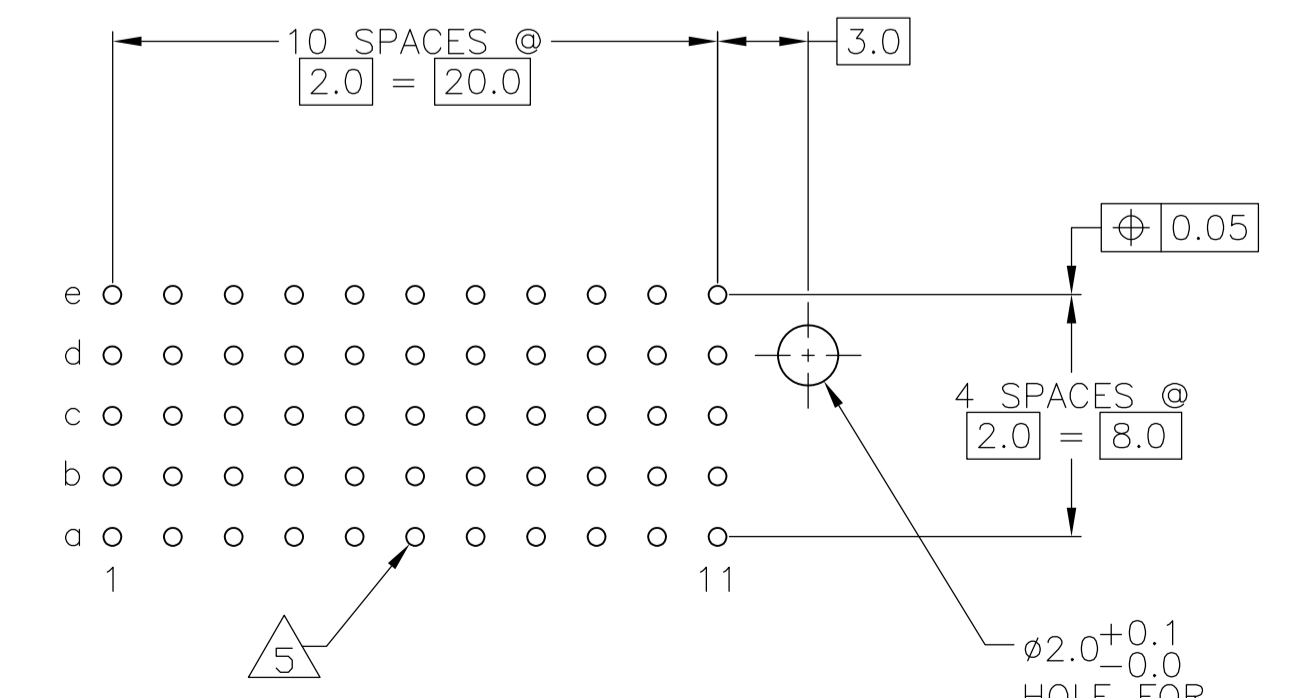
CONTACT DIMENSIONS SCALE 5:1



CONTACT LAYOUT



RECOMMENDED PCB-HOLE LAYOUT COMPONENT SIDE SHOWN




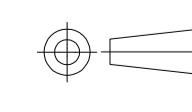
PLATED THRU HOLES PARAMETERS REFERENCE APPLICATION SPECIFICATION

2 3	2170872-1
FINISH	PART NUMBER

THIS DRAWING IS A CONTROLLED DOCUMENT.		DIN F. LIU 22MAY14	TE Connectivity	
DIMENSIONS: mm		CHK F. YANG 22MAY14	NAME	
TOLERANCES UNLESS OTHERWISE SPECIFIED:		APPV F. YANG 22MAY14	PRODUCT SPEC	
0-PLC ±		108-19082		
1-PLC ± 0.2		APPLICATION SPEC		
2-PLC ± 0.05		114-19029		
3-PLC ± 0.005		SIZE CAGE CODE DRAWING NO		
4-PLC ± 0.002		A1 00779 C=2170872		
ANGLES ± 0.30°		RESTRICTED TO		
MATERIAL 1	FINISH SEE TABLE	WEIGHT		—
CUSTOMER DRAWING		SCALE 4:1		SHEET 1 OF 2 REV A

LOC		DIST		REVISIONS			
AD	00	REV	DATE	BY	APPV	DATE	BY
-	-	1	SEE SHEET 1	-	-	-	-

- 1 MATERIAL:
CONTACT: PHOSPHOR BRONZE.
HOUSING: GLASS-FILLED POLYESTER.
- 2 GENERAL PLATING SPECIFICATION: UNDERPLATING
(ENTIRE CONTACT): 1.27µm MIN NICKEL AND ACTION
PIN: 0.5µm MIN TIN.
FOR PLATING OF MATING SURFACES SEE APPLICABLE
SPECIFICATION REFERENCE FOR EACH DASH NUMBER.
- 3 CONFORMS TO ALL TESTING ACCORDING TO IEC 61076-4-101
PERFORMANCE LEVEL 2.
- 4 CONNECTOR MARKED WITH PART NUMBER AND DATE CODE.
ADDITIONAL CHARACTERS OR MARKINGS, AS WELL AS THE LOCATION OF THE MARKINGS,
MAY BE ADDED FOR TRACEABILITY BASED UPON MANUFACTURERS DISCRETION.
- 5 PLATED-THROUGH HOLES AT 2x2mm SQUARE GRID
PATTERN DEFINED BY CONTACT LAYOUT.
- 6 FOR ACTUAL PIN LOADING SEE "CONTACT LAYOUT".
- 7 FOR ACTUAL PIN DIMENSIONS SEE "CONTACT DIMENSIONS".
- 8 TO BE MEASURED AT BOTTOM OF SHROUD.
- 9 LOCATION PEG.

THIS DRAWING IS A CONTROLLED DOCUMENT.		DIN F. LIU 22MAY14	 TE Connectivity	
DIMENSIONS: mm		CHK F. YANG 22MAY14	NAME MALE ASSEMBLY, Z-PACK 2mm HM, TYPE C	
		APVD F. YANG 22MAY14	PRODUCT SPEC 108-19082	
0-PLC ± 1-PLC ± 0.2 2-PLC ± 0.02 3-PLC ± 0.005 4-PLC ± ANGLES ± 0.30°		APPLICATION SPEC 114-19029		RESTRICTED TO
MATERIAL SEE SHEET 1	FINISH SEE SHEET 1	WEIGHT -	SIZE A1	CAGE CODE 00779
CUSTOMER DRAWING		SCALE 4:1	SHEET 2	OF 2
		DRAWING NO 2170872		REV A