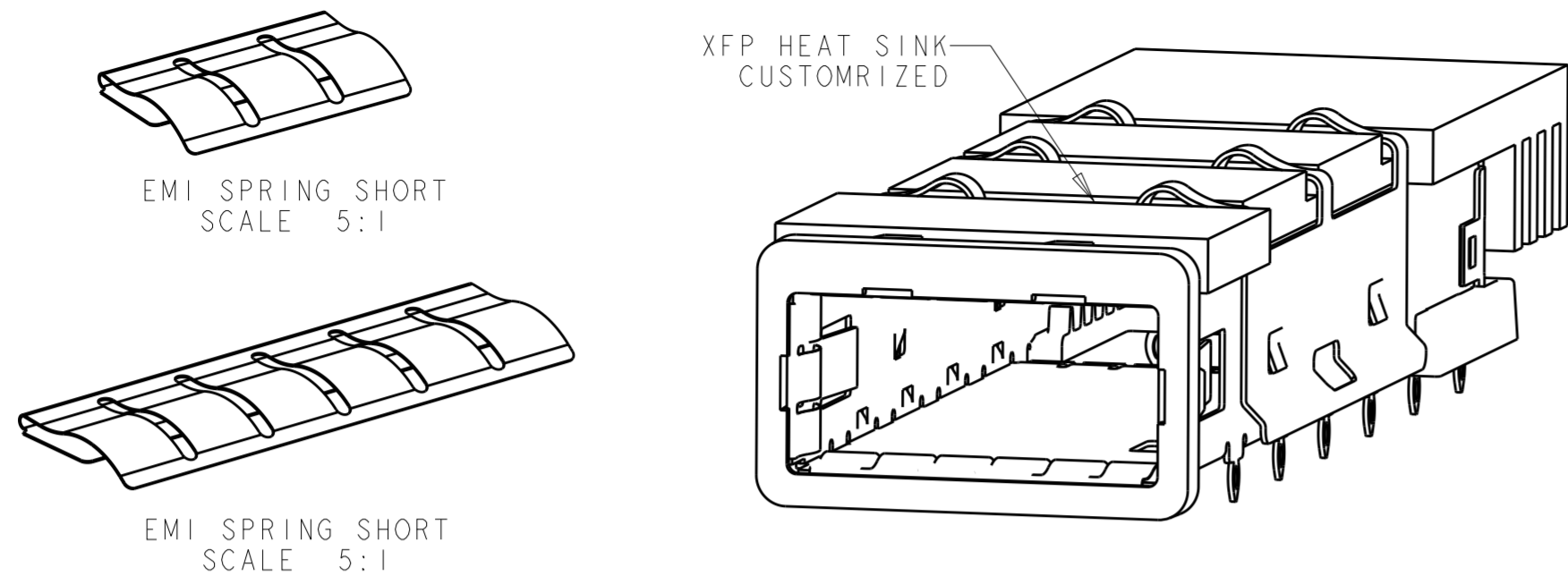
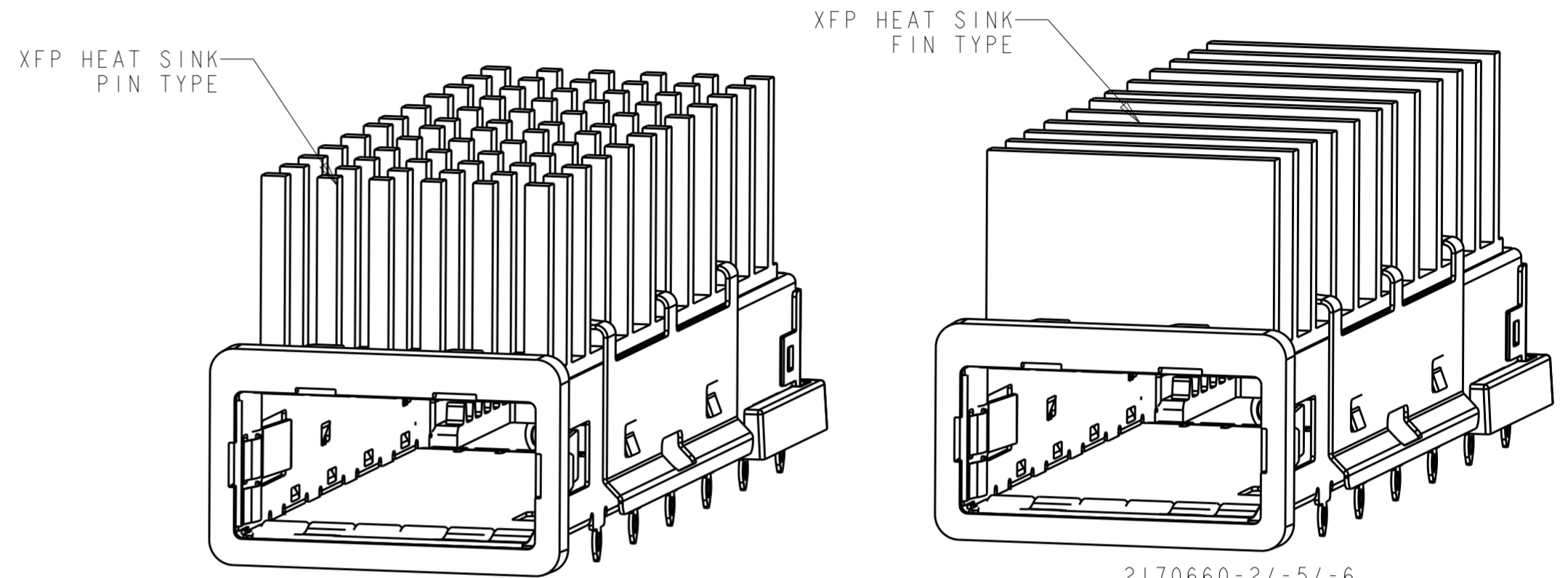
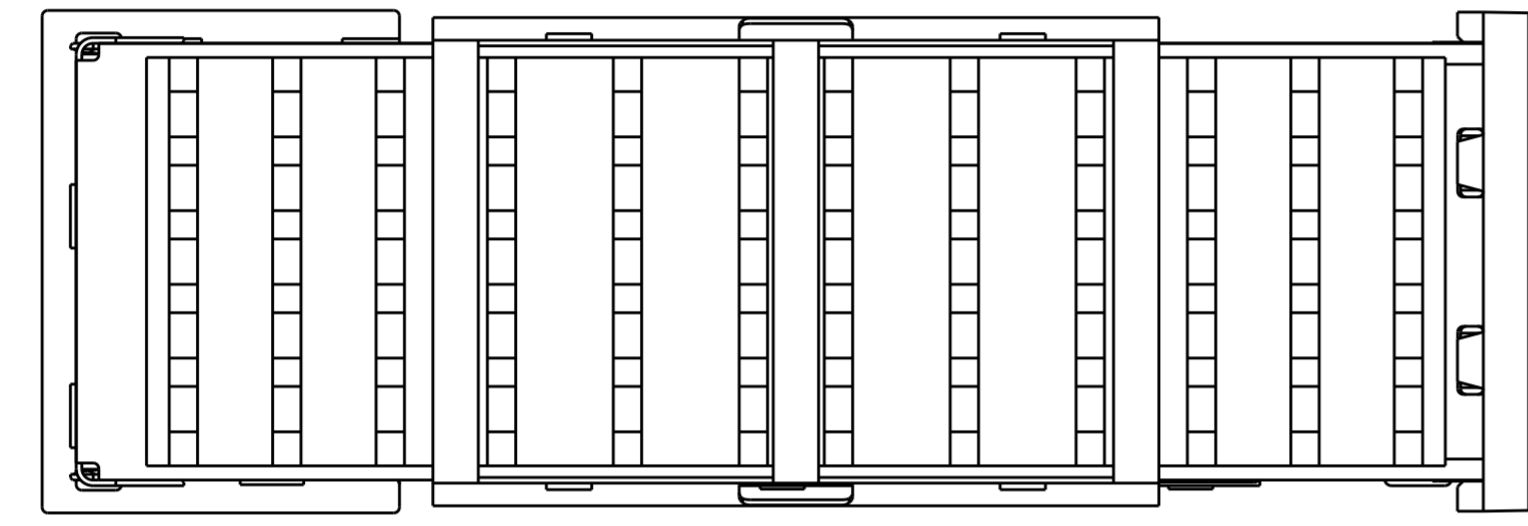


THIS DRAWING IS UNPUBLISHED. RELEASED FOR PUBLICATION 20
 © COPYRIGHT 20 BY - ALL RIGHTS RESERVED.

LOC	DIST	REVISIONS					
GP	00	P	LTR	DESCRIPTION	DATE	DWN	APVD
		A		MASS PRODUCTION	02NOV2016	PP	SH

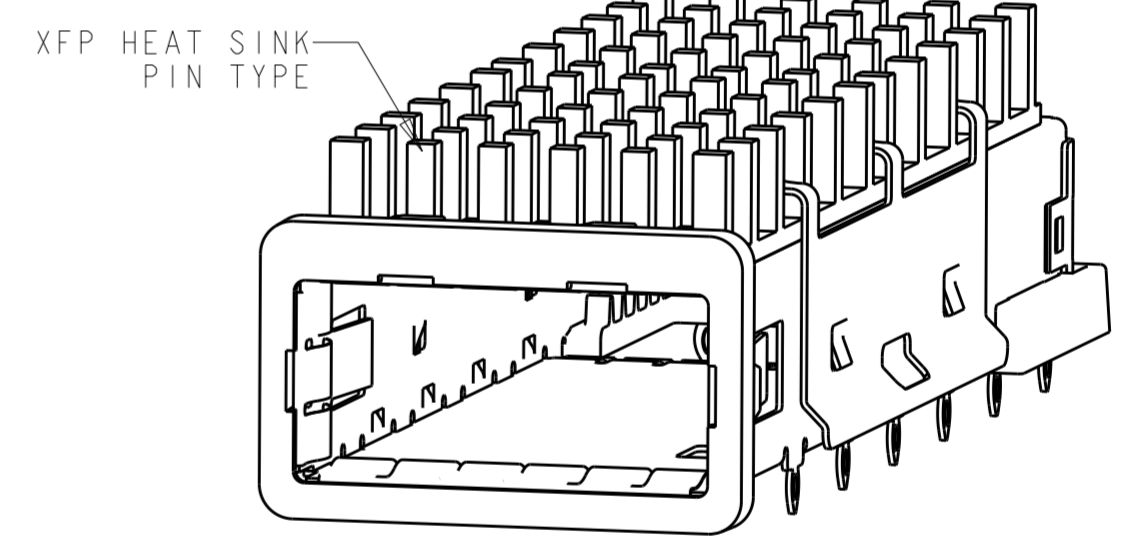


- MATES WITH XFP MSA COMPLIANT TRANSCEIVERS.
- SEE COMPONENT DRAWINGS FOR COMPONENT DIMENSIONS AND INFORMATION.

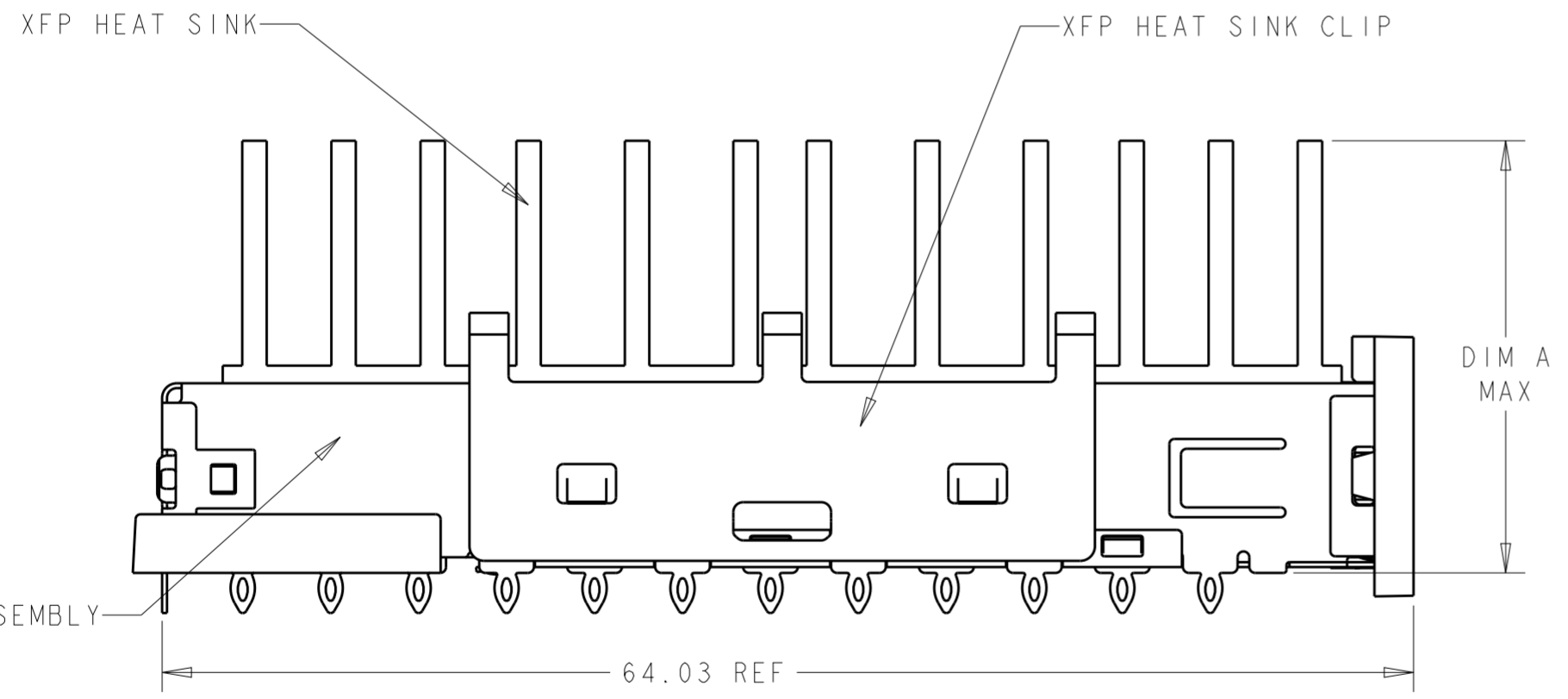


2170660-1
SCALE 3:1

2170660-2/-5/-6
SCALE 3:1



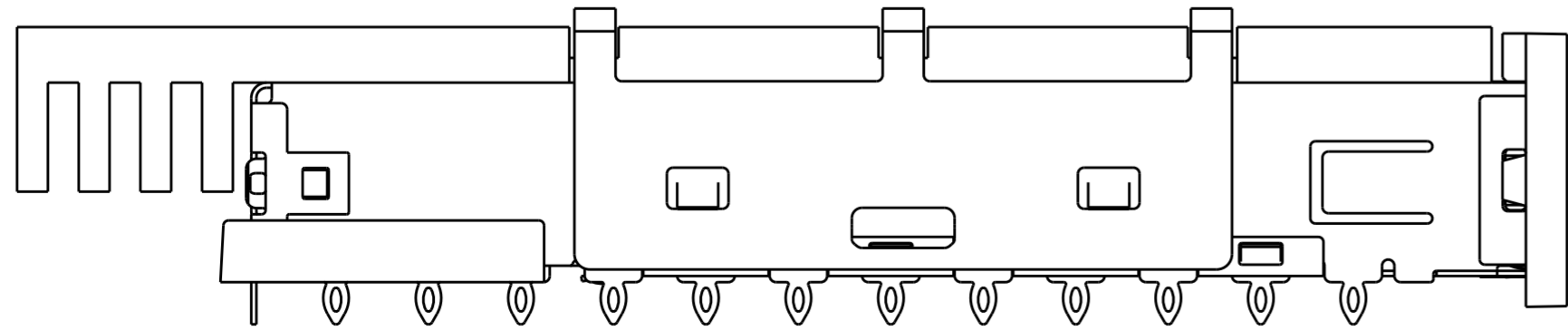
2170660-3/-4
SCALE 3:1



2170660-1/2/3/4/5/6 AS SHOWN

DIM A	HEAT SINK TYPE	PART NUMBER
13.2	CUSTOMRIZED	2170660-7
13.6	FIN TYPE	2170660-6
15.8	FIN TYPE	2170660-5
13.6	PIN TYPE	2170660-4
15.8	PIN TYPE	2170660-3
22.9	FIN TYPE	2170660-2
22.9	PIN TYPE	2170660-1

XFP CAGE ASSEMBLY



2170660-7 AS SHOWN

THIS DRAWING IS A CONTROLLED DOCUMENT.

DIMENSIONS:	TOLERANCES UNLESS OTHERWISE SPECIFIED:	DWN PETER PAN 12MAR2014	 TE Connectivity
mm	0 PLC ±	CHK SEAN HAN 12MAR2014	
	1 PLC ±	APVD SEAN HAN 12MAR2014	
	2 PLC ±	PRODUCT SPEC	
	3 PLC ±	108-2127	NAME XFP KIT ASSEMBLY
	4 PLC ±	APPLICATION SPEC	SIZE CAGE CODE DRAWING NO
	ANGLES ±	114-13096	A200779 C-2170660
	FINISH ±	WEIGHT -	RESTRICTED TO
MATERIAL		CUSTOMER DRAWING	SCALE 6:1 SHEET 1 OF 1 REV A