

LOC	DIST	REVISIONS			
P	LTN	DESCRIPTION	DATE	DWN	APVD
2		CHANGE THE CAGE HEIGHT	09OCT2013	JZ	SH
3		CHANGE THE CAGE HEIGHT	14OCT2013	JZ	SH
4		UPDATE HEATSINK PLATING	14OCT2013	JZ	SH
A		MASS PRODUCTION	20DEC2015	PP	SH

1 MATERIAL:
 CAGE - 0.25mm THICK NICKEL SILVER ALLOY
 HEATSINK - ALUMINUM
 HEATSINK CLIP - STAINLESS STEEL
 EMI SPRING(S) - COPPER ALLOY

2 FINISH:
 HEATSINK - BLACK ANODIZE
 HEATSINK CLIP - PASSIVATE
 EMI SPRING(S) - 0.8um MIN MATTE TIN OVER 0.8um MIN NICKEL,
 NON-PLATED EDGES PERMISSIBLE.

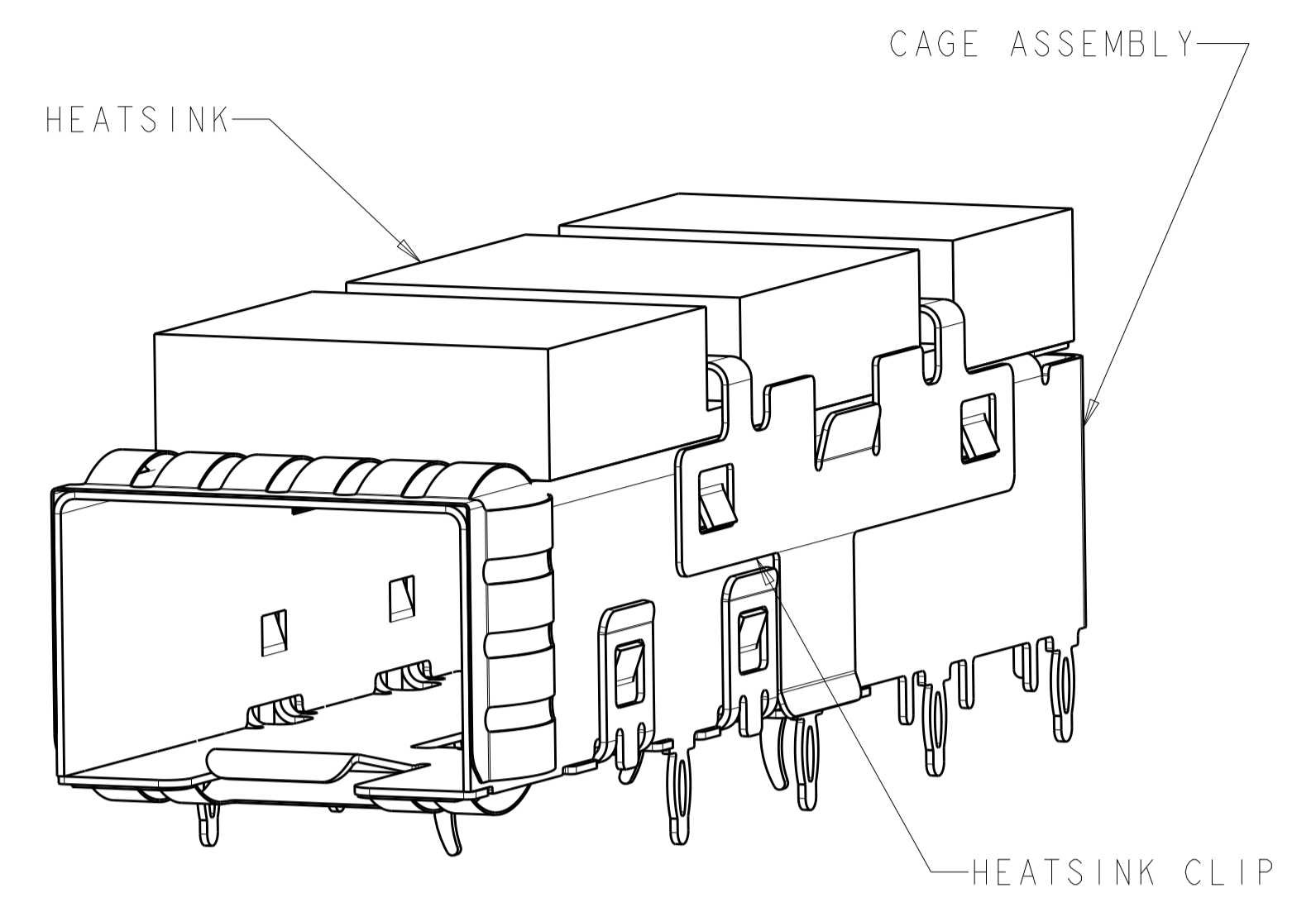
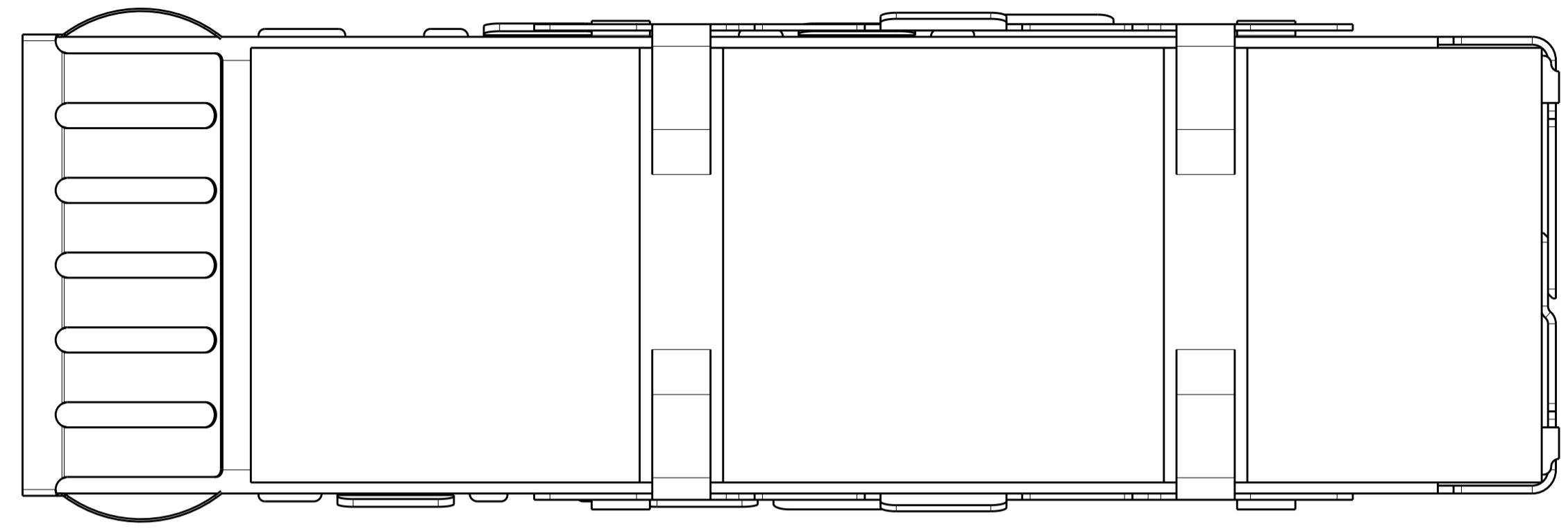
3. MATES WITH SFP MSA COMPLIANT TRANSCEIVERS.

4 PADS AND VIAS CHASSIS GROUND.

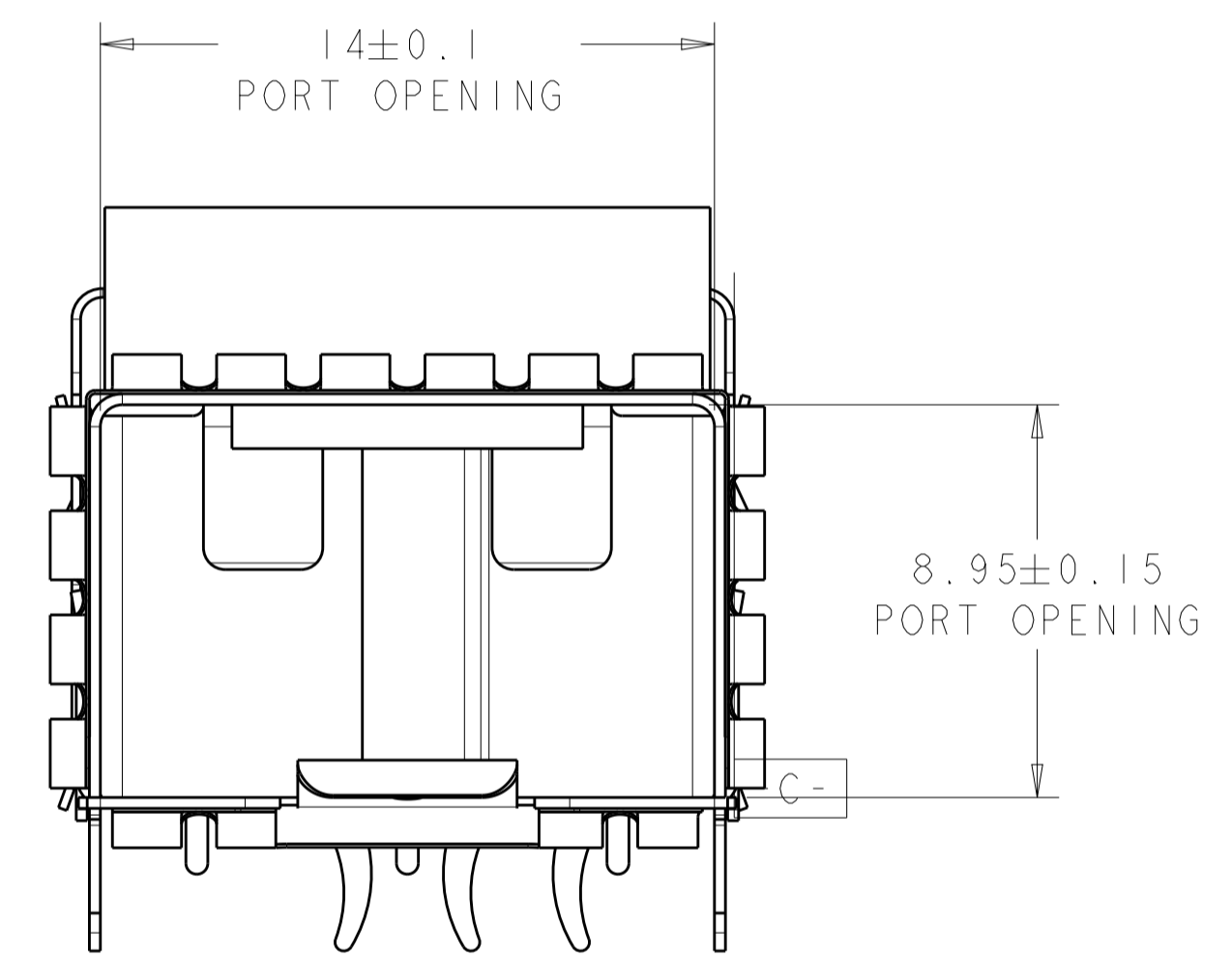
5 DATUM AND BASIC DIMENSION ESTABLISHED BY CUSTOMER.

6. MINIMUM PC BOARD THICKNESS:
 SINGLE SIDED = 1.50mm
 DOUBLE SIDED = 3.00mm

7 REFERENCE APPLICATION SPEC. 114-13120, HOLE A, FOR
 RECOMMENDED DRILL HOLE DIAMETER AND PLATING THICKNESS.



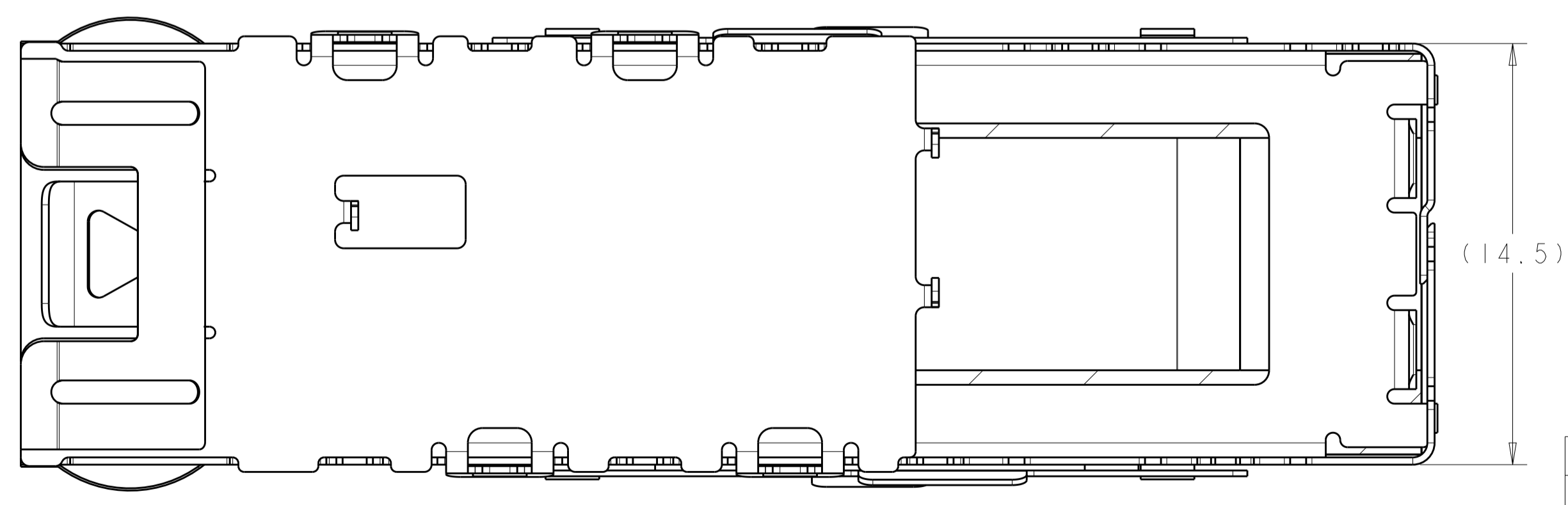
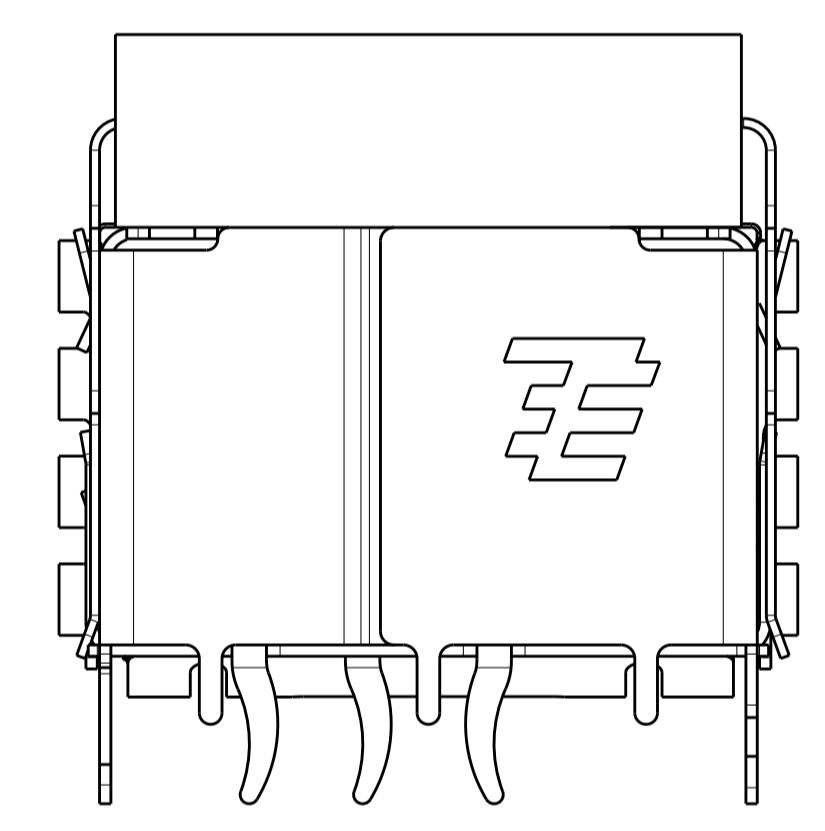
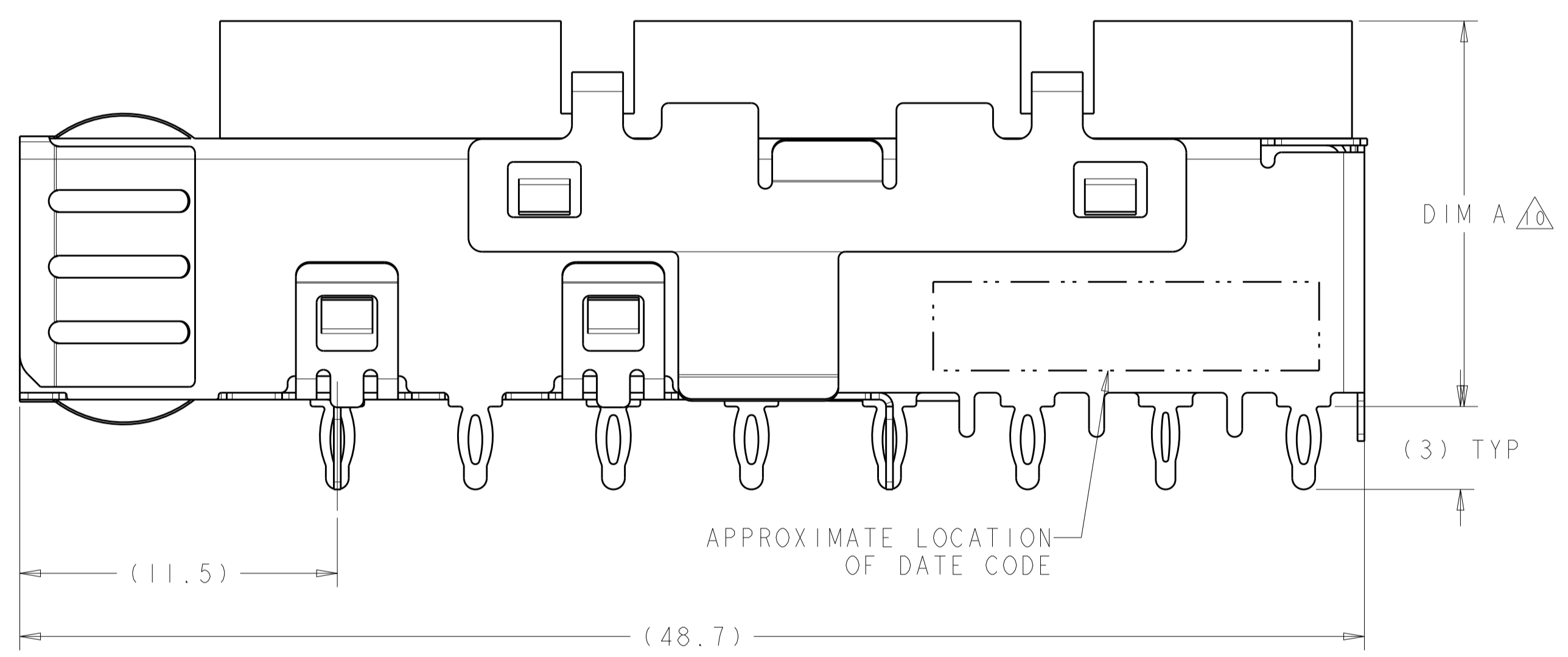
2170618-1
 SCALE 5:1



8 REFERENCE APPLICATION SPEC. 114-13120, HOLE C, FOR
 RECOMMENDED DRILL HOLE DIAMETER AND PLATING THICKNESS.

9 DIMENSION APPLIES PRIOR TO INSERTION OF SFP MODULE.

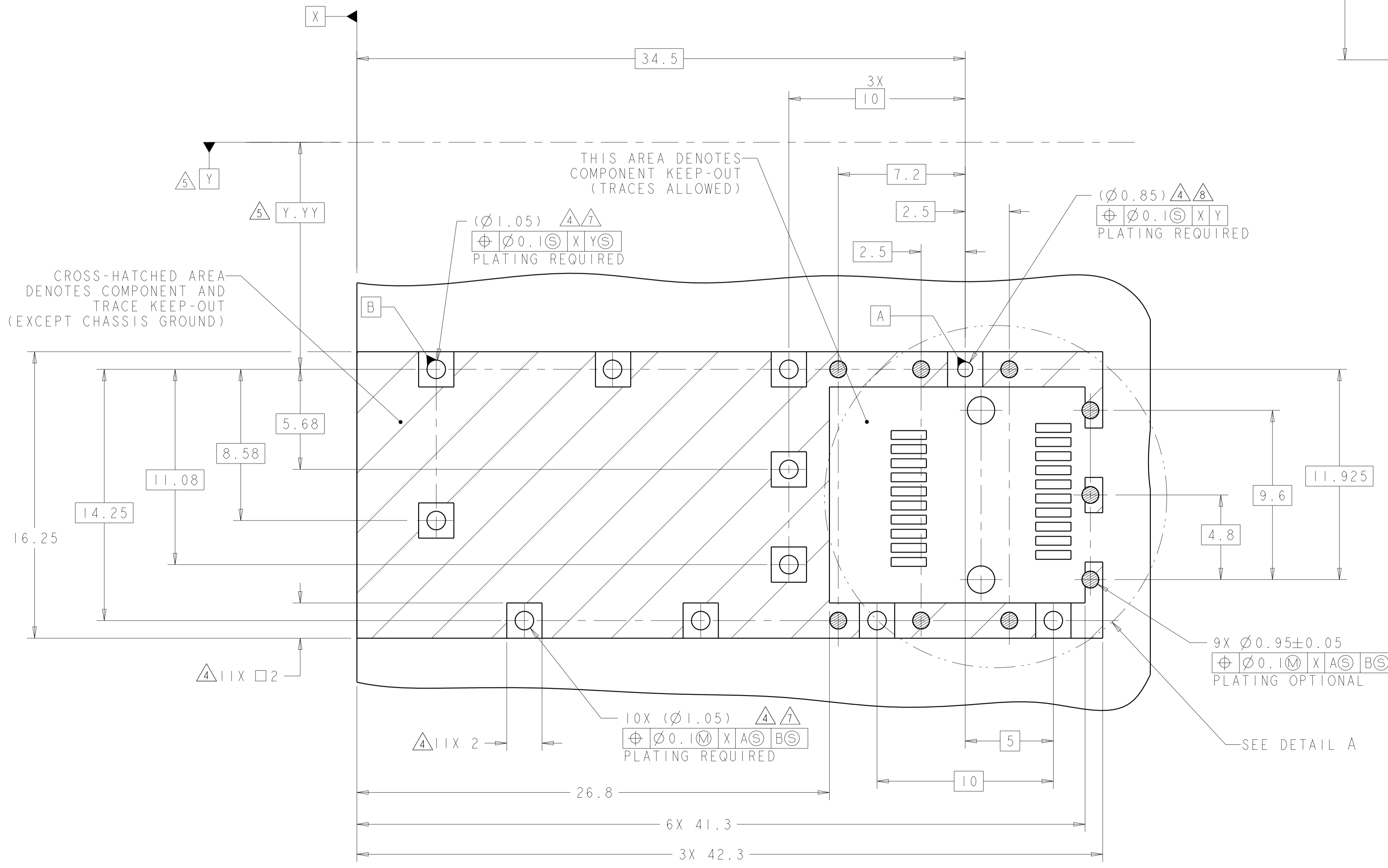
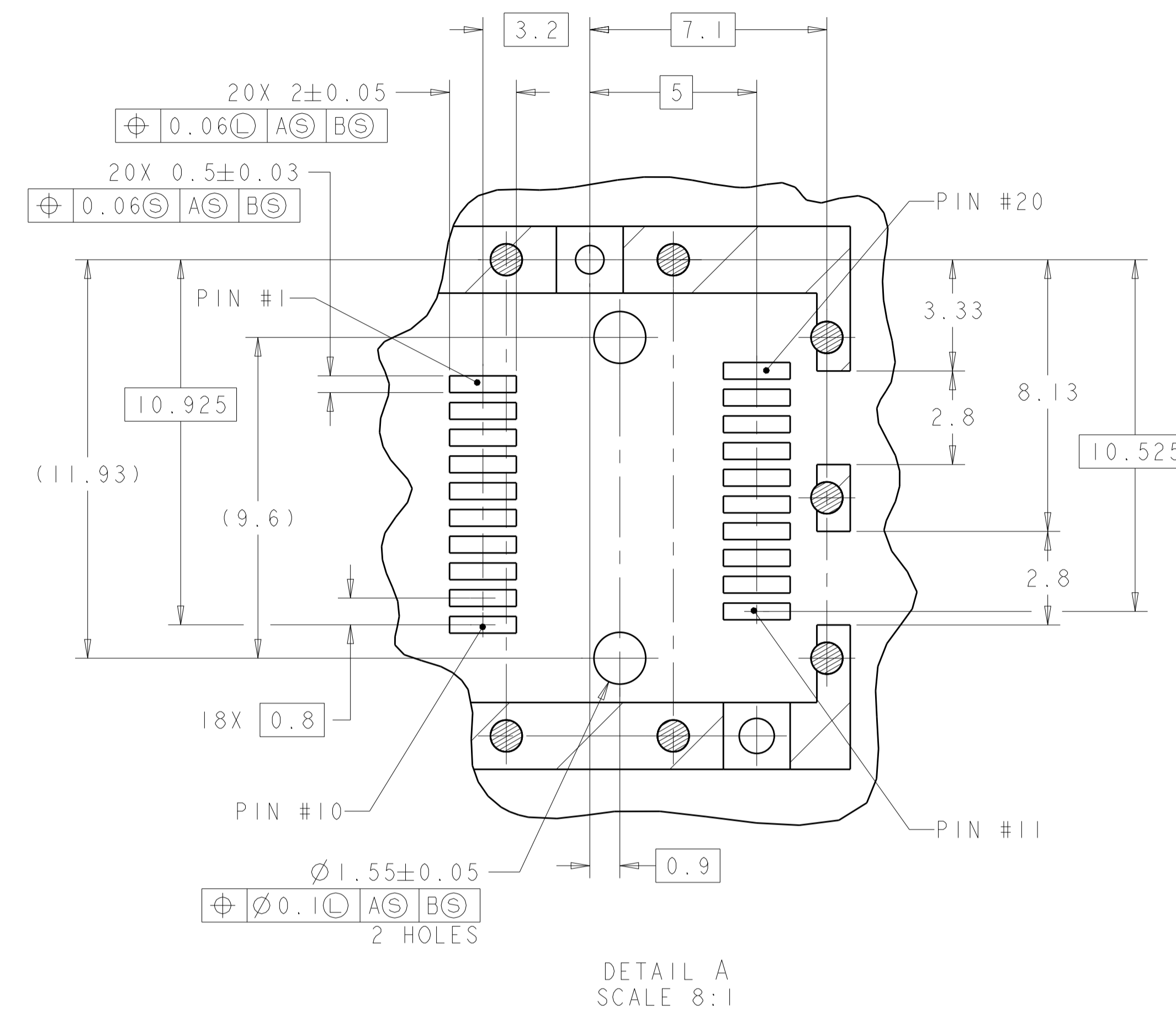
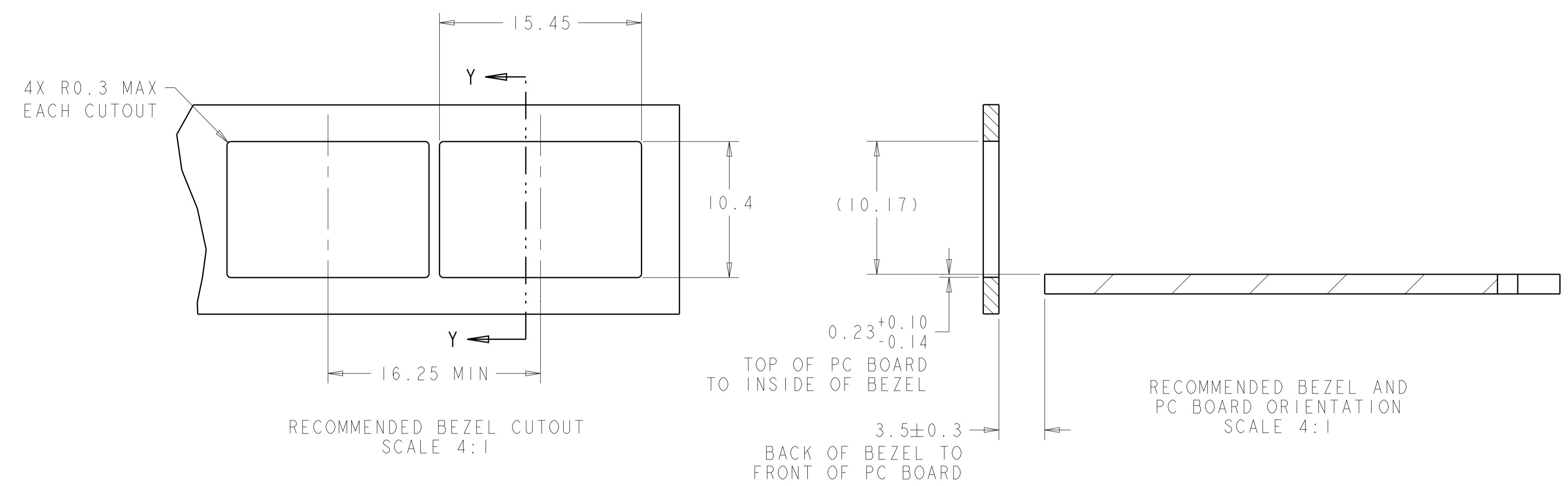
10 THE DIMENSION WAS DEFINED AFTER INSERTING TRANSCEIVER.



23.1+0.40/-0.30	2170619-4	1367646-4	2007198-2	2170618-2
14.5+0.40/-0.30	2170619-2	1367646-4	2007198-2	2170618-1
DIM A	HEATSINK PART NUMBER	HEATSINK CLIP PART NUMBER	CAGE PART NUMBER	PART NUMBER

THIS DRAWING IS A CONTROLLED DOCUMENT.		DWN: JASON ZHU 26SEP2013	
DIMENSIONS: mm		CHK: SEAN HAN 26SEP2013	
TOLERANCES UNLESS OTHERWISE SPECIFIED:		APVD: SEAN HAN 26SEP2013	
0 PLC ±0.1 1 PLC ±0.1 2 PLC ±0.1 3 PLC ±0.05 4 PLC ±0.05 ANGLES ±0.05		NAME: SFP+ IXI CAGE ASSEMBLY, PRESS-FIT PRESS-FIT, EMI SPRINGS WITH HEATSINK PRODUCT SPEC: 108-2364 APPLICATION SPEC: 114-13120 WEIGHT: - CUSTOMER DRAWING	
MATERIAL:	FINISH:	SIZE: A1	CAGE CODE: 00779 DRAWING NO: C=2170618 SCALE: 2 SHEET: 1 OF 2 REV: A

LOC	DIST	REV	DATE	APPD	APVD
GP	00				
P LTH		DESCRIPTION		DATE	DWN
		SEE SHEET 1			



RECOMMENDED PCB LAYOUT
SCALE 7:1

THIS DRAWING IS A CONTROLLED DOCUMENT.		DWN: JASON ZHU 26SEP2013	TE Connectivity
		CHK: SEAN HAN 26SEP2013	
DIMENSIONS:		APVD: SEAN HAN 26SEP2013	NAME: SFP+ IXI CAGE ASSEMBLY, PRESS-FIT PRESS-FIT, EMI SPRINGS WITH HEATSINK PRODUCT SPEC: 108-2364 APPLICATION SPEC: 114-13120
mm		SIZE: A100779C=2170618	
0 PLC ±0.1 1 PLC ±0.1 2 PLC ±0.1 3 PLC ±0.05 4 PLC ±0.05 ANGLES ±0.05		RESTRICTED TO:	
MATERIAL:		WEIGHT:	SCALE: 2 SHEET 2 OF 2 REV A
FINISH:		CUSTOMER DRAWING	