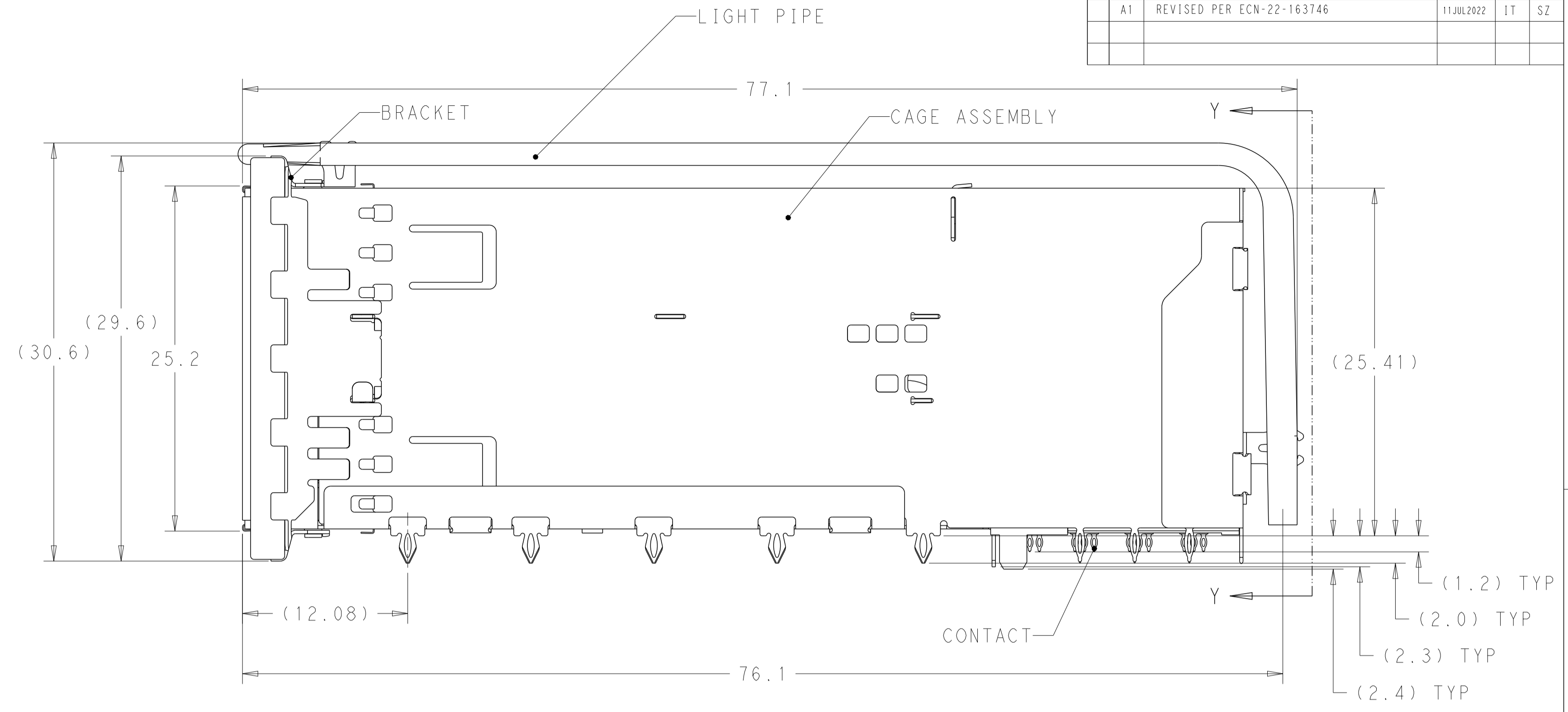
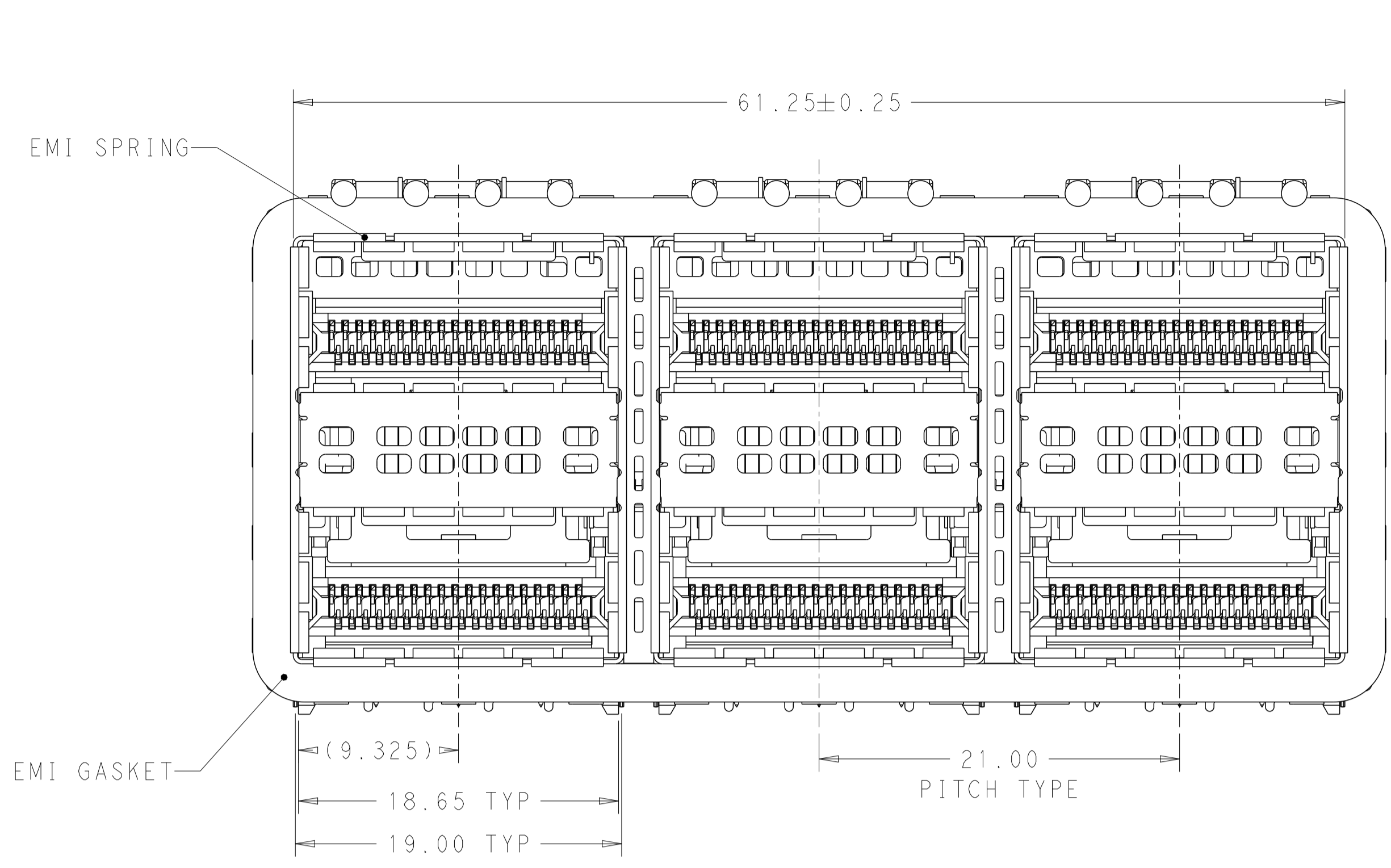
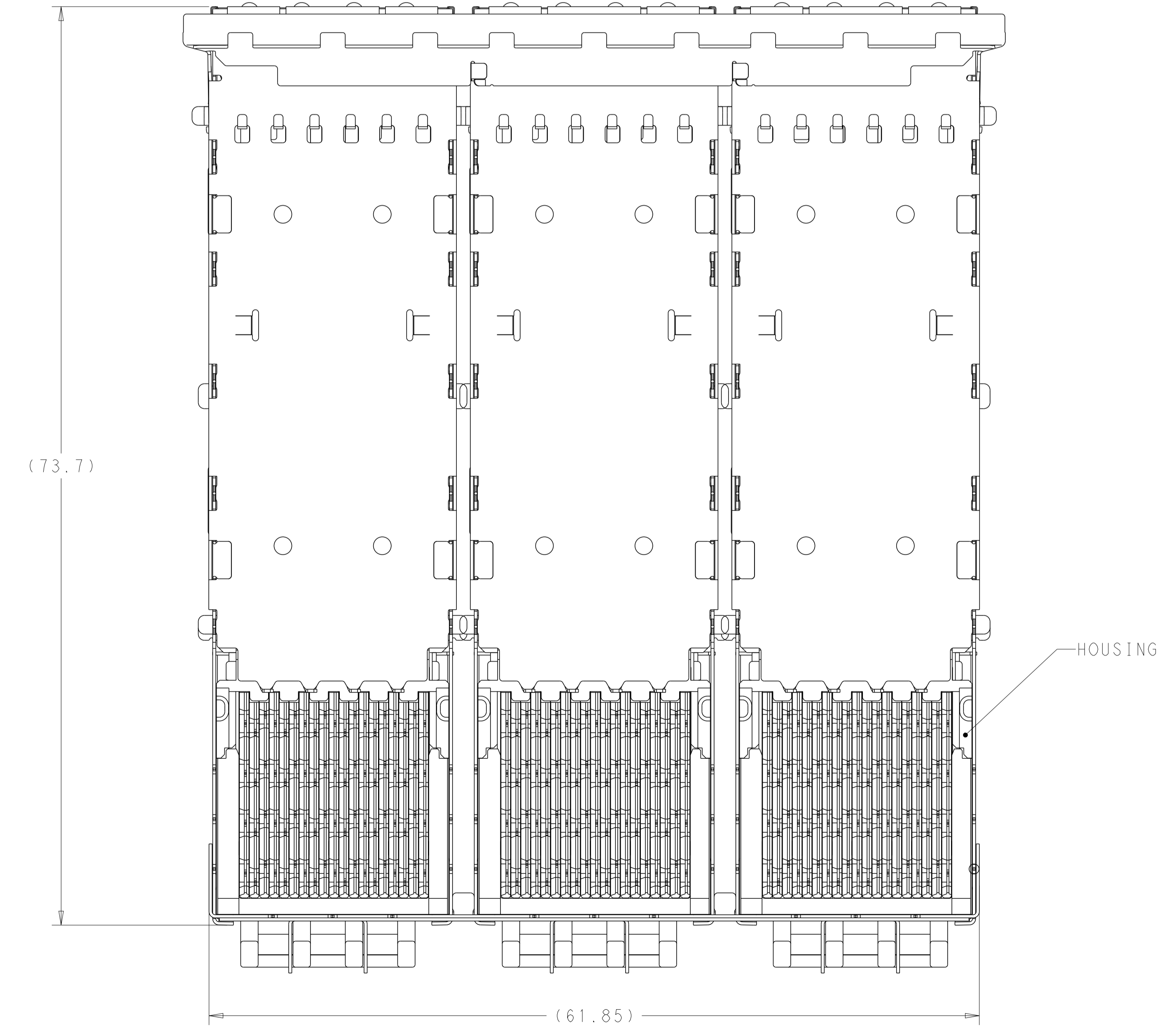


REVISIONS				
P	LTN	DESCRIPTION	DATE	APVD
A		PROMOTE TO PRODUCTION	04NOV2016	TX SH
A1		REVISED PER ECN-22-163746	11JUL2022	IT SZ



2170610-1 AS SHOWN



- MATERIALS:
CAGE ASSEMBLY- NICKEL SILVER ALLOY PER ASTM B 122.
BRACKET- STAINLESS STEEL.
EMI SPRING- COPPER ALLOY, NICKEL PLATED.
EMI GASKET- PLATED FILLED SILICONE.
HOUSING- POLYESTER LCP WITH 94V-0.
CHICKLET- POLYESTER LCP WITH 94V-0.
CONTACT- COPPER ALLOY.
LIGHTPIPE- POLYCARBONATE WITH 94V-0.
- CONTACT FINISH: 0.76µm GOLD ON MATING END, 1.25µm MATT TIN ON SOLDER TAIL, ALL OVER 1.27µm NICKEL.
- DATUM AND BASIC DIMENSION ESTABLISHED BY CUSTOMER.
- MINIMUM PCB THICKNESS: 1.57mm.
- THE ENTIRE AREA OF THE CONNECTOR FOOTPRINT, INDICATED BY THE DASHED LINE, TO BE CONSIDERED THE KEEPOUT AREA FOR COMPONENTS.
- CROSS-HATCHED AREAS REPRESENT ZONES ON THE PCB THAT COME IN CONTACT WITH OR BE IN CLOSE PROXIMITY TO THE PLASTIC HOUSING OR THE CONNECTOR CAGE. INDICATED AREAS TO BE CONSIDERED TRACE FREE.
- PART NUMBER AND DATE CODE MARKED IN APPROXIMATE AREA SHOWN.
- HATCHED AREA IS PLACEMENT ZONE FOR LED. LED SHOULD BE CENTERED WITHIN ZONE. RECOMMEND 0805 PACKAGE.
- CONTACT FINISH: 0.08µm MINIMUM GOLD OVER 0.68µm PALLADIUM-NICKEL ON MATING END, 1.25µm MATT TIN ON SOLDER TAIL, ALL OVER 1.27µm NICKEL.

CONTACT FINISHED	DESCRIPTION	PART NUMBER
2	Au PLATING	2170610-3
9	Pd-Ni PLATING	2170610-2
2	Au PLATING	2170610-1

THIS DRAWING IS A CONTROLLED DOCUMENT.

OWN: REVIN DING 21OCT13
CHK: JASON YANG 21OCT13
APVD: JASON YANG 21OCT13

DIMENSIONS: mm

TOLERANCES UNLESS OTHERWISE SPECIFIED:
0 PLC ±
1 PLC ±0.25
2 PLC ±0.15
3 PLC ±
4 PLC ±
ANGLES ±7°

FINISH: SEE NOTE 2

MATERIAL: SEE NOTE 1

WEIGHT: -

CUSTOMER DRAWING

TE Connectivity

NAME: CAGE AND CONNECTOR ASSEMBLY, WITH EMI GASKET, 2X3, THERMAL FOOTPRINT, ZQSPF+STACKED

PRODUCT SPEC: 108-60102

APPLICATION SPEC: 114-60015

SIZE: A1

CAGE CODE: 100779

DRAWING NO: 2170610

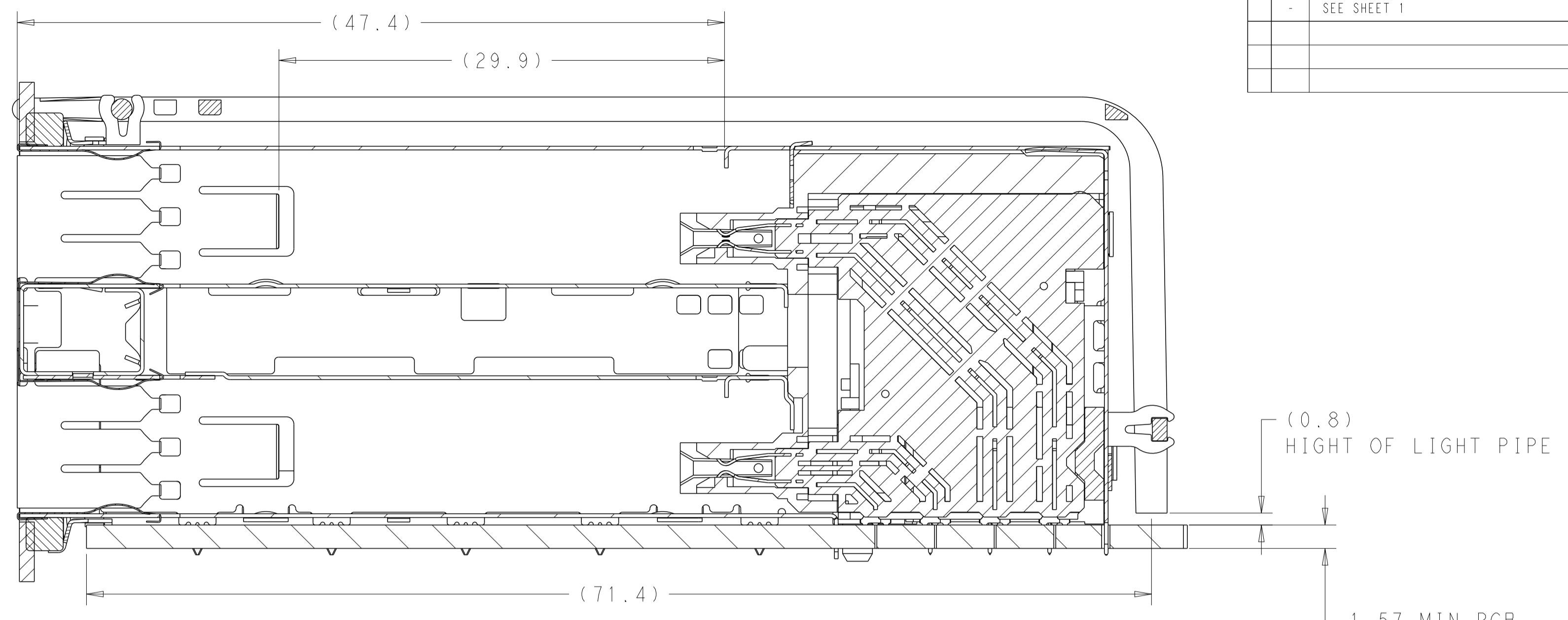
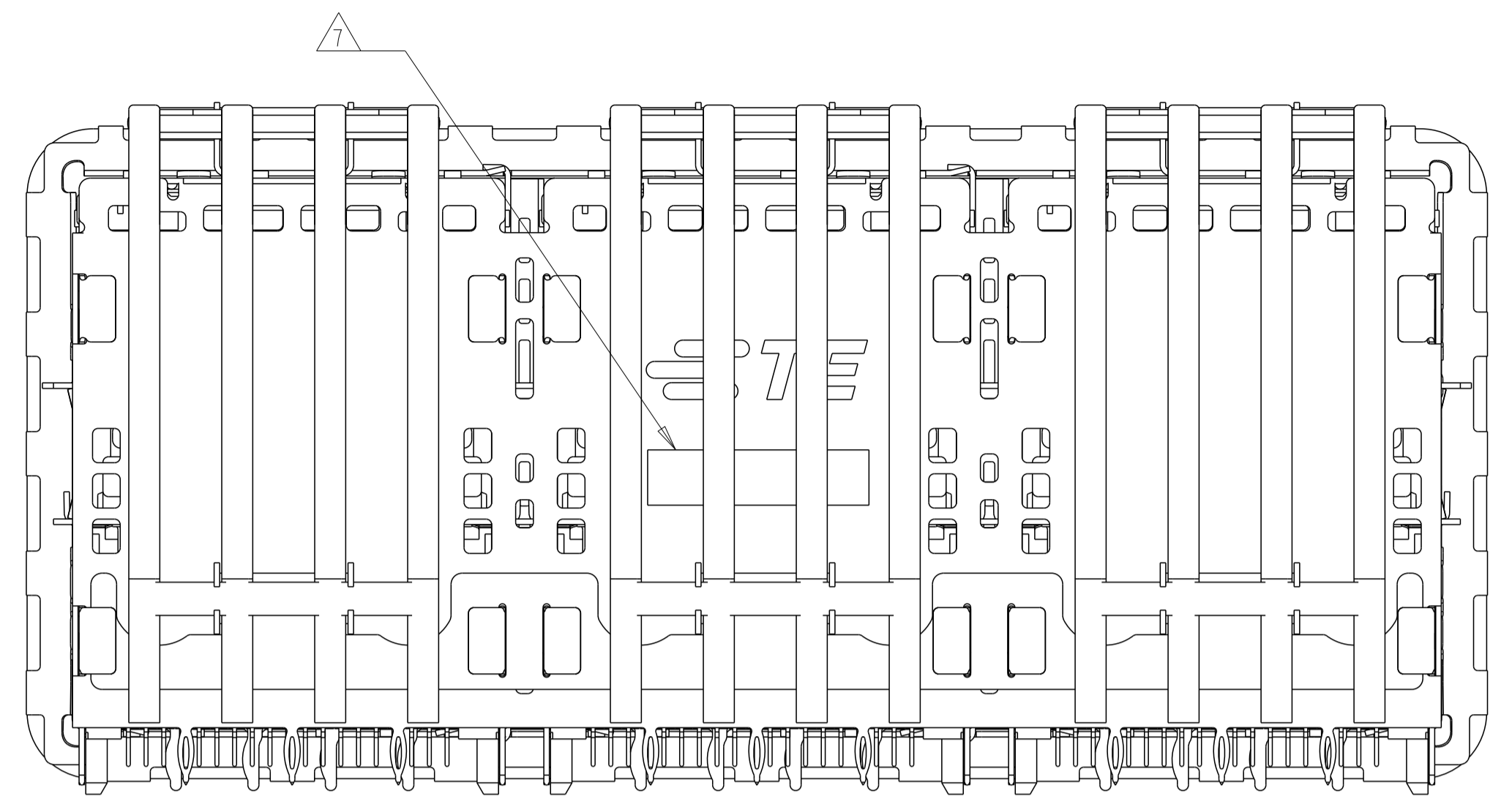
RESTRICTED TO: -

SCALE: 4:1

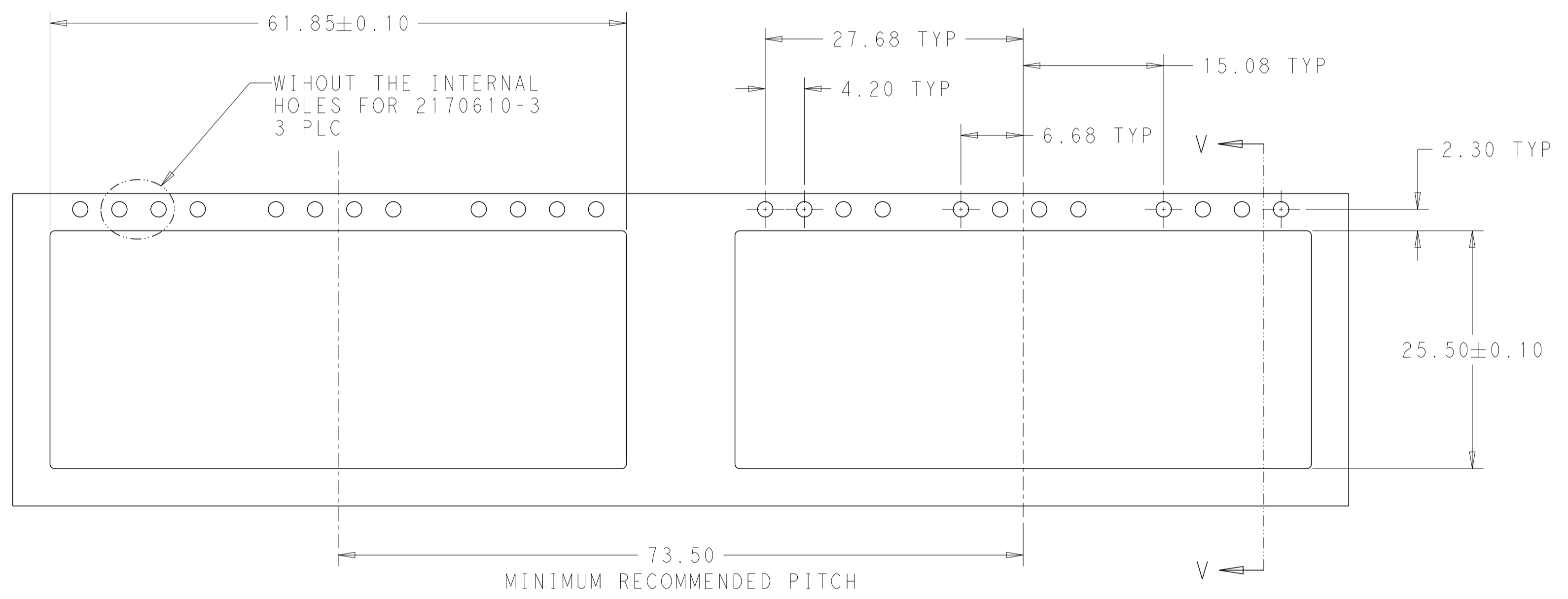
SHEET: 1 OF 4

REV: A1

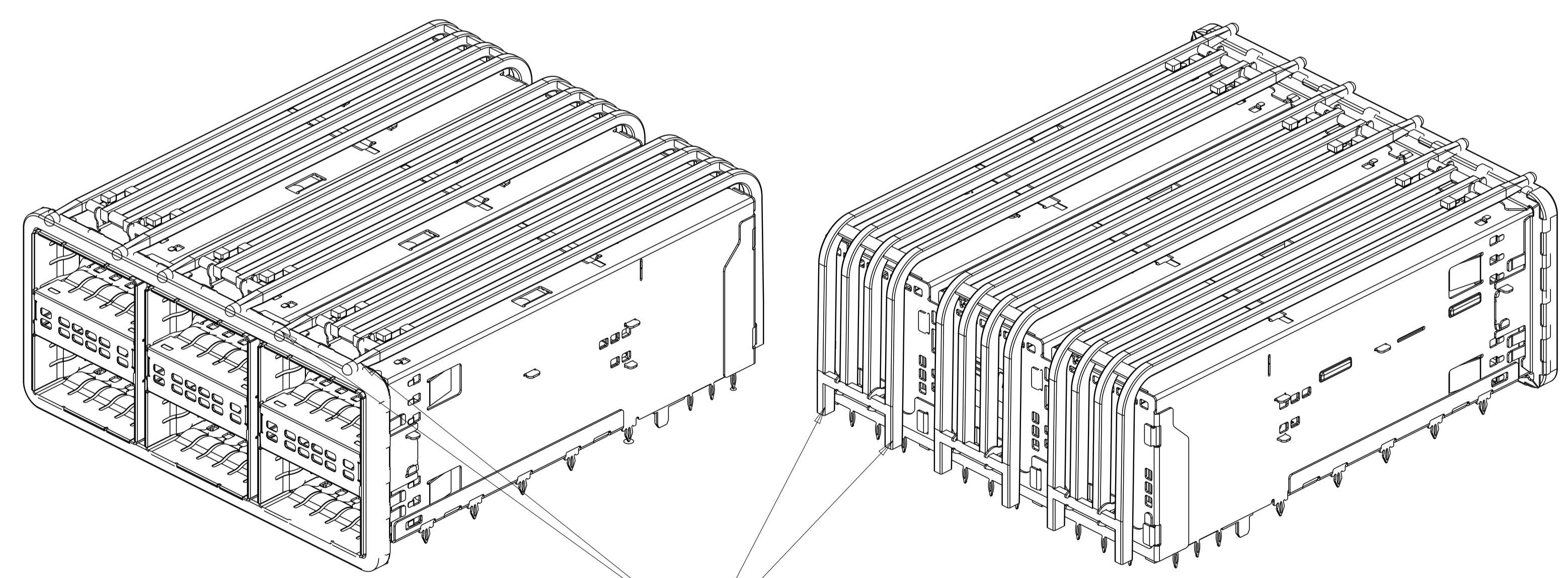
REVISIONS				
P. LTR.	DESCRIPTION	DATE	OWN	APVD
-	SEE SHEET 1	-	-	-



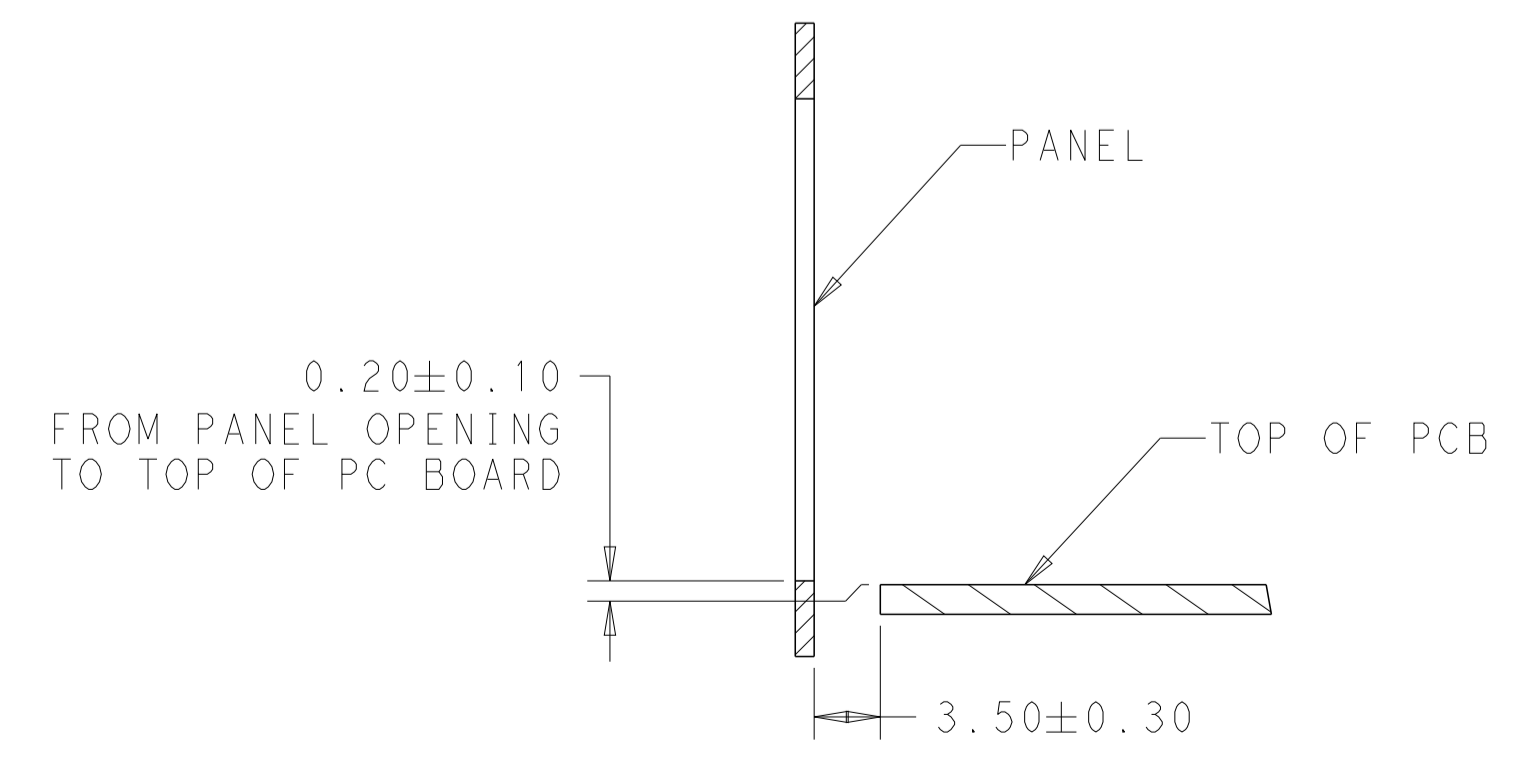
SECTION V-V
SCALE 4:1



RECOMMEND ED PANEL CUTOUT AND PC BOARD, PANEL POSITION



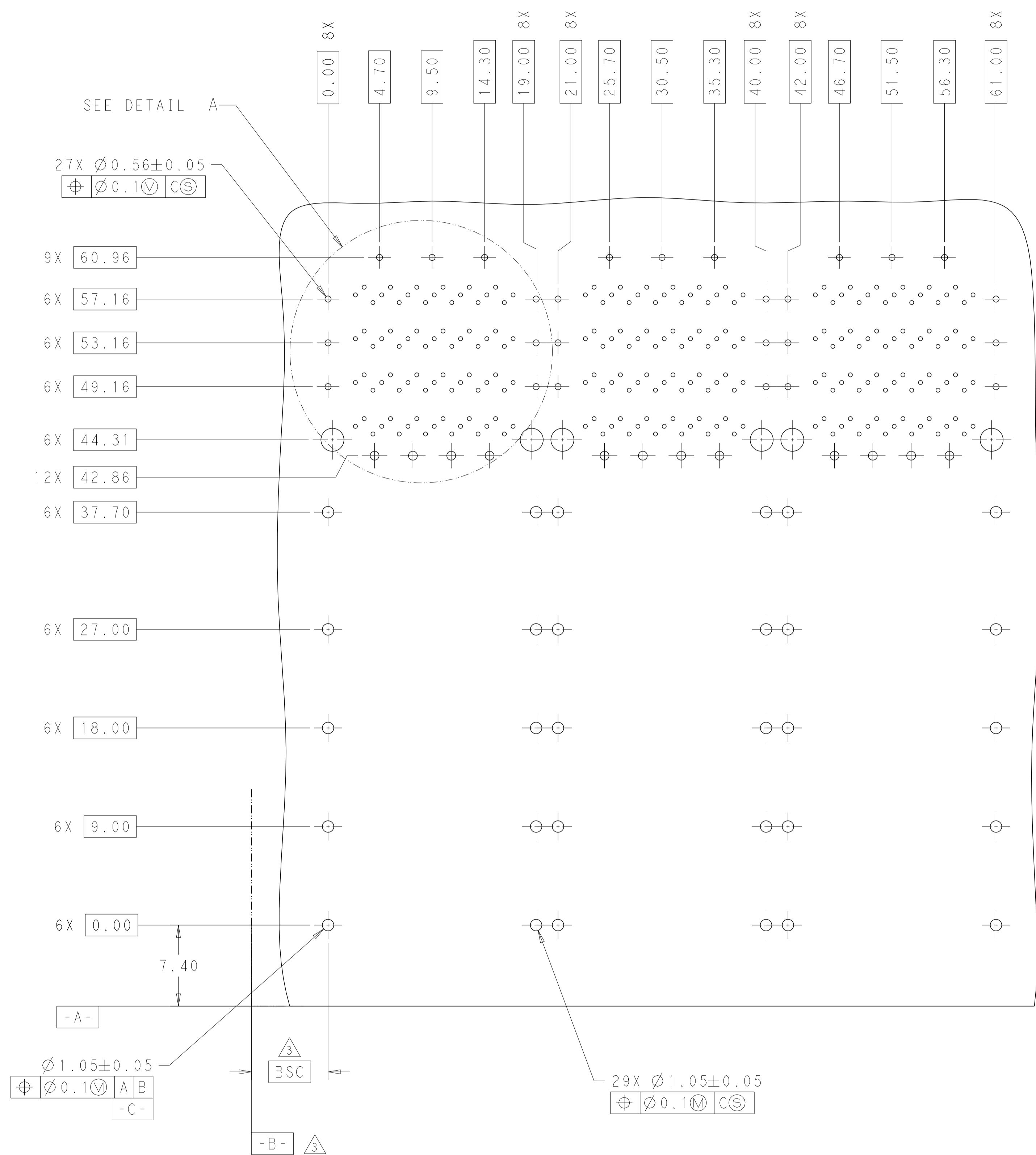
2170610-3 WITH TWO EXTERNAL LIGHT PIPES



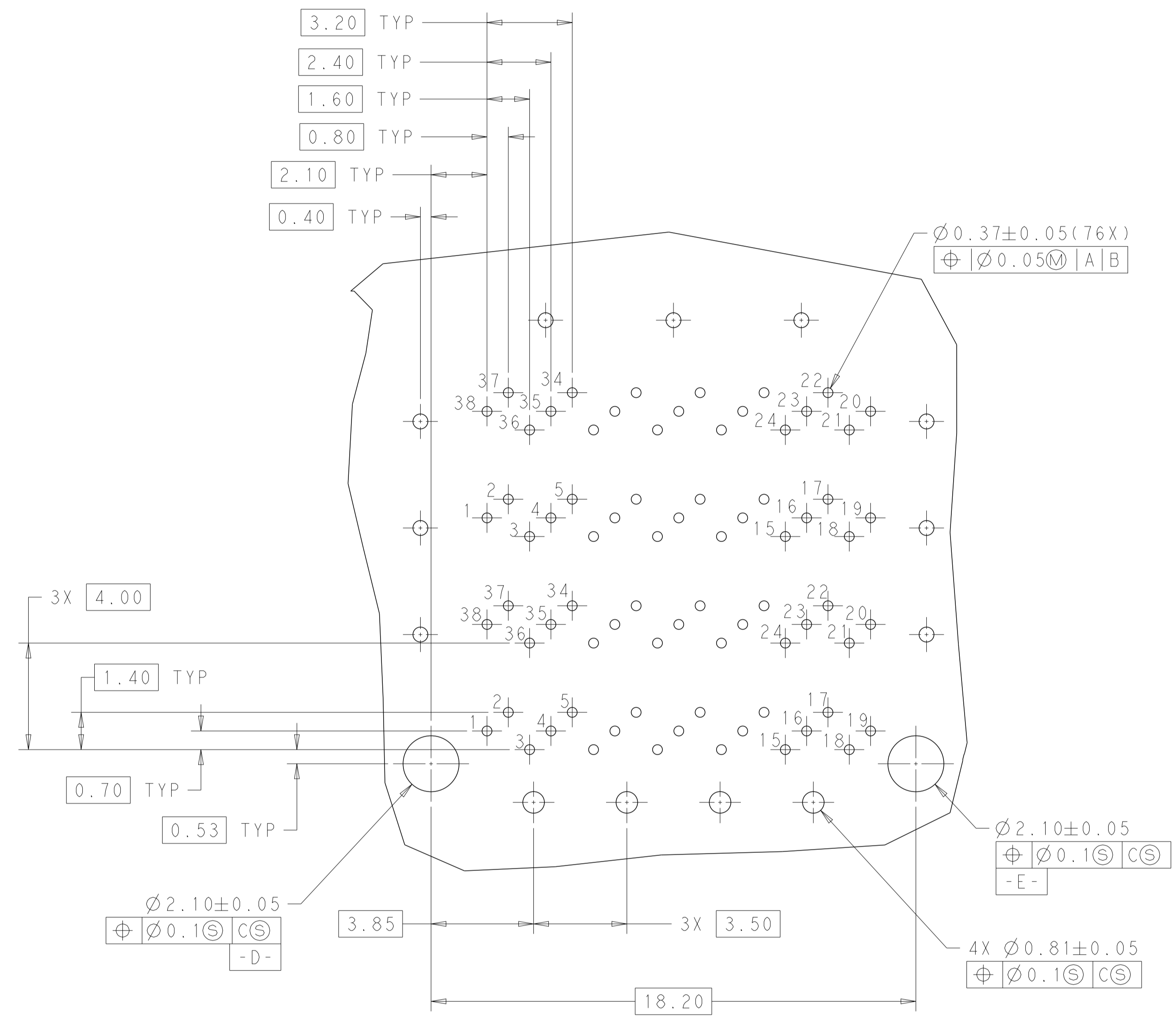
SECTION V-V

THIS DRAWING IS A CONTROLLED DOCUMENT.		OWN: REVIN DING 21OCT13	TE Connectivity
DIMENSIONS: mm		CHK: JASON YANG 21OCT13	
TOLERANCES UNLESS OTHERWISE SPECIFIED:		APVD: JASON YANG 21OCT13	NAME: CAGE AND CONNECTOR ASSEMBLY, WITH EMI GASKET, 2X3, THERMAL FOOTPRINT, ZOSFP+STACKED PRODUCT SPEC: 108-60102 APPLICATION SPEC: 114-60015
0 PLC ± 1 PLC ±0.25 2 PLC ±0.15 3 PLC ± 4 PLC ± ANGLES ±2°		SIZE: 114-60015 WEIGHT: - FINISH: SEE NOTE 2	
MATERIAL: SEE NOTE 1		CUSTOMER DRAWING SCALE: 4:1 SHEET 2 OF 4 REV A1	

REVISIONS				
P.	LTN.	DESCRIPTION	DATE	APVD.
-	-	SEE SHEET 1	-	-

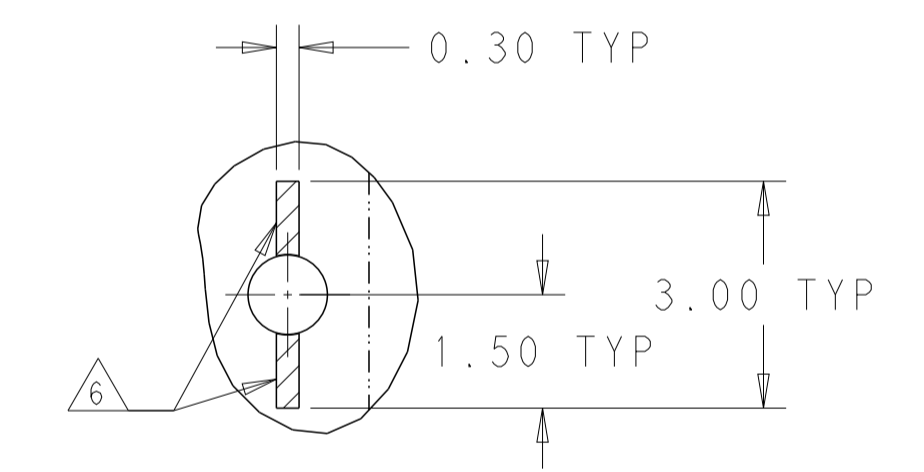
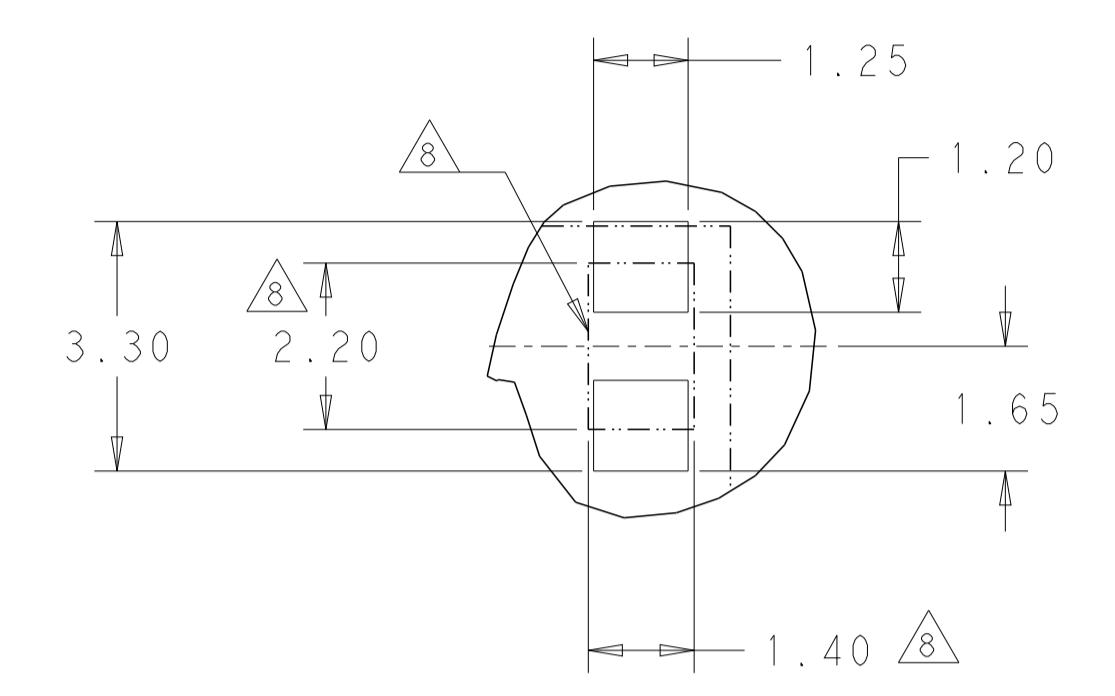
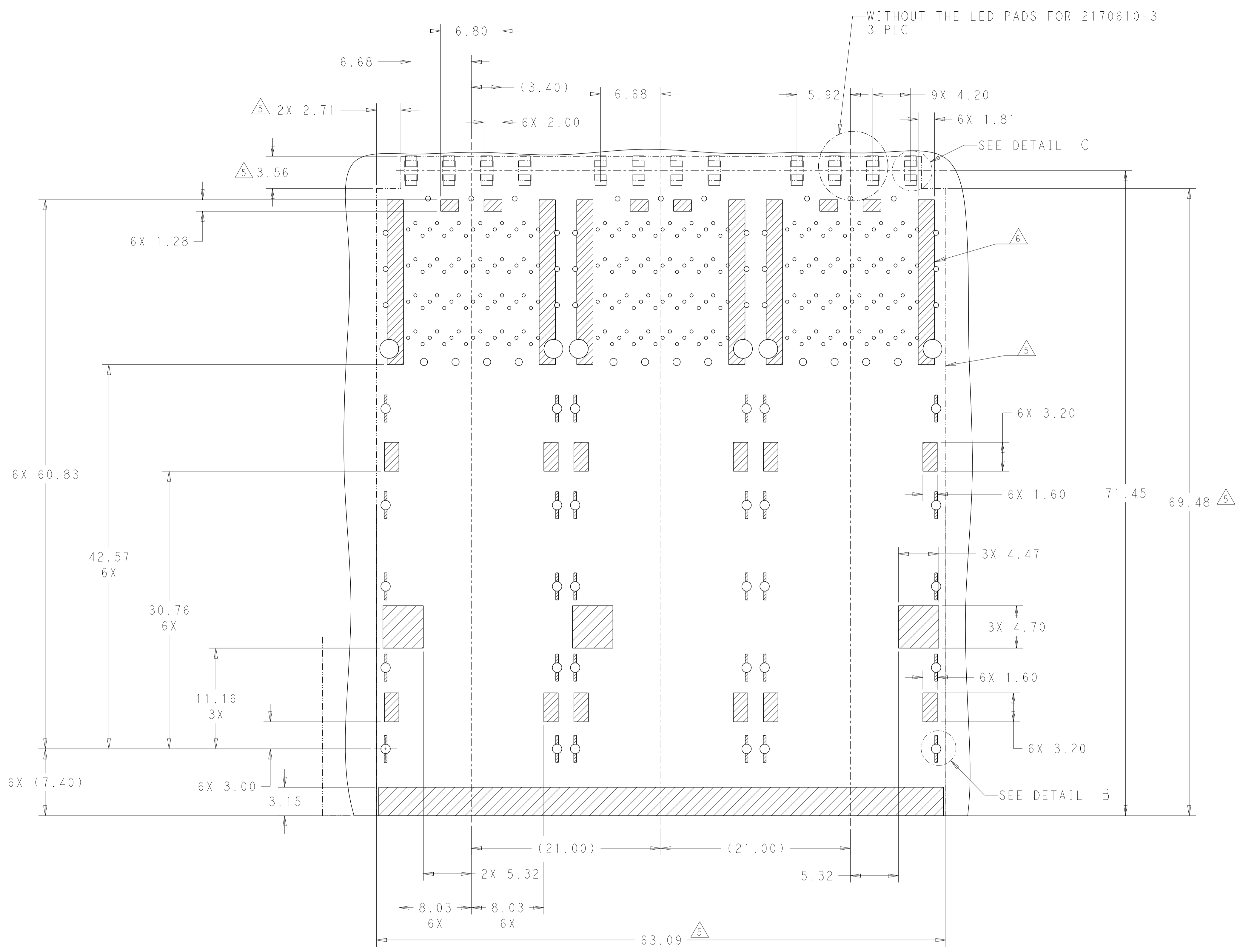


RECOMMENDED PC BOARD LAYOUT
 COMPONENT SIDE OF BOARD
 PCB TOLERANCE: ± 0.05



THIS DRAWING IS A CONTROLLED DOCUMENT.		DWN: REVIN DING 21OCT13 CHK: JASON YANG 21OCT13 APVD: JASON YANG 21OCT13	TE Connectivity
DIMENSIONS: mm	TOLERANCES UNLESS OTHERWISE SPECIFIED: 0 PLC \pm 1 PLC ± 0.25 2 PLC ± 0.15 3 PLC \pm 4 PLC \pm ANGLES $\pm 2^\circ$ FINISH	NAME: JASON YANG 21OCT13 PRODUCT SPEC: 108-60102 APPLICATION SPEC: 114-60015 WEIGHT: -	
MATERIAL: SEE NOTE 1	SEE NOTE 2	SIZE: 114-60015 CAGE CODE: A100779 DRAWING NO: C=2170610	RESTRICTED TO: - SCALE: 4:1 SHEET: 3 OF 4 REV: A1

REVISIONS				
P.	LTN.	DESCRIPTION	DATE	APVD.
-	-	SEE SHEET 1	-	-



KEEPOUT AREAS
COMPONENT SIDE OF BOARD

THIS DRAWING IS A CONTROLLED DOCUMENT.		OWN: REVIN DING 210CT13	TE Connectivity
DIMENSIONS: mm		CHK: JASON YANG 210CT13	
TOLERANCES UNLESS OTHERWISE SPECIFIED:		APVD: JASON YANG 210CT13	NAME: CAGE AND CONNECTOR ASSEMBLY, WITH EMI GASKET, 2X3, THERMAL FOOTPRINT, ZQSFP+STACKED PRODUCT SPEC: 108-60102 APPLICATION SPEC: 114-60015
0 PLC ± 1 PLC ±0.25 2 PLC ±0.15 3 PLC ± 4 PLC ± ANGLES ±2° FINISH:		SIZE: 114-60015 WEIGHT: - MATERIAL: SEE NOTE 1 FINISH: SEE NOTE 2	
MATERIAL: SEE NOTE 1		FINISH: SEE NOTE 2	CUSTOMER DRAWING SCALE: 4:1 SHEET 4 OF 4 REV: A1