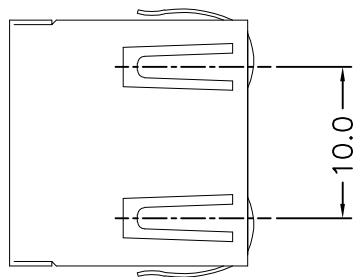


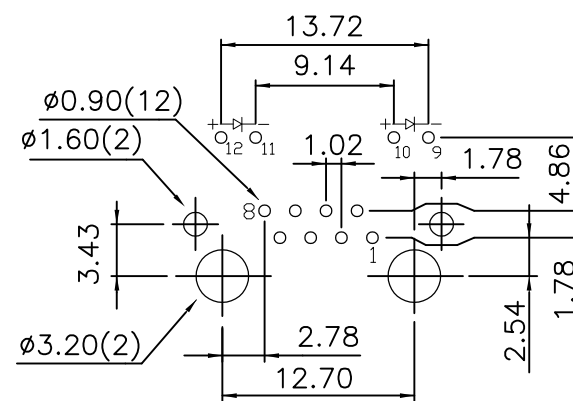
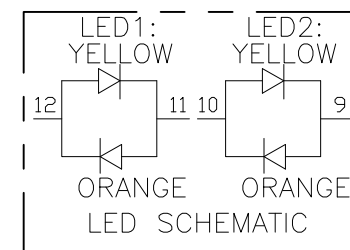
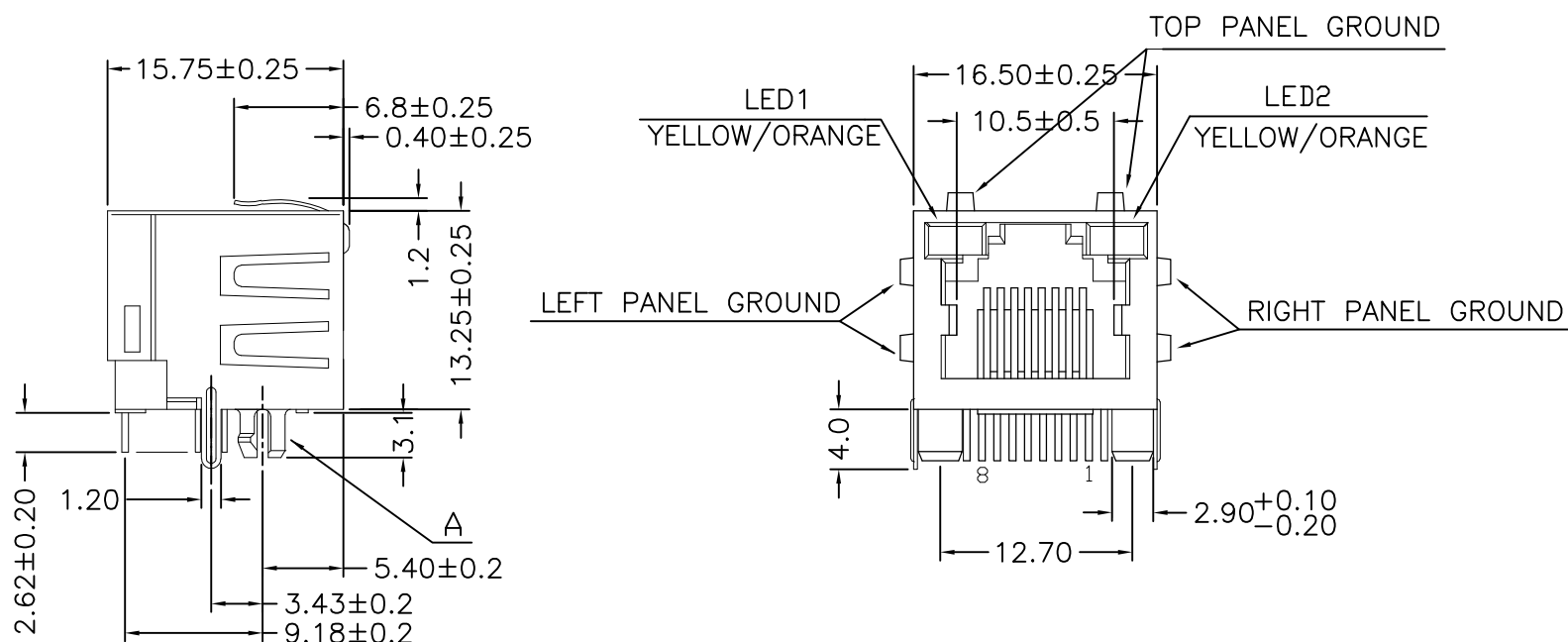
THIS DRAWING IS UNPUBLISHED. RELEASED FOR PUBLICATION

© COPYRIGHT - By - ALL RIGHTS RESERVED.

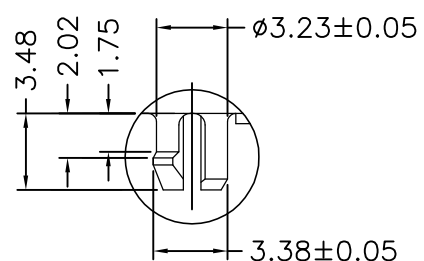
LOC	DIST	REVISIONS			
P	LTR	DESCRIPTION	DATE	DWN	APVD
-	-	A	INITIAL RELEASED	02SEP2013	L.L S.H



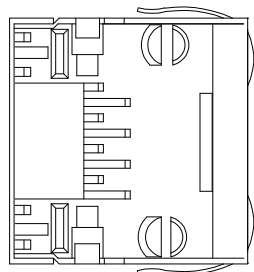
▲ MATERIALS:
 HOUSING - DSM STANYL TE250F6 (NYLON-46), HEAT DEFLECTION TEMP. 290°, BLACK COLOR, UL94V-0.
 CONTACTS - 0.35mm THICK PHOS-BRONZE PLATED WITH HARD GOLD AND (SEE TABLE) IN SOLDER AREA.
 SHIELD - 0.25mm THICK COPPER ALLOY, PLATED WITH NICKEL.
 2. CAVITY CONFIRMS TO FCC RULES AND REGULATIONS PART 68, SUBPART F.



REXOMMENDED PRINTED CIRCUIT BOARD (COMPONENT SIDE)



DETAIL A SCALE: 2:1



0.381µm [15µ"]	2170588-2
GOLD FLASH	2170588-1
MIN. GOLD THICKNESS	PART NUMBER

THIS DRAWING IS A CONTROLLED DOCUMENT.		DWN L. Li 16AUG2013	STE TE Connectivity		
DIMENSIONS: mm		CHK S. Han			
TOLERANCES UNLESS OTHERWISE SPECIFIED:		APVD S. Han	RJ45, WITH LED'S, SHIELDED FLAT PIN, SIDE ENTRY JACK		
0 PLC ± -		PRODUCT SPEC 108-1163-4	RESTRICTED TO		
1 PLC ± 0.25		APPLICATION SPEC 114-2154	SIZE	CAGE CODE	DRAWING NO
2 PLC ± 0.13		WEIGHT -	A3	00779	C-2170588
3 PLC ± 0.05		CUSTOMER DRAWING	SCALE	SHEET	REV
4 PLC ± -			1:1	1 OF 1	A
ANGLES ± -					
MATERIAL		FINISH SEE NOTES			