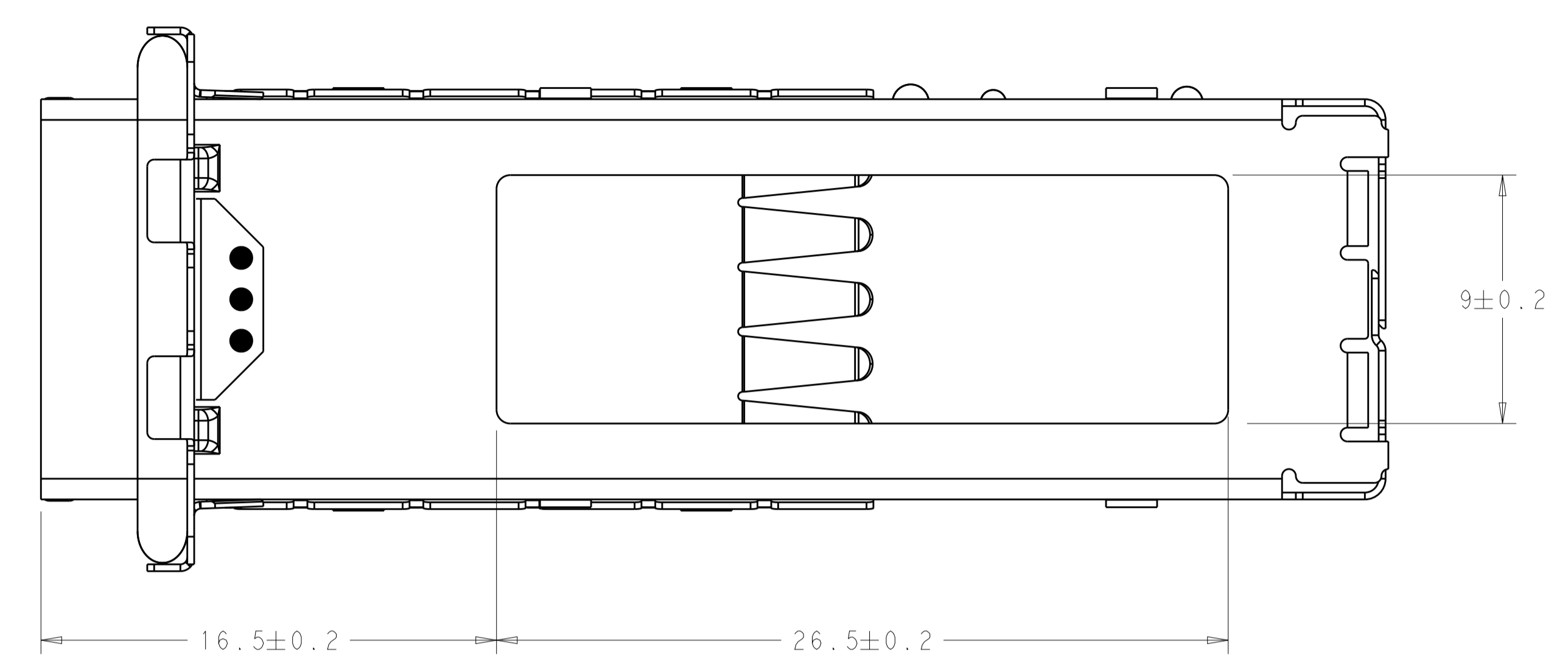
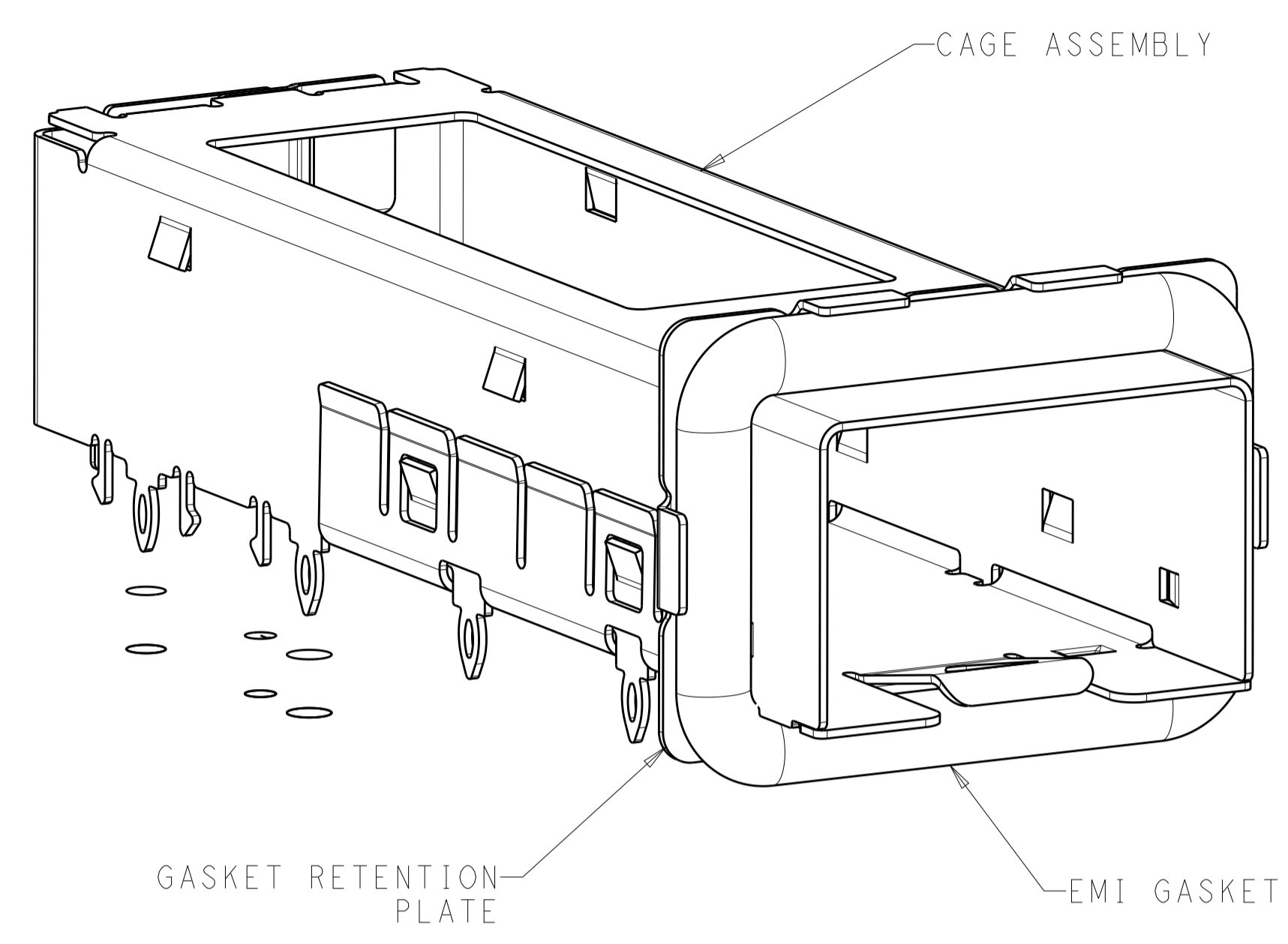
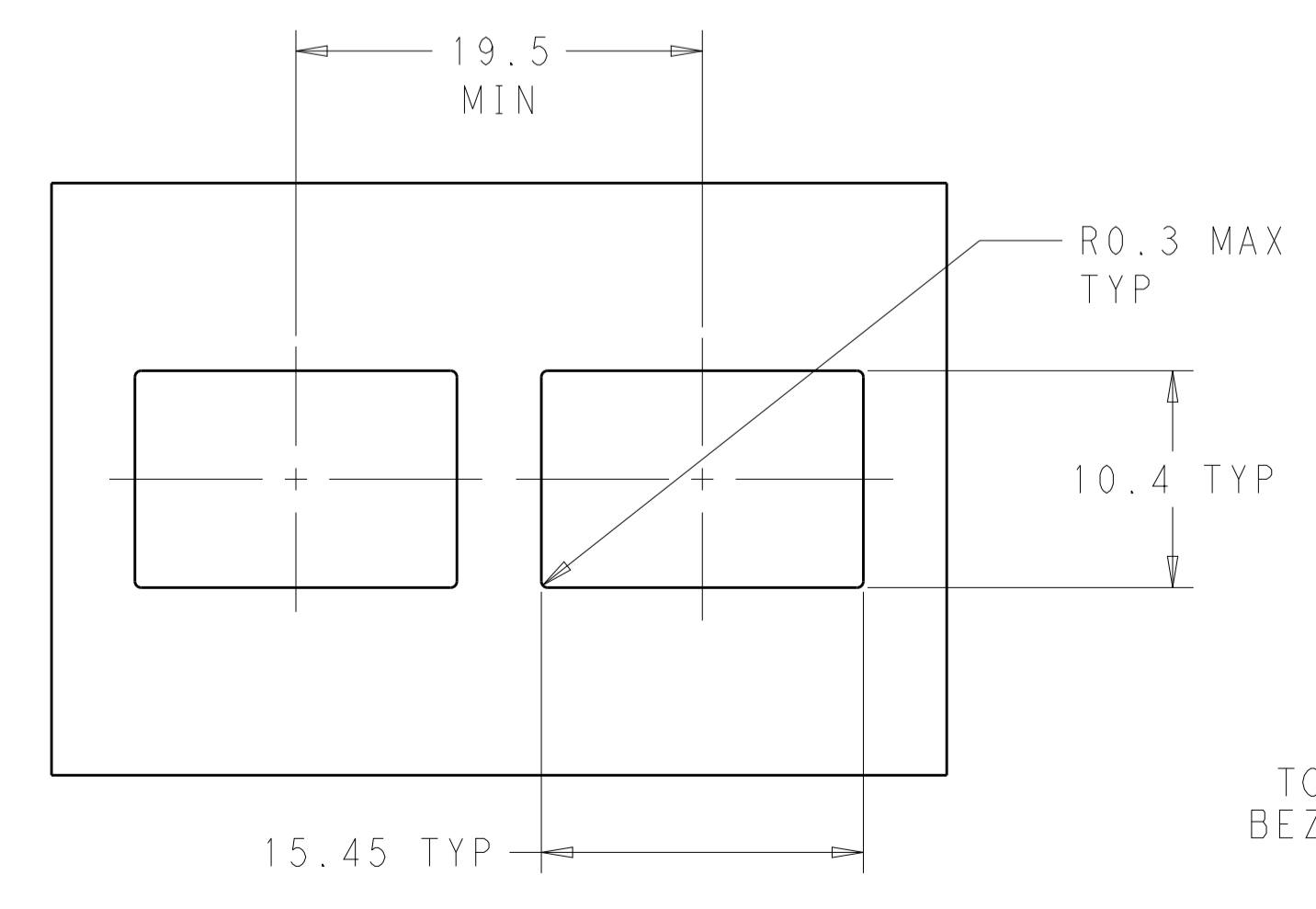
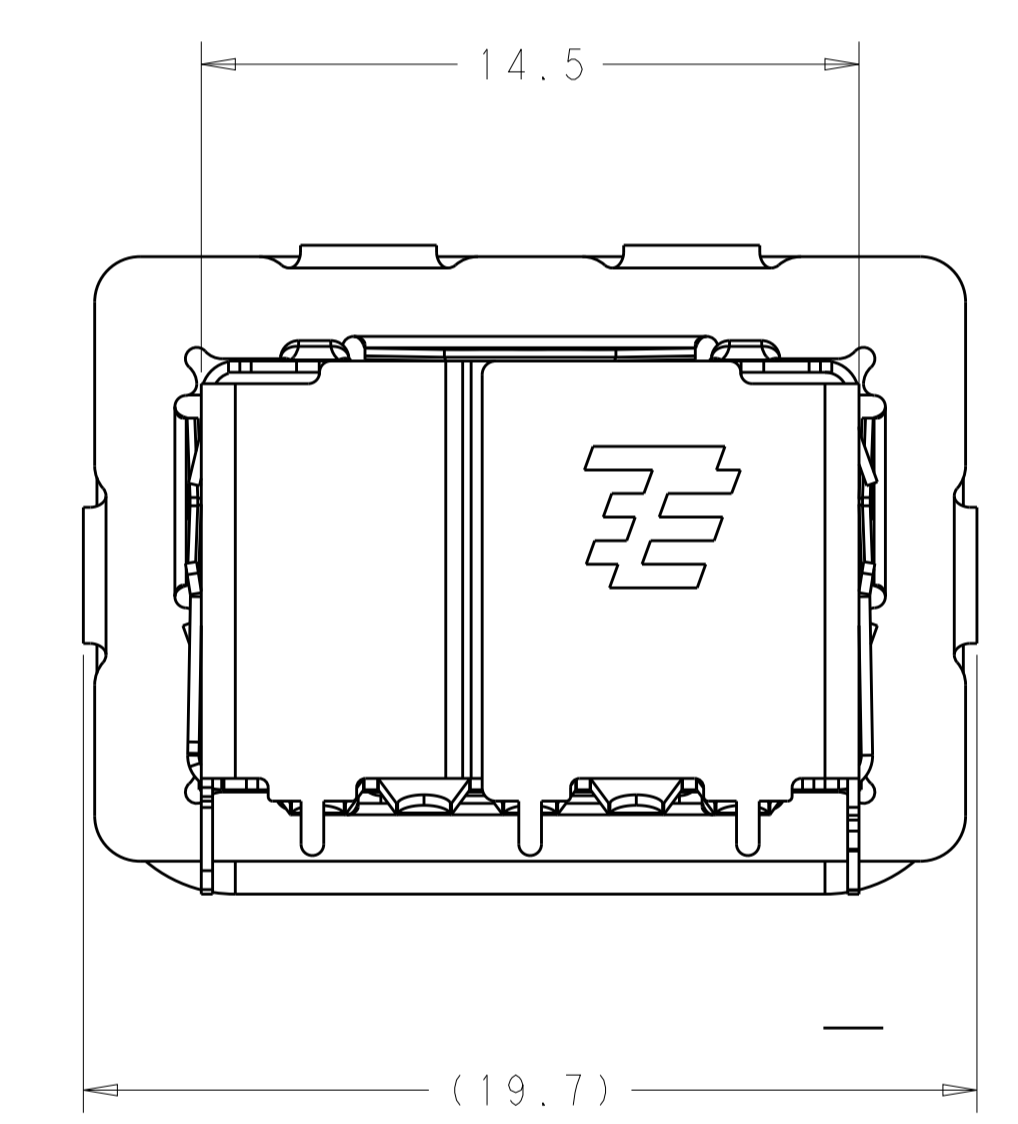
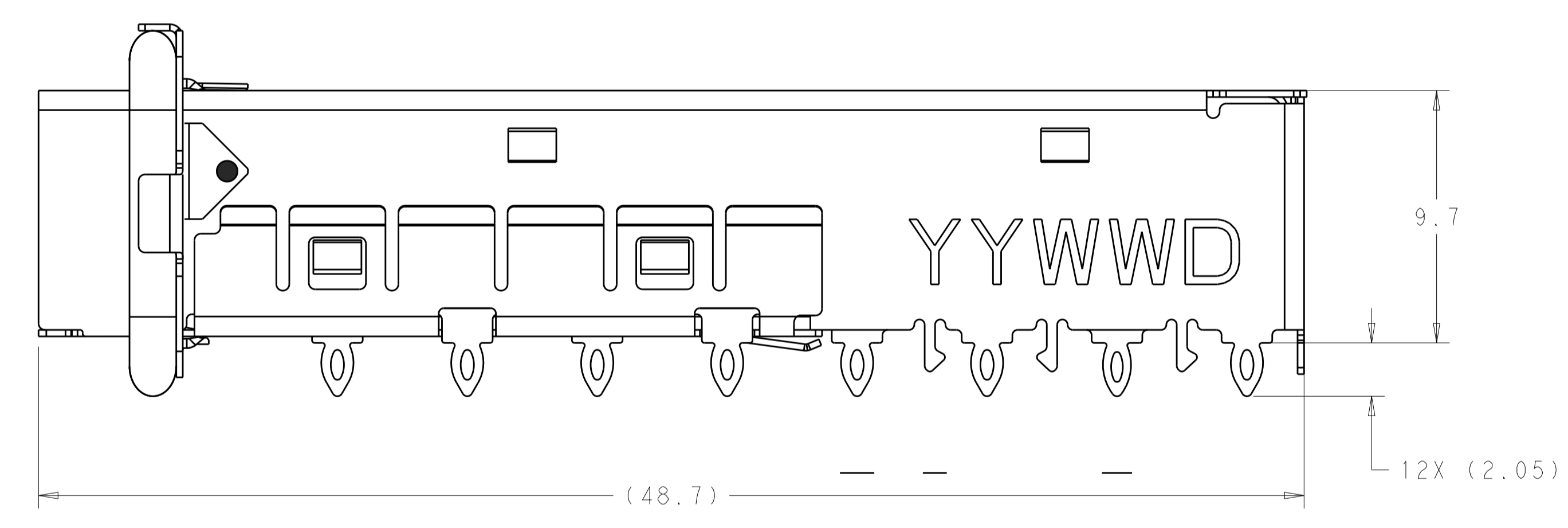
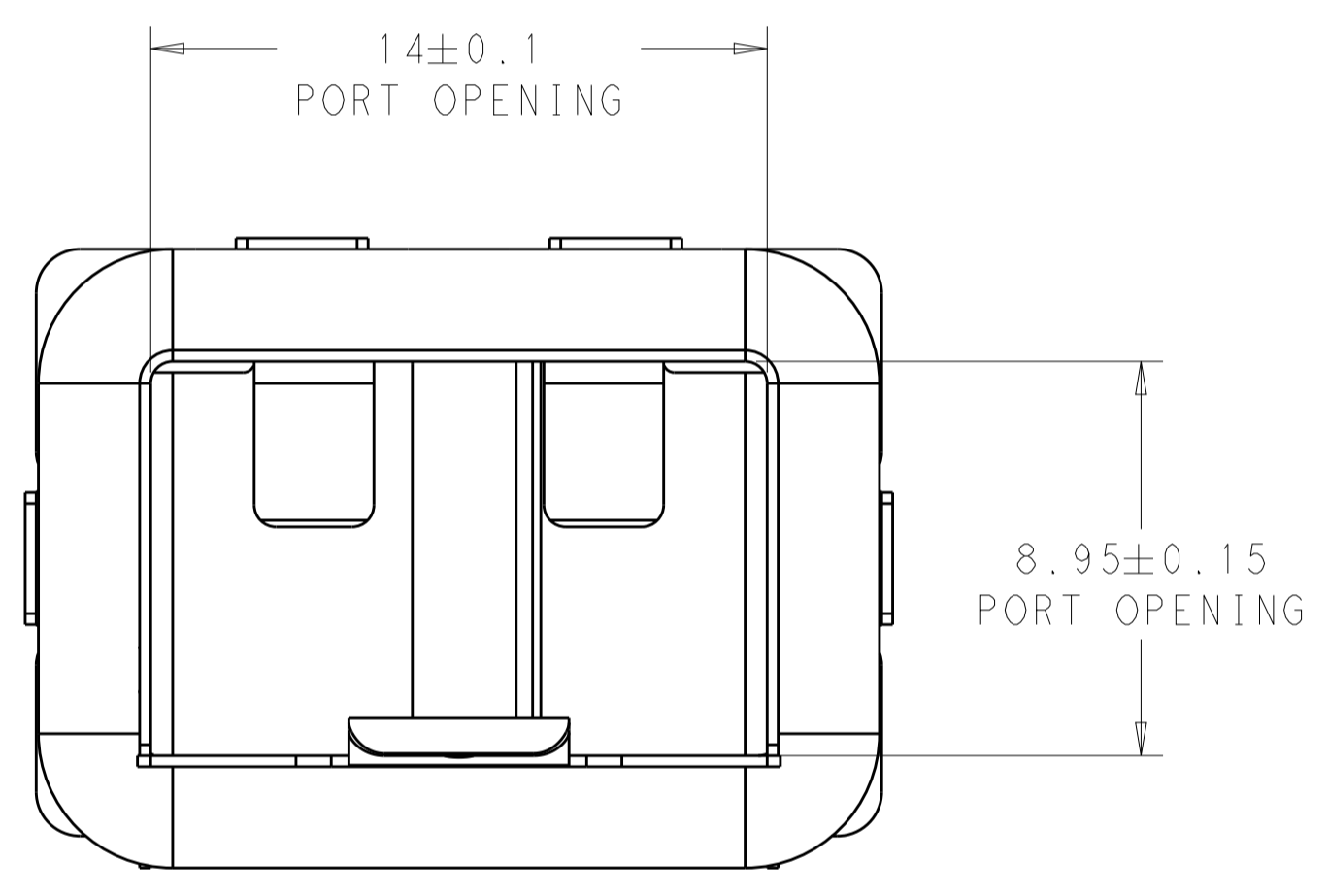


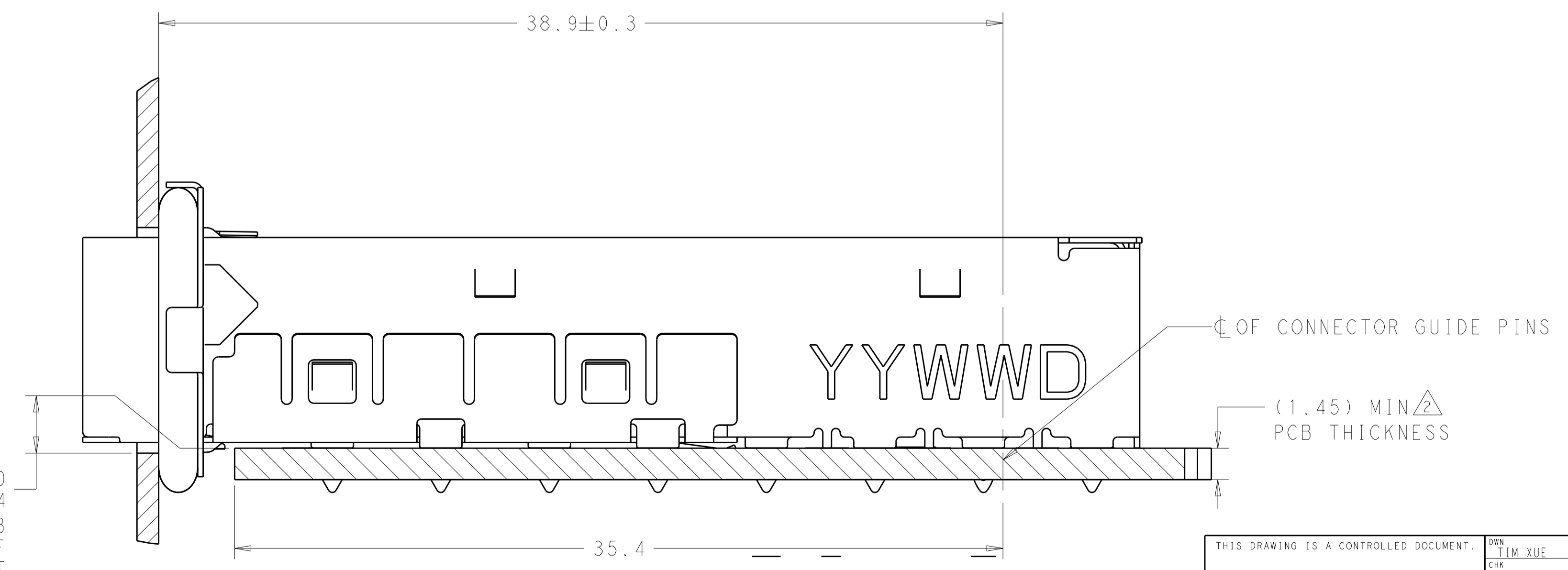
LOC		DIST		REVISIONS			
GP	00	P	LTN	DESCRIPTION	DATE	DWN	APVD
		A		RELEASED	24DEC2015	JW	SH



- 1 MATERIAL:
 CAGE ASSEMBLY: NICKEL SILVER ALLOY, 0.25mm THK.
 GASKET RETENTION PLATE: STAINLESS STEEL
 EMI GASKET: PLATED FILLED SILICONE
- 2 MINIMUM PC BOARD THICKNESS:
 SINGLE SIDED = 1.45mm, DOUBLE SIDE = 3.00mm.
- 3 PADS AND VIAS CHASSIS GROUND.
- 4 DATUM AND BASIC DIMENSION ESTABLISHED BY CUSTOMER.
- 5. MATES WITH SFP MSA COMPLIANT TRANSCEIVERS.
- 6. INTERPRETATION OF DATUM REFERENCE FRAME IN ACCORDANCE WITH SECT 4.4.1.1 OF ASME Y14.5M-1994.
- 7 REFERENCE APPLICATION SPEC. 114-13120, HOLE A, FOR RECOMMENDED DRILL HOLE DIAMETER AND PLATING THICKNESS.
- 8 REFERENCE APPLICATION SPEC. 114-13120, HOLE B, FOR RECOMMENDED DRILL HOLE DIAMETER AND PLATING THICKNESS.



0.23^{+0.10}_{-0.14}
 TOP TO PCB
 TO INSIDE OF
 BEZEL CUT-OUT



RECOMMENDED BEZEL CUT-OUT
 SCALE 3:1

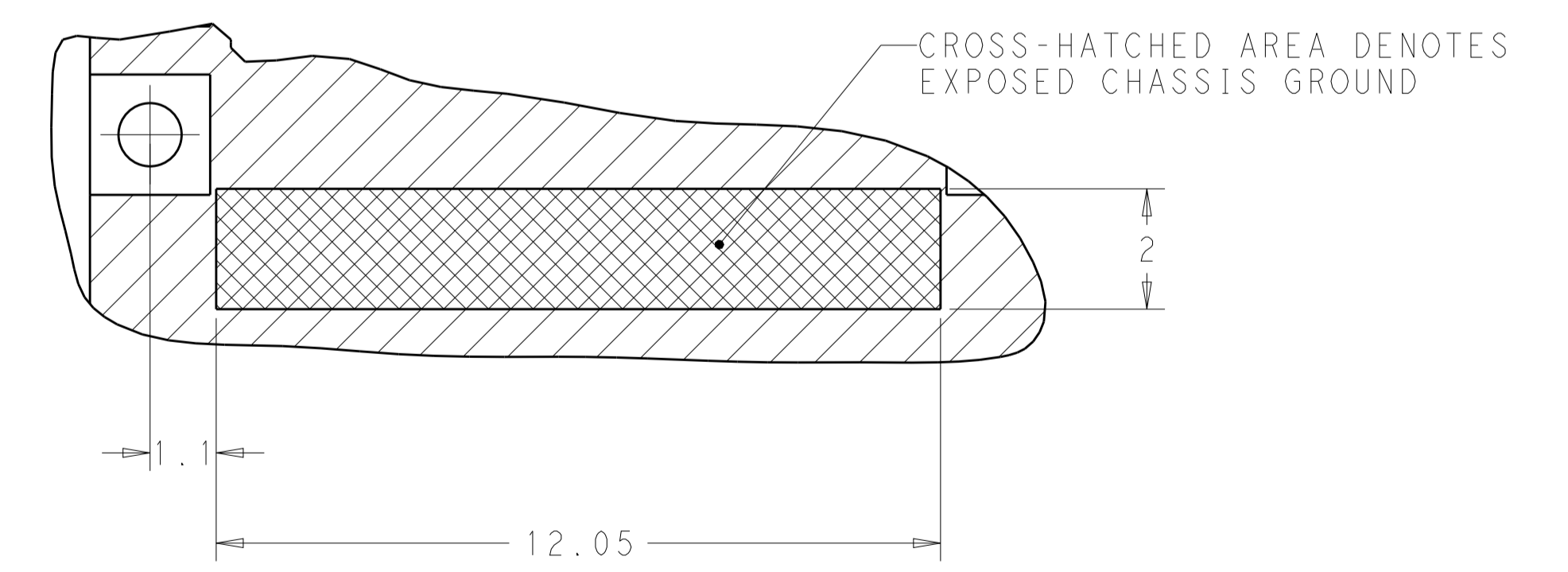
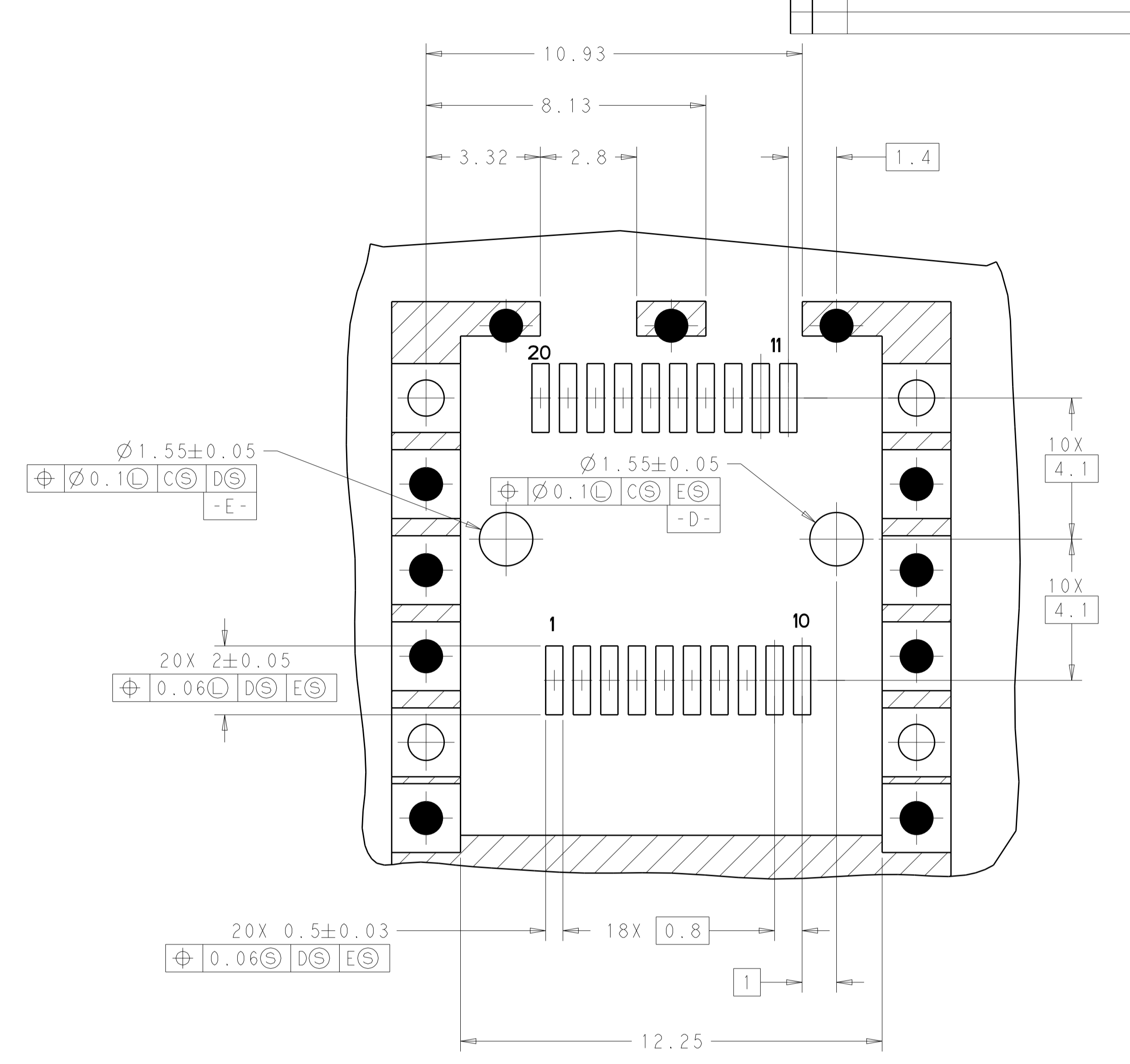
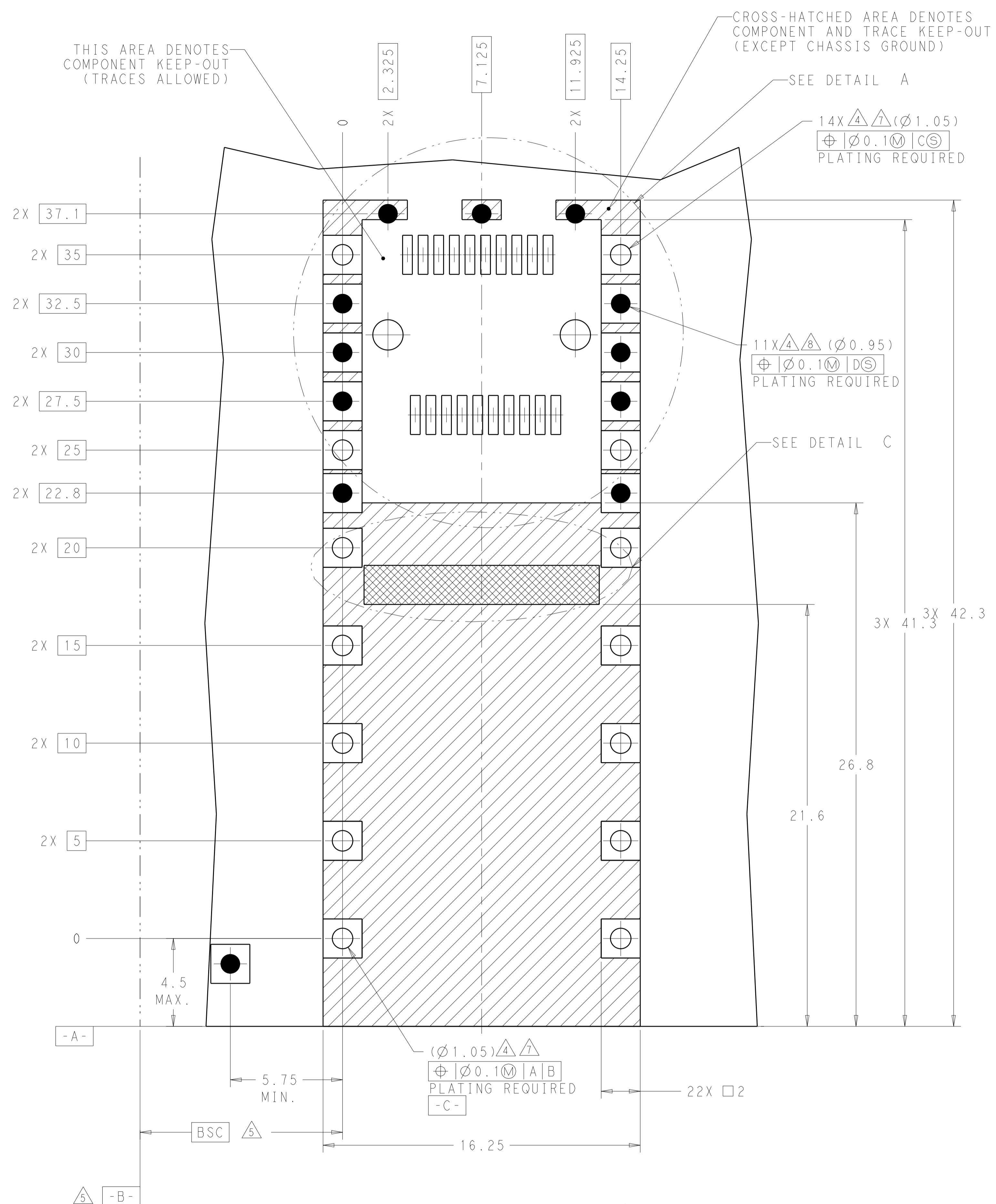
2170261-1
 MOUNTED ON PCB
 SHOWN THRU RECOMMENDED BEZEL
 SCALE 4:1

2170261-1
 PART NUMBER

THIS DRAWING IS A CONTROLLED DOCUMENT.		DWN: TIM XUE 17OCT2012	TE Connectivity
DIMENSIONS: mm		CHK: ALEX CAI 17OCT2012	
TOLERANCES UNLESS OTHERWISE SPECIFIED:		APVD: ALEX CAI 17OCT2012	NAME: SFP+ ENHANCED 1X1 CAGE ASSEMBLY, PRESS-FIT,
0 PLC	±0.1	PRODUCT SPEC	108-2364
1 PLC	±0.1	APPLICATION SPEC	114-13120
2 PLC	±0.1	WEIGHT	A100779C=2170261
3 PLC	±0.05	CUSTOMER DRAWING	SCALE 6:1 SHEET 1 OF 2 REV A
4 PLC	±0.05		
ANGLES	±0.05		
MATERIAL			
FINISH			

LOC	DIST	REV	DATE	BY	APPD
GP	00				

REVISIONS		DATE	BY	APPD
1	SEE SHEET 1			



DETAIL C
 SCALE 10:1

THIS DRAWING IS A CONTROLLED DOCUMENT.		OWN: TIM XUE 17OCT2012	TE Connectivity
DIMENSIONS: mm		CHK: ALEX CAI 17OCT2012	
TOLERANCES UNLESS OTHERWISE SPECIFIED:		APVD: ALEX CAI 17OCT2012	NAME: SFP+ ENHANCED 1X1 CAGE ASSEMBLY, PRESS-FIT,
0 PLC	±0.1	PRODUCT SPEC	SIZE: CAGE CODE DRAWING NO
1 PLC	±0.1	108-2364	RESTRICTED TO
2 PLC	±0.1	APPLICATION SPEC	A100779C=2170261
3 PLC	±0.05	114-13120	SCALE: 6:1 SHEET 2 OF 2 REV A
4 PLC	±0.05	WEIGHT	
ANGLES	±0.05	CUSTOMER DRAWING	
FINISH	±0.05		