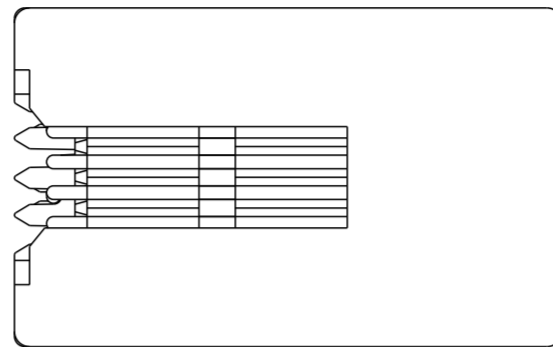


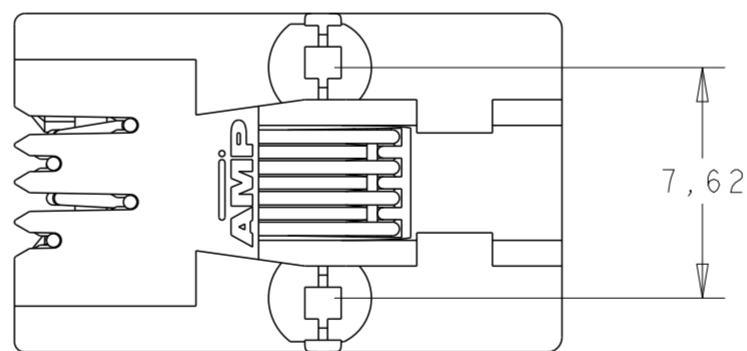
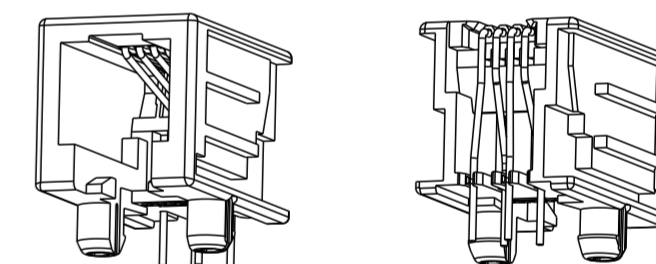
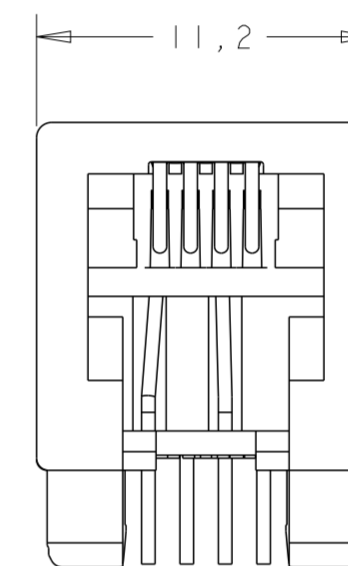
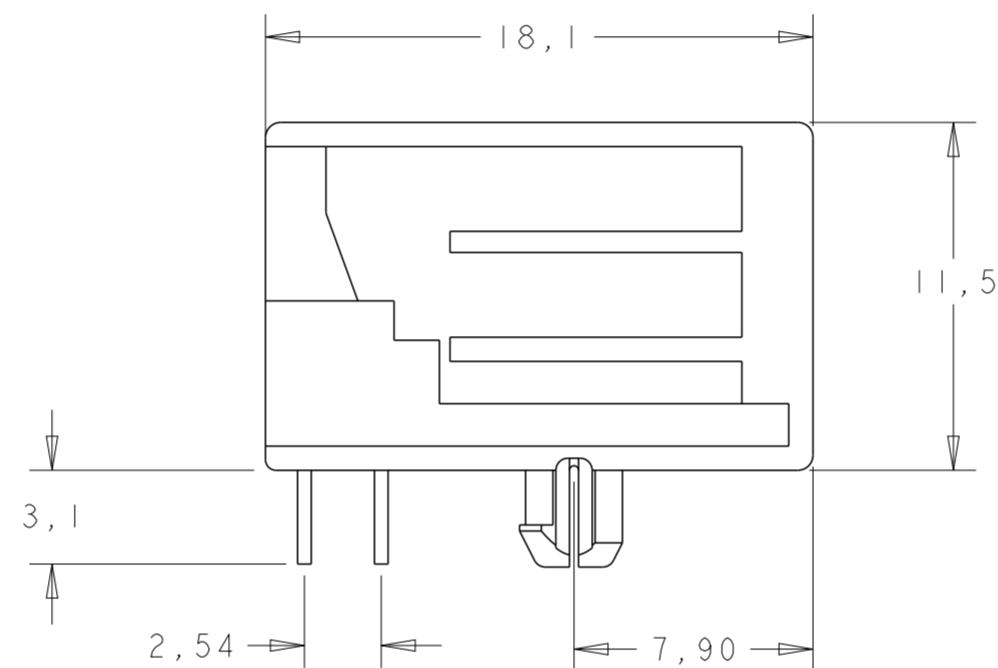
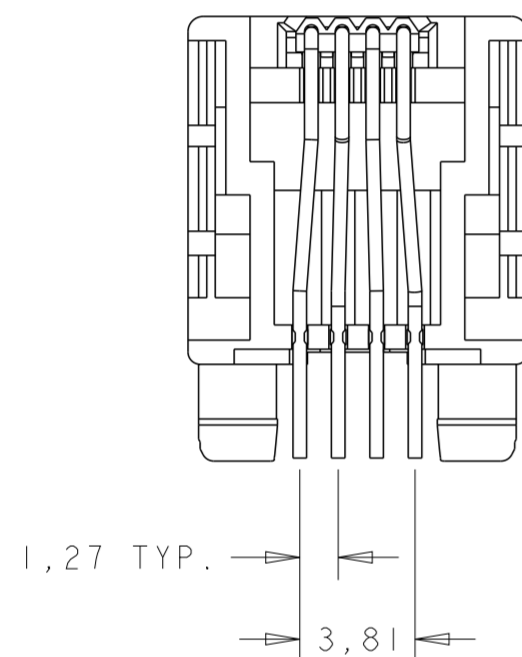
THIS DRAWING IS UNPUBLISHED. RELEASED FOR PUBLICATION  
 © COPYRIGHT copyright\_date ALL RIGHTS RESERVED.

LOC		DIST		REVISIONS			
P	LTR	DESCRIPTION	DATE	DWN	APVD		
	W	ECO-13-015831	90CT2013	AD	SH		
	Y	ADDED 4-215875-1	13JUN2019	IT	SH		
	Y1	ADDED REEL PACKAGING	28JUL2024	RK	PSS		
	Y2	REACTIVATED P/N 1-215875-3	12AUG2024	RK	RCG		

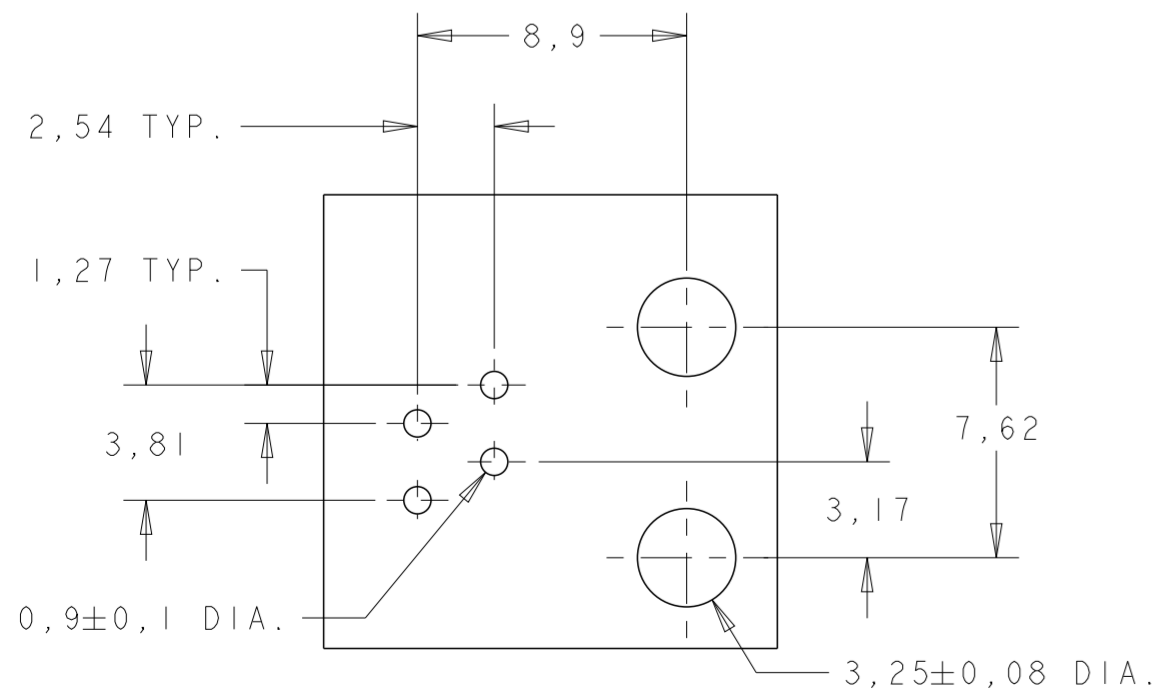


NOTES:

1. TOLERANCE UNLESS OTHERWISE SPECIFIED: 0,15.
2. BULK PACKAGING: TRUE POSITIONING OF THE SOLDER TINES IS NOT GUARANTEED.
3. SUPERSEDED BY 1-215876-3
4. SUPERSEDED BY 215875-1
5. OBSOLETE 3-215875-3



**OBSOLETE**



PRINTED CIRCUIT BOARD LAYOUT

(VIEW SHOWN IS CIRCUIT (NON-COMPONENT) SIDE OF BOARD.)  
 PRINTED CIRCUIT BOARD THICKNESS: 1,6mm NOMINAL.  
 TOLERANCE UNLESS OTHERWISE SPECIFIED: ±0,05.

OVERALL: Ni 1.27µm MIN. ALL OVER THE CONTACTS SOLDER ZONE: Sn 2.5µm MIN. ON THE SOLDER ZONE OF THE CONTACT MATING ZONE: PLATING CONFIRMS TO PRODUCT REQUIREMENTS AS PER SPECIFICATION 108-19064	HOUSING, COLOR BLACK: PBT 20% GF, UL 94V-0 CONTACT INSERT: PBT, UL 94V-0 CONTACTS: PH, BRONZE	100 PCS IN A TRAY TRAY SIZE 300*150 ESD TYPE TRAY	4-215875-1
		290 PCS IN A TRAY	1-215875-3
		50 PCS IN A TUBE (SEE SHEET 2)	3-215875-3
		BULK PACKAGED IN A BOX	2-215875-1
		126 PIECES IN MULTI-TUBE	1-215875-1
		TAPE MOUNTED 1000pcs./reel	215875-1
FINISH	MATERIAL	PACKAGING	PARTNUMBER

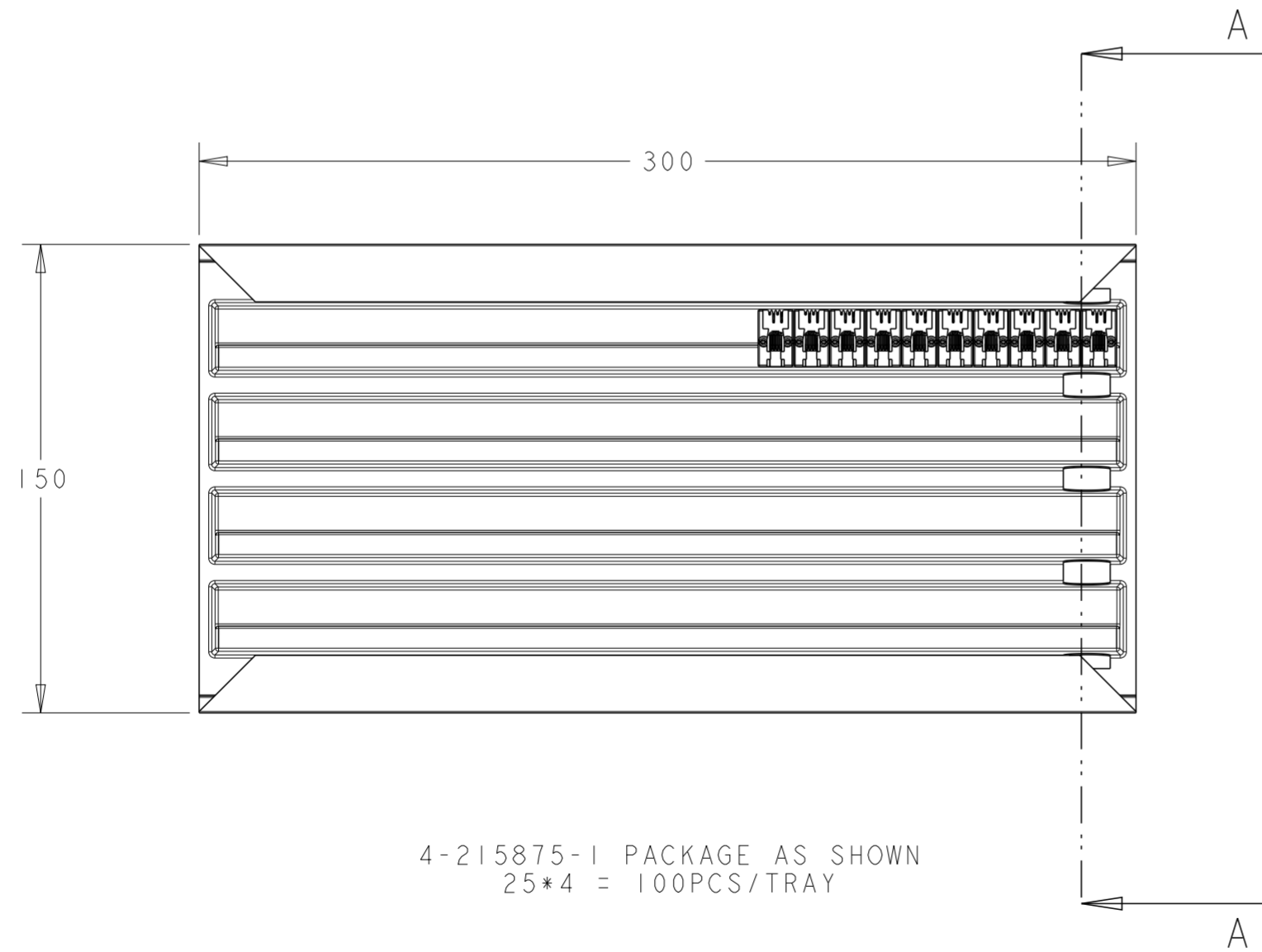
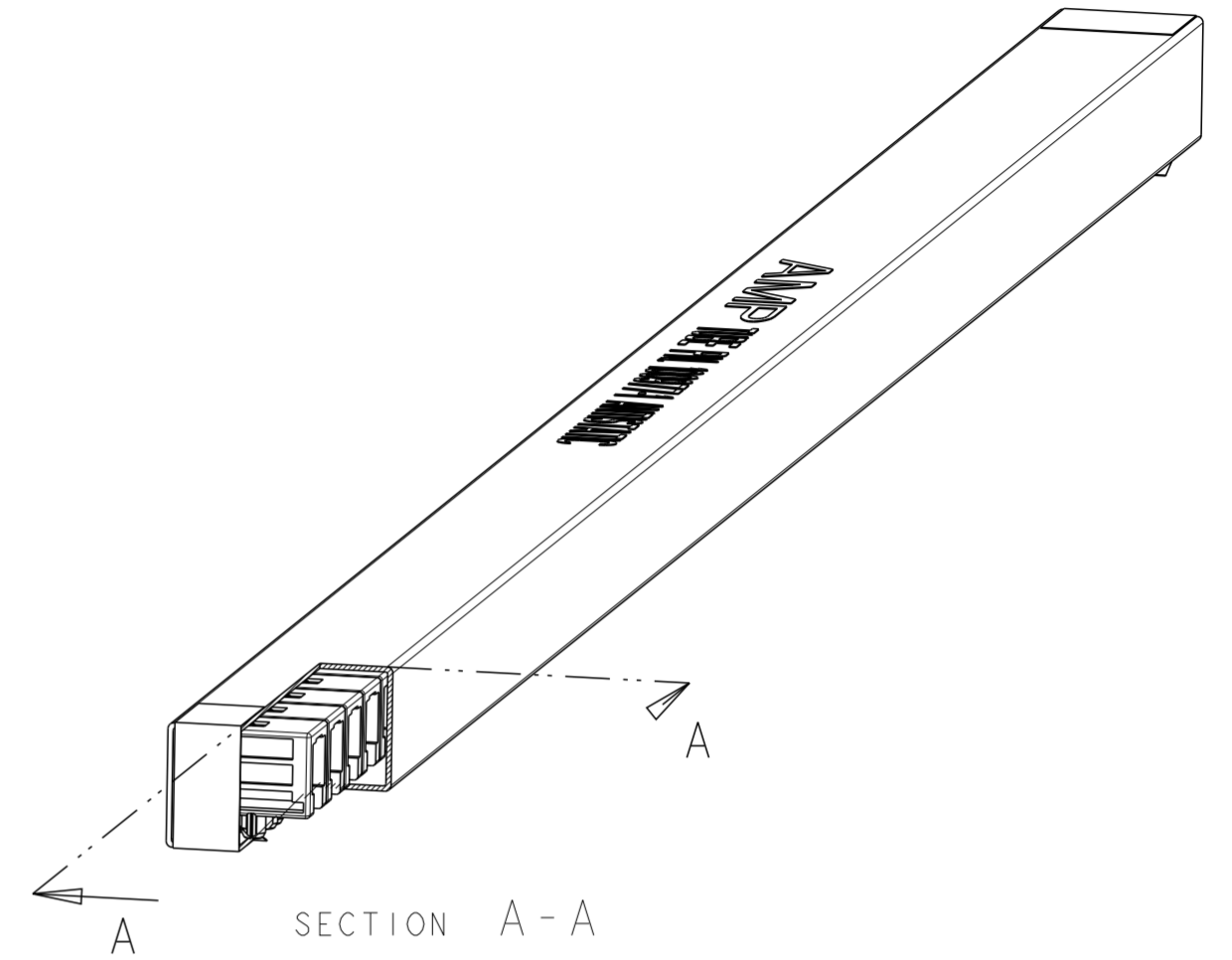
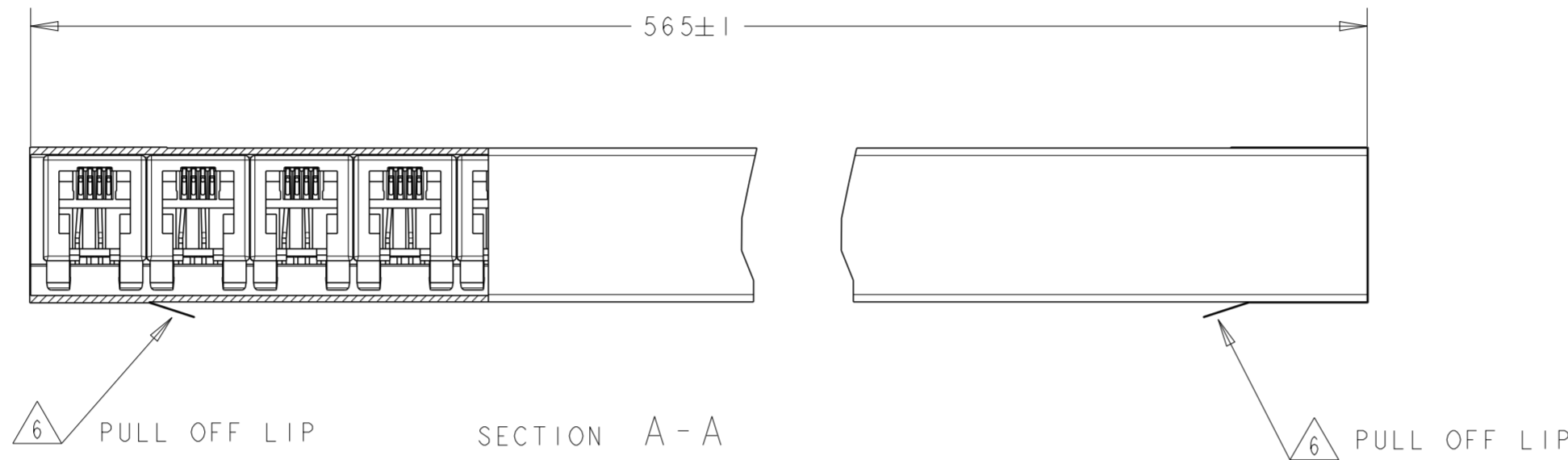
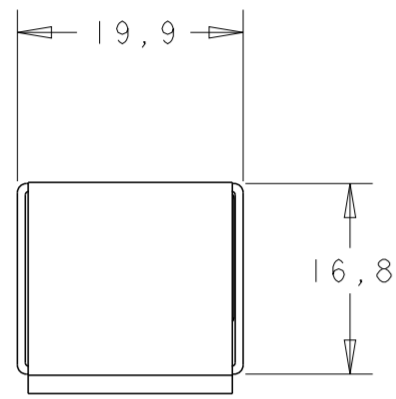
THIS DRAWING IS A CONTROLLED DOCUMENT.		DWN E. v. EIJK	TE Connectivity	
DIMENSIONS: mm		CHK M. v. ESSEN		
TOLERANCES UNLESS OTHERWISE SPECIFIED:		APVD R. SMEETS		
0 PLC ± ±0.3 1 PLC ± 2 PLC ± 3 PLC ± 4 PLC ± ANGLES ± FINISH		PRODUCT SPEC 108-19064 APPLICATION SPEC 114-19019 WEIGHT - CUSTOMER DRAWING		
		NAME	MODULAR JACK SIDE ENTRY 4/4 FOR PRINTED CIRCUIT BOARD	
		SIZE	CAGE CODE	DRAWING NO
		A2	0779	C-215875
		RESTRICTED TO		
		SCALE	SHEET	REV
		4:1	1 OF 3	Y2

THIS DRAWING IS UNPUBLISHED. RELEASED FOR PUBLICATION  
 © COPYRIGHT copyright\_date ALL RIGHTS RESERVED.

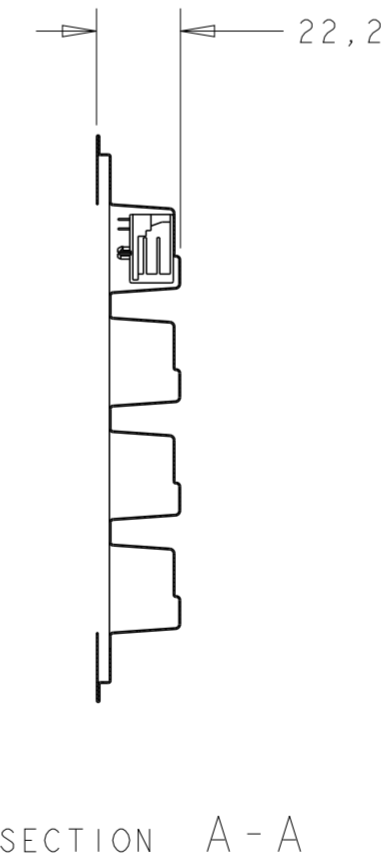
LOC	DIST	REVISIONS			
P	LTR	DESCRIPTION	DATE	DWN	APVD
IR	-	SEE SHEET 1	-	-	-

NOTES FOR PACKAGE:

- 1 TUBE IS TRANSPARANT PVC.
- 2 TUBE IS CLOSED AT BOTH ENDS BY A TAPE.
- 3 300\*150 TRAY IS ONLY FOR 4-215875-1.



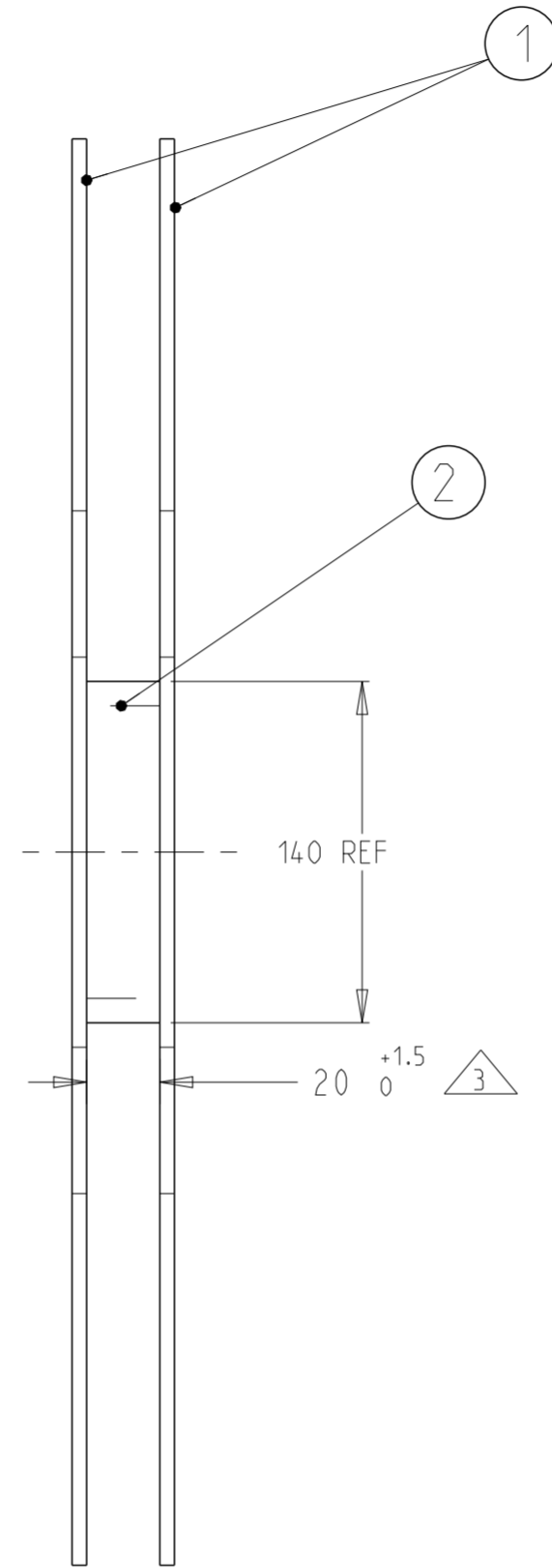
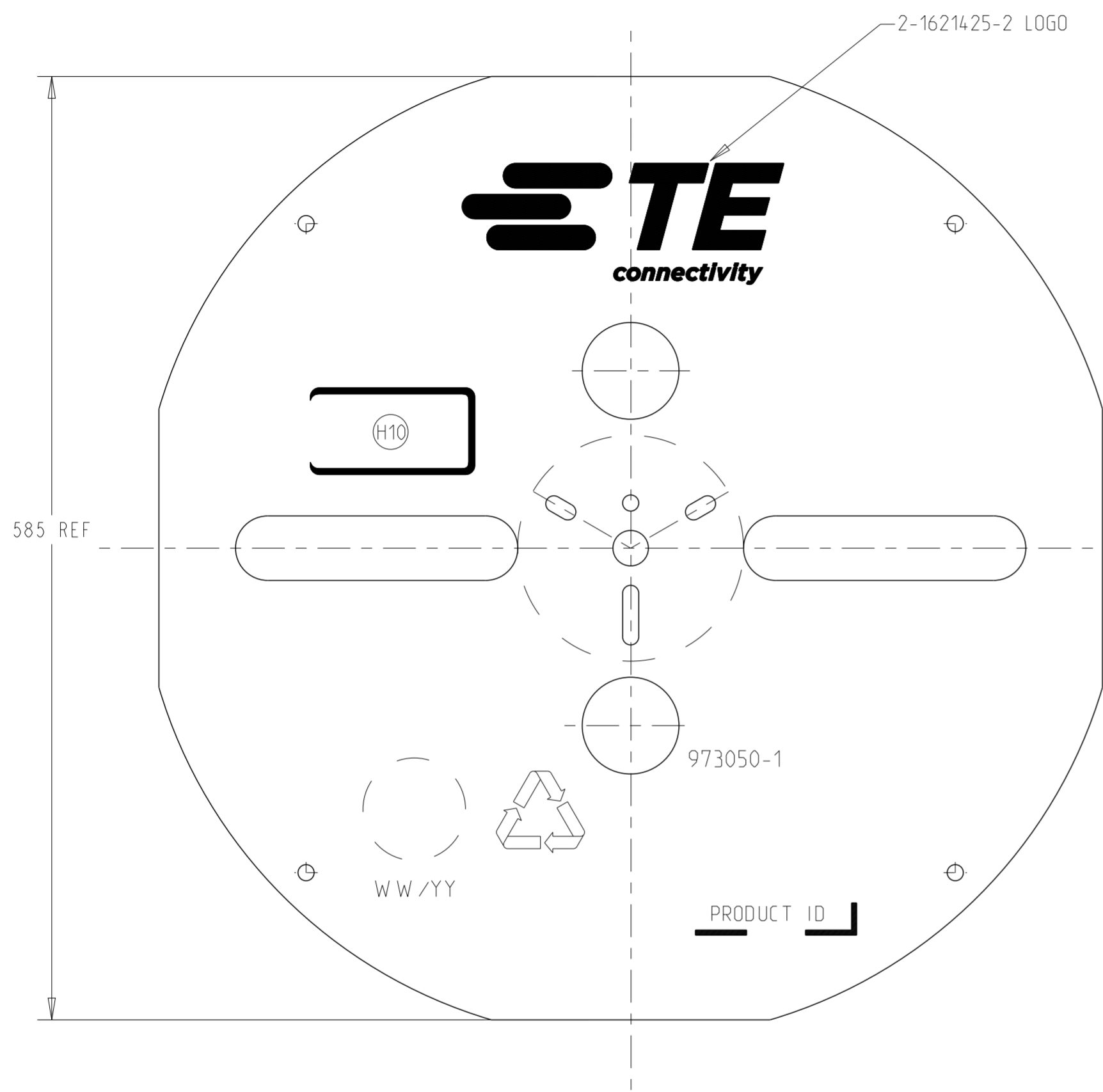
4-215875-1 PACKAGE AS SHOWN  
 25\*4 = 100PCS/TRAY



THIS DRAWING IS A CONTROLLED DOCUMENT.		DWN E. v. EIJK	<b>STE</b> TE Connectivity	
DIMENSIONS: mm		CHK M. v. ESSEN		
TOLERANCES UNLESS OTHERWISE SPECIFIED:		APVD R. SMEETS	NAME MODULAR JACK SIDE ENTRY 4/4 FOR PRINTED CIRCUIT BOARD	
0 PLC ± ±0.5		PRODUCT SPEC 108-19064	SIZE	RESTRICTED TO
1 PLC ±		APPLICATION SPEC 114-19019	CAGE CODE A20779	DRAWING NO C-215875
2 PLC ±		WEIGHT	SCALE 3:2	SHEET 2 OF 3
3 PLC ±		MATERIAL	REV Y2	
4 PLC ±		CUSTOMER DRAWING		
ANGLES ±				
FINISH				

THIS DRAWING IS UNPUBLISHED. RELEASED FOR PUBLICATION  
 © COPYRIGHT copyright\_date ALL RIGHTS RESERVED.

LOC	DIST	REVISIONS					
		P	LTR	DESCRIPTION	DATE	DWN	APVD
IR	-	-	-	SEE SHEET 1	-	-	-



- 1 ASSEMBLY, QUALITY AND TEST ACCORDING TO 107-18048
- 2 ASSY CORE/FLANGES PER GLUE 973055-1

THIS DRAWING IS A CONTROLLED DOCUMENT.		DWN E. v. EIJK	<b>TE</b> TE Connectivity	
DIMENSIONS: mm		CHK M. v. ESSEN		
TOLERANCES UNLESS OTHERWISE SPECIFIED:		APVD R. SMEETS	NAME MODULAR JACK SIDE ENTRY 4/4 FOR PRINTED CIRCUIT BOARD	
0 PLC ±		PRODUCT SPEC 108-19064	SIZE A20779	
1 PLC ±		APPLICATION SPEC 114-19019	CAGE CODE C-215875	DRAWING NO
2 PLC ±		WEIGHT	RESTRICTED TO	
3 PLC ±		CUSTOMER DRAWING	SCALE 1:1 SHEET 3 OF 3 REV Y2	
4 PLC ±				
ANGLES ±				
FINISH				