

4

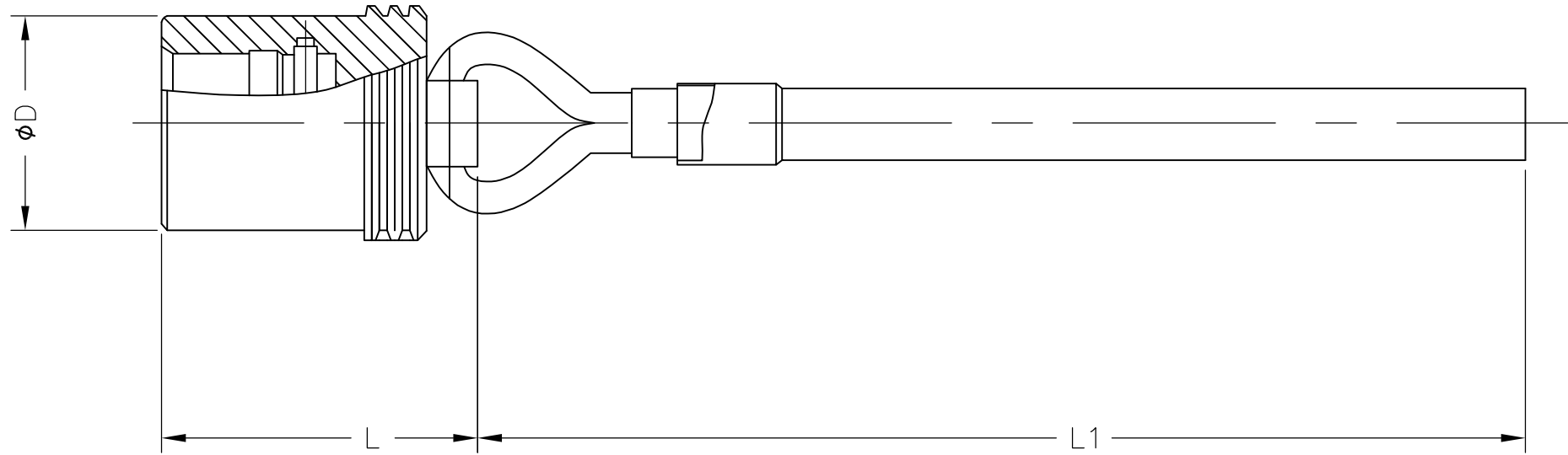
3

2

1

THIS DRAWING IS UNPUBLISHED. RELEASED FOR PUBLICATION
 © COPYRIGHT - By - ALL RIGHTS RESERVED.

| LOC | DIST | REVISIONS | | | | | |
|-----|------|-----------|-----|-----------------|-----------|-----|------|
| | | P | LTR | DESCRIPTION | DATE | DWN | APVD |
| - | - | | A | INITIAL RELEASE | 11APR2012 | CT | RG |



CLIP FOR SECURING LANYARD

| | | | |
|----|----|----|-------------|
| 15 | 85 | 20 | 2157927-1 |
| D | L1 | L | PART NUMBER |

- △1 MATERIAL
 BODY - BRASS
 LANYARD - BROCADED SILK
 O RING - SILICONE RUBBER
- △2 FINISH
 CAP - BLACK CHROMATE

| | | | | |
|---|--|--------------------------------|---|--------------------|
| THIS DRAWING IS A CONTROLLED DOCUMENT. | | DWN C C THOMAS 16SEP2009 | TE Connectivity | |
| DIMENSIONS: mm | | CHK R GROSS 16SEP2009 | | |
| TOLERANCES UNLESS OTHERWISE SPECIFIED: | | APVD R GROSS 16SEP2009 | NAME CIRCULAR HD CAPS W/LANYARDS FOR SIZE 3 PLUG CONNECTORS | |
| 0 PLC ± 3 1 PLC ± - 2 PLC ± - 3 PLC ± - 4 PLC ± - ANGLES ± - | | PRODUCT SPEC 108-127005 | RESTRICTED TO | |
| MATERIAL - △1 | | APPLICATION SPEC - | SIZE A3 | CAGE CODE 00779 |
| FINISH - △2 | | WEIGHT - | DRAWING NO C-2157927 | REV A |
| CUSTOMER DRAWING | | | SCALE NTS | SHEET 1 OF 1 |