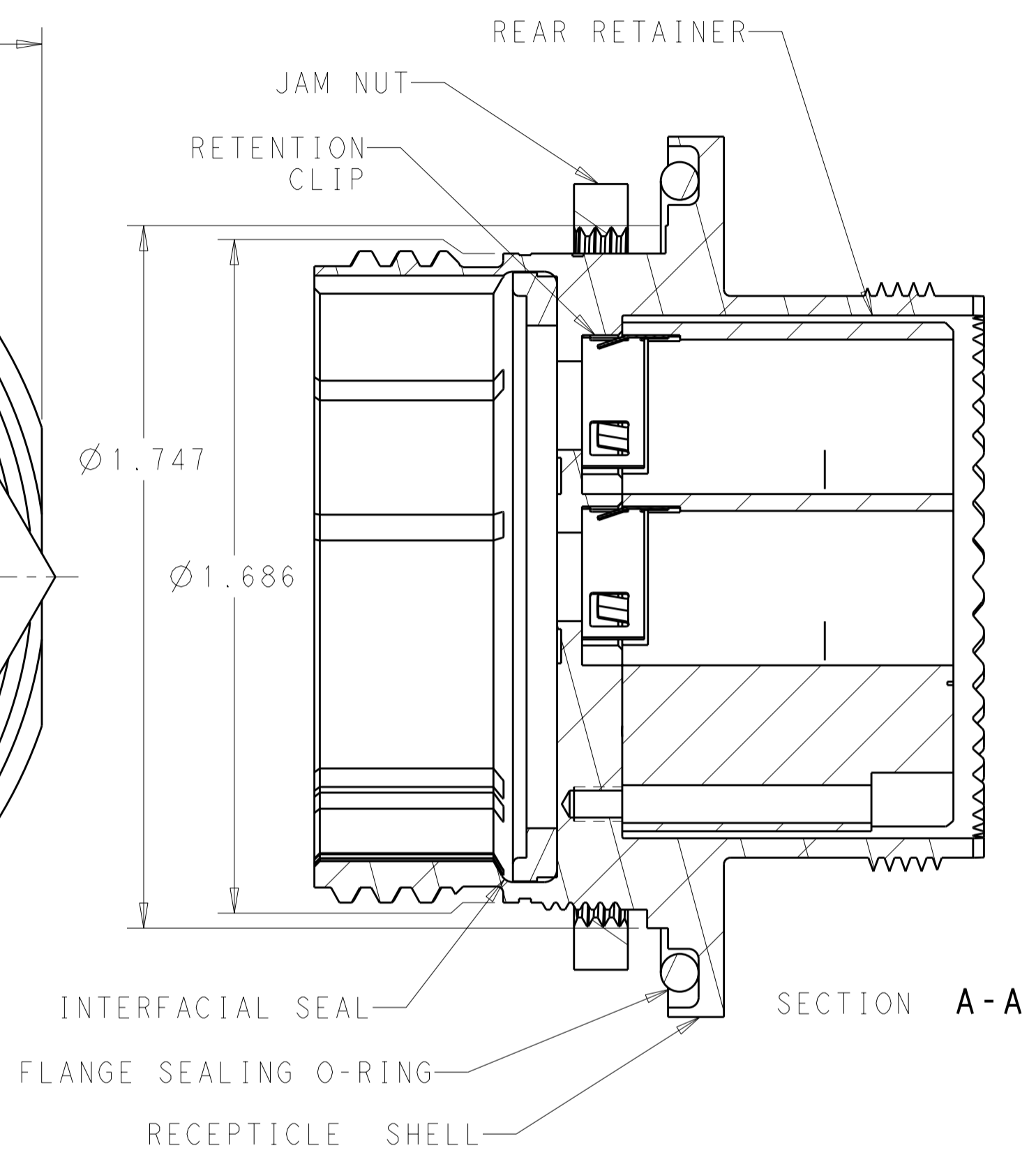
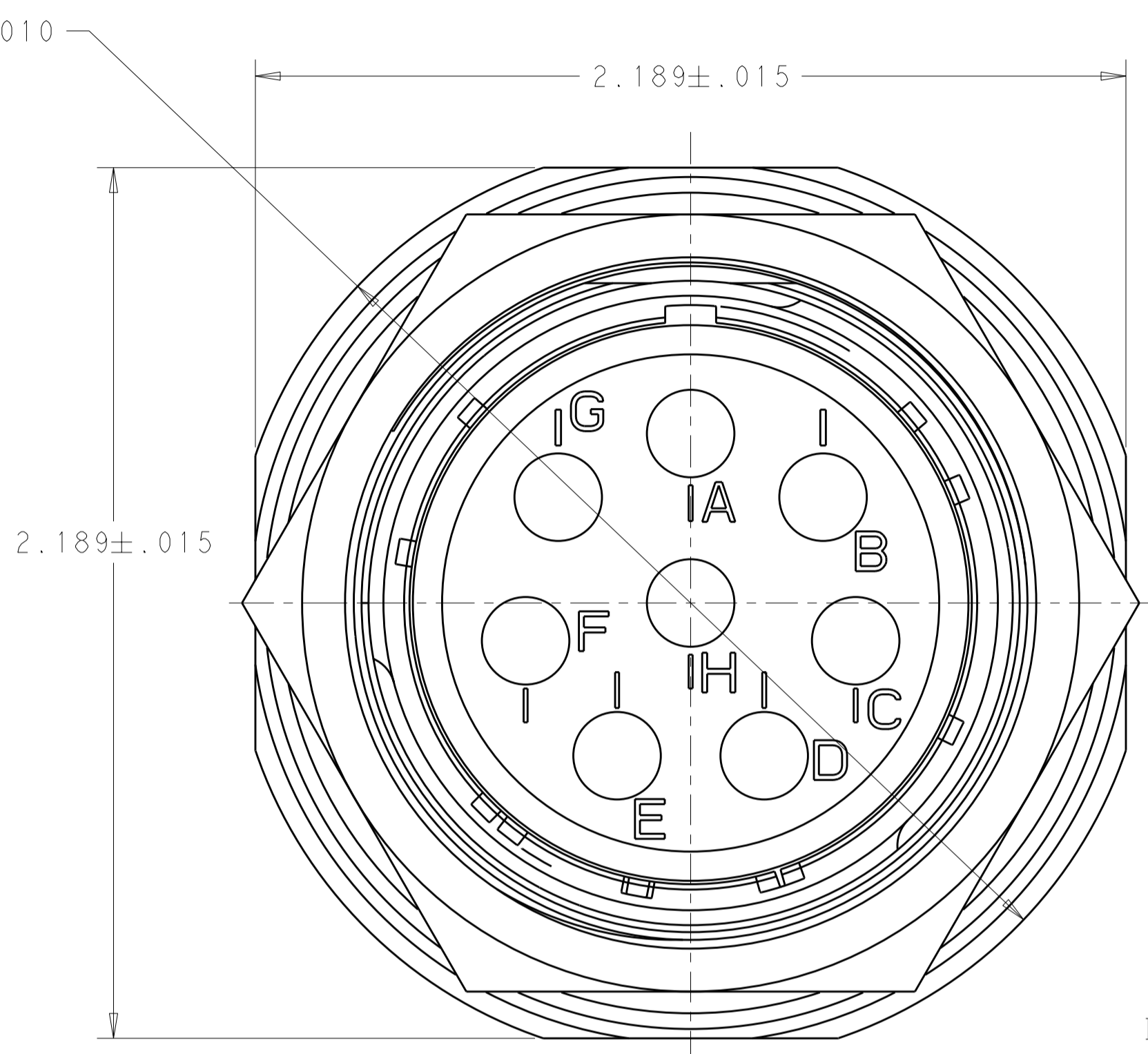
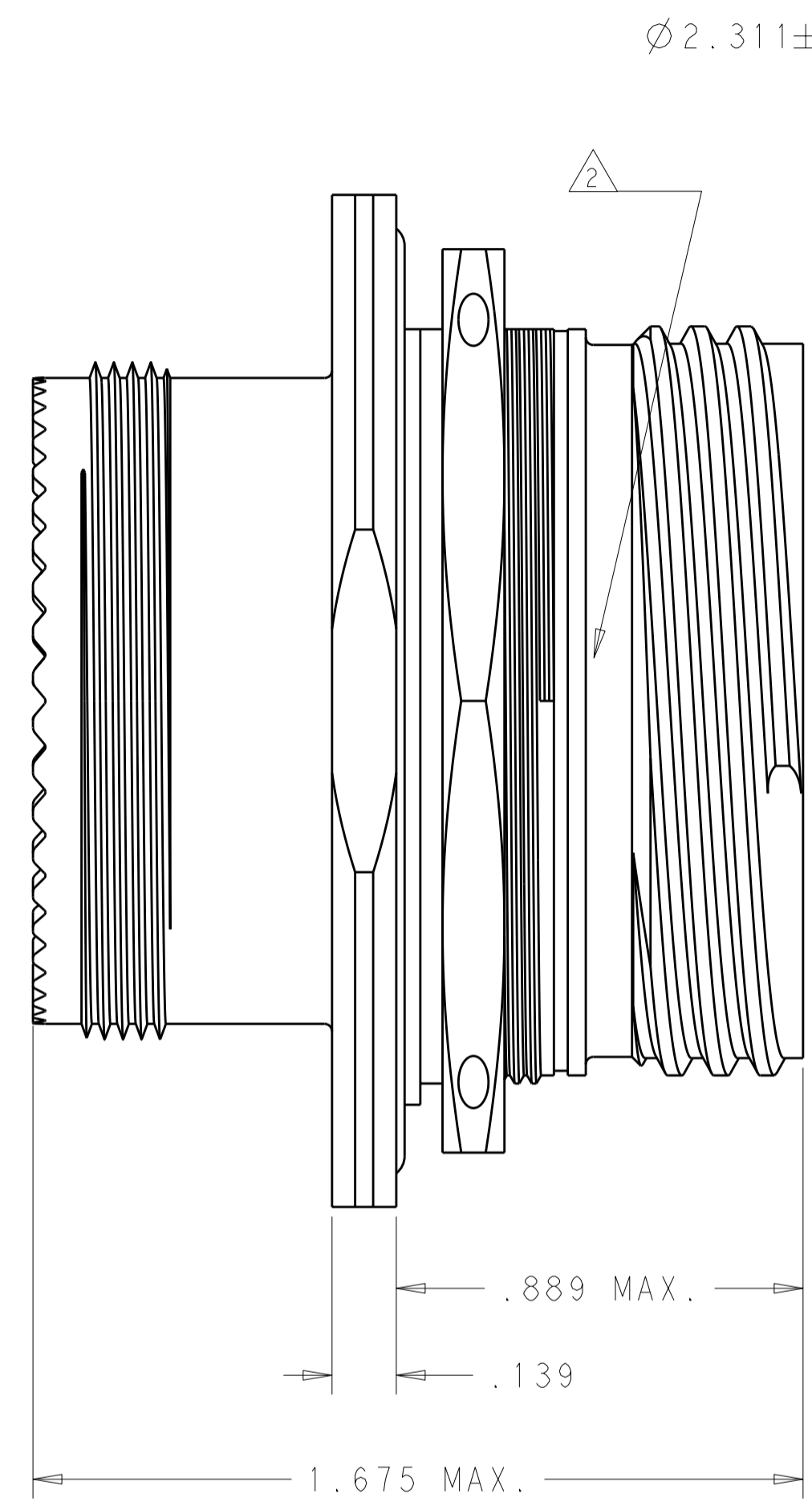


THIS DRAWING IS UNPUBLISHED. RELEASED FOR PUBLICATION 20  
 © COPYRIGHT 20 BY - ALL RIGHTS RESERVED.

REVISIONS							
LOC	DIST	P	LTR	DESCRIPTION	DATE	DWN	APVD
-	-		A	INITIAL RELEASE	23JAN2012	RJM3	DM



1 MATERIAL AND FINISH:  
 CONNECTOR SHELL: 6061-T6 ALUMINUM - SEE TABLE FOR PLATING  
 QUADRAX RETENTION CLIP: SILVER PLATED STAINLESS STEEL  
 JAM NUT: 6061-T6 ALUMINUM - SEE TABLE FOR PLATING  
 FLANGE SEALING O-RING: VITON RUBBER  
 INTERFACIAL SEAL: SILICON RUBBER  
 REAR RETAINER: CONDUCTIVE COMPOSITE THERMOPLASTIC

2 PART IS MARKED WITH TE CONNECTIVITY PART NUMBER (SEE TABLE),  
 TE, TE CAGE CODE (00779) AND DATE CODE.

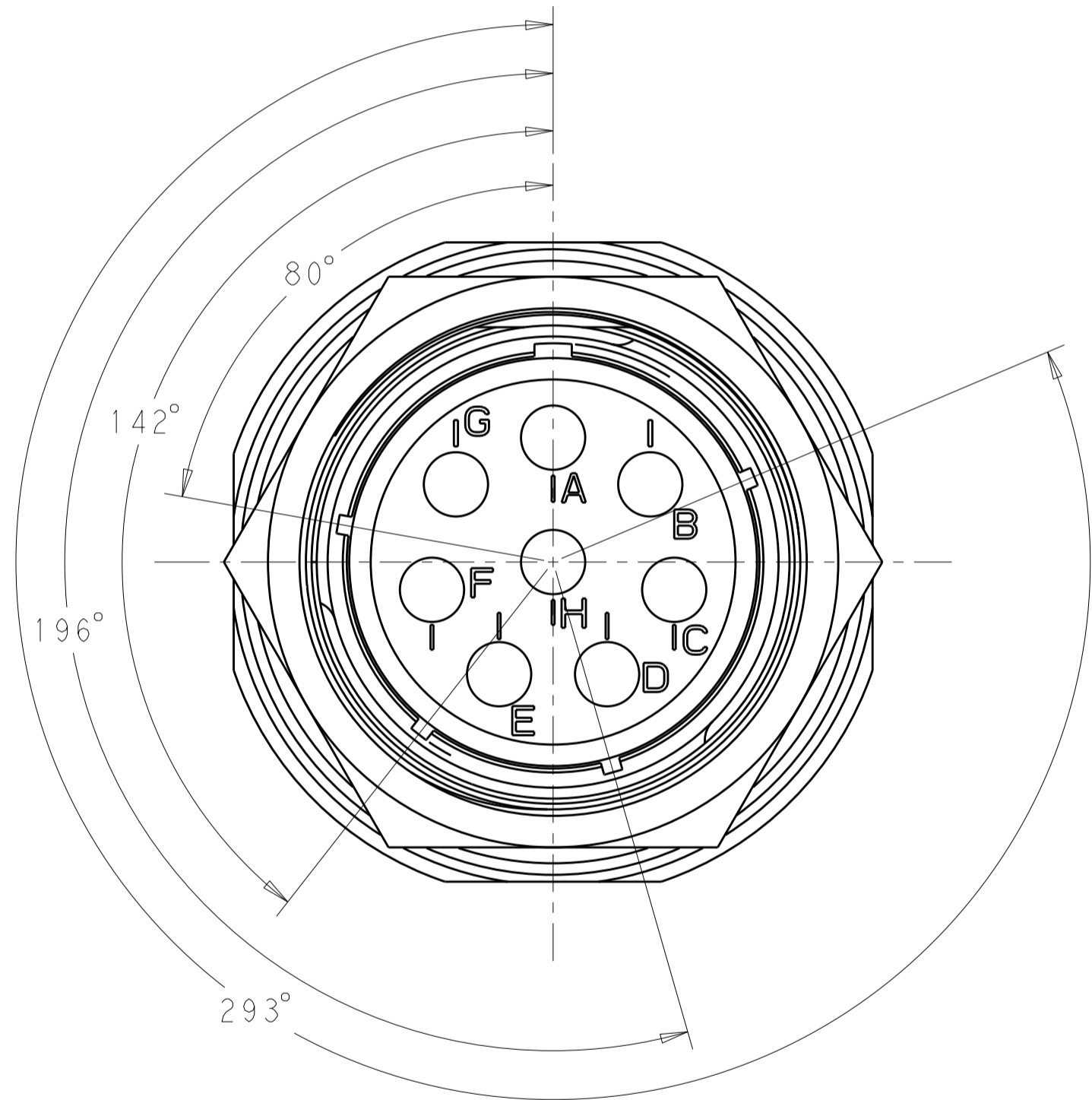
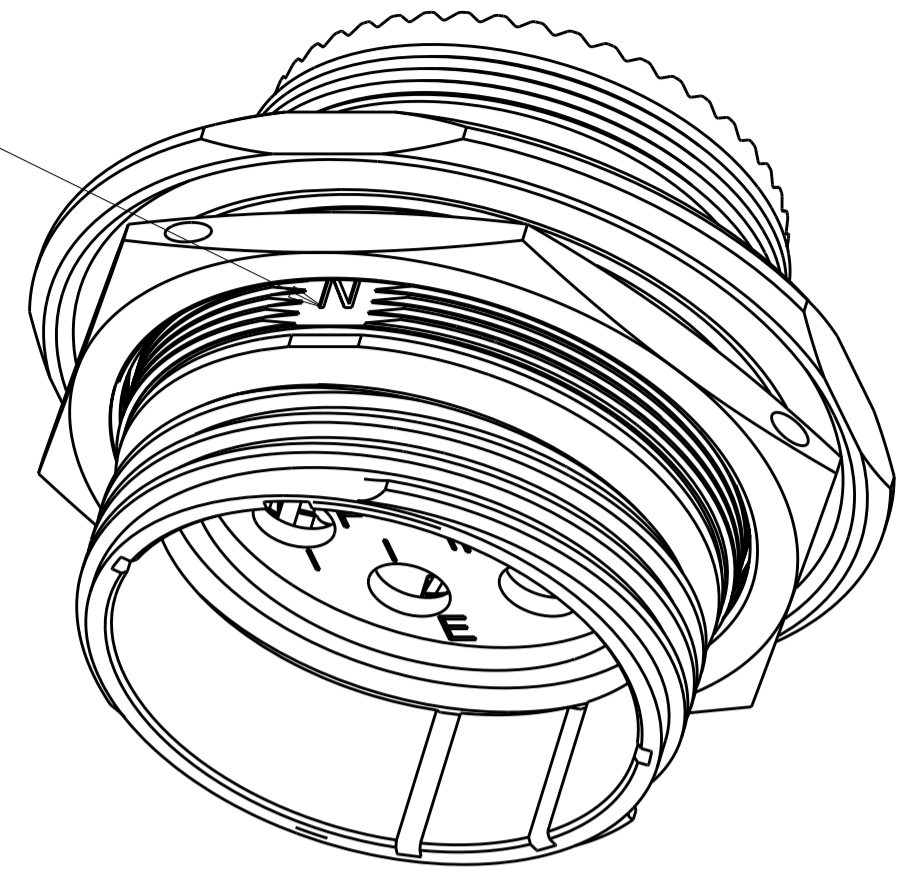
OLIVE DRAB	-	"B" KEY	2157628-6
OLIVE DRAB	-	"A" KEY	2157628-5
OLIVE DRAB	-	"N" KEY	2157628-4
NICKEL		"B" KEY	2157628-3
NICKEL		"A" KEY	2157628-2
NICKEL		"N" KEY	2157628-1
FINISH	QUADRAX CONTACT QTY = 4	38999 KEYING	PART NUMBER

THIS DRAWING IS A CONTROLLED DOCUMENT.		DWN RJM3 23JAN2012	TE Connectivity	
DIMENSIONS: INCHES		CHK D. MILLER 23JAN2012		
TOLERANCES UNLESS OTHERWISE SPECIFIED:		APVD D. MILLER 23JAN2012	NAME RECEPTACLE, 38999 SERIES III, SIZE 25, JAM NUT STYLE, 808	
0 PLC ±.1 1 PLC ±.02 2 PLC ±.005 3 PLC ±.0005 4 PLC ANGLES ±.0005 FINISH		PRODUCT SPEC	SIZE CAGE CODE DRAWING NO	
MATERIAL		APPLICATION SPEC	RESTRICTED TO	
1		WEIGHT	A200779C-2157628	
CUSTOMER DRAWING		SCALE 3:1	SHEET 1 OF 2 REV A	

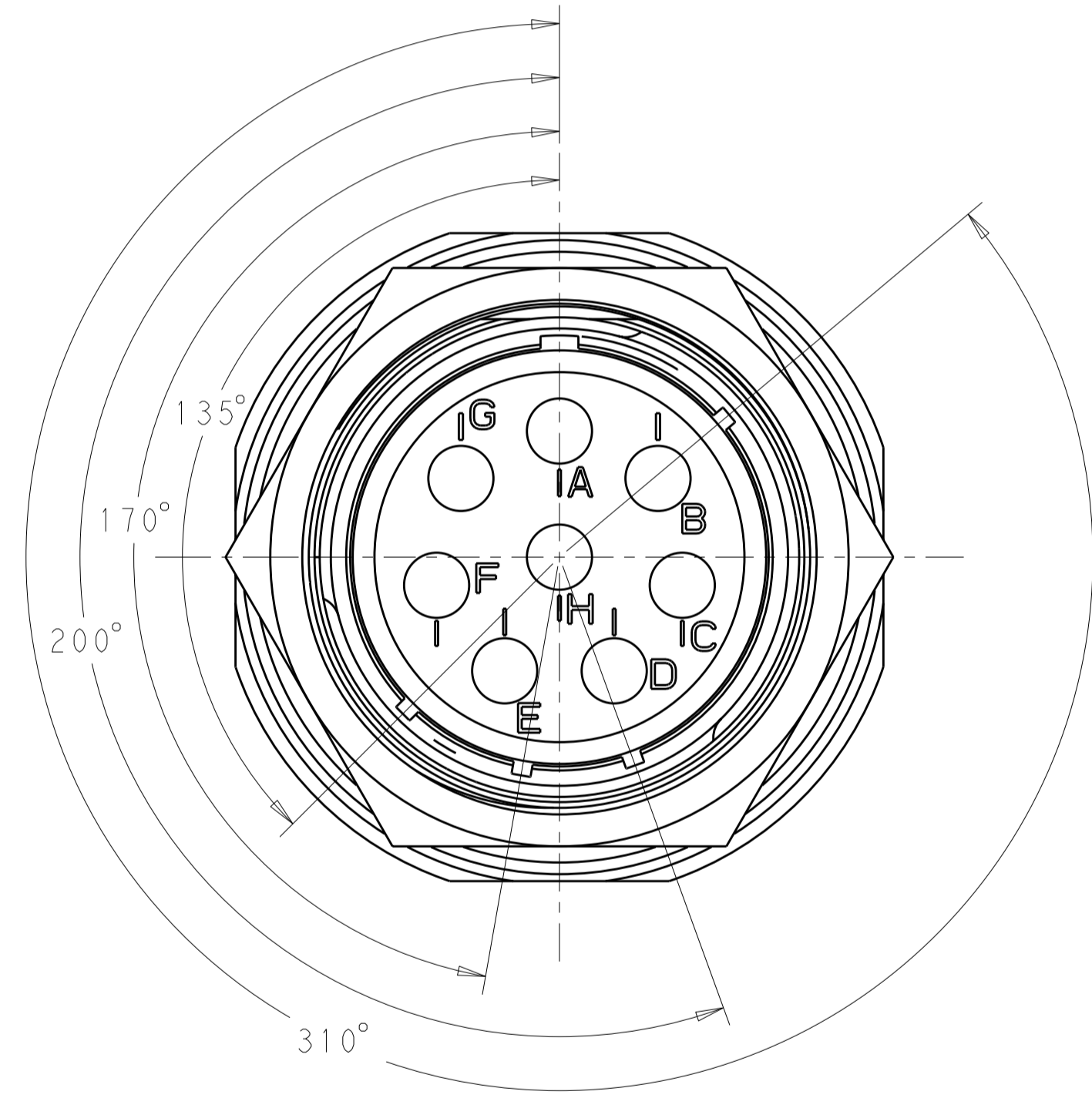
THIS DRAWING IS UNPUBLISHED. RELEASED FOR PUBLICATION 20  
 © COPYRIGHT 20 BY - ALL RIGHTS RESERVED.

LOC	DIST	REVISIONS			
P	LTR	DESCRIPTION	DATE	DWN	APVD
-	-	SEE SHEET 1	-	-	-

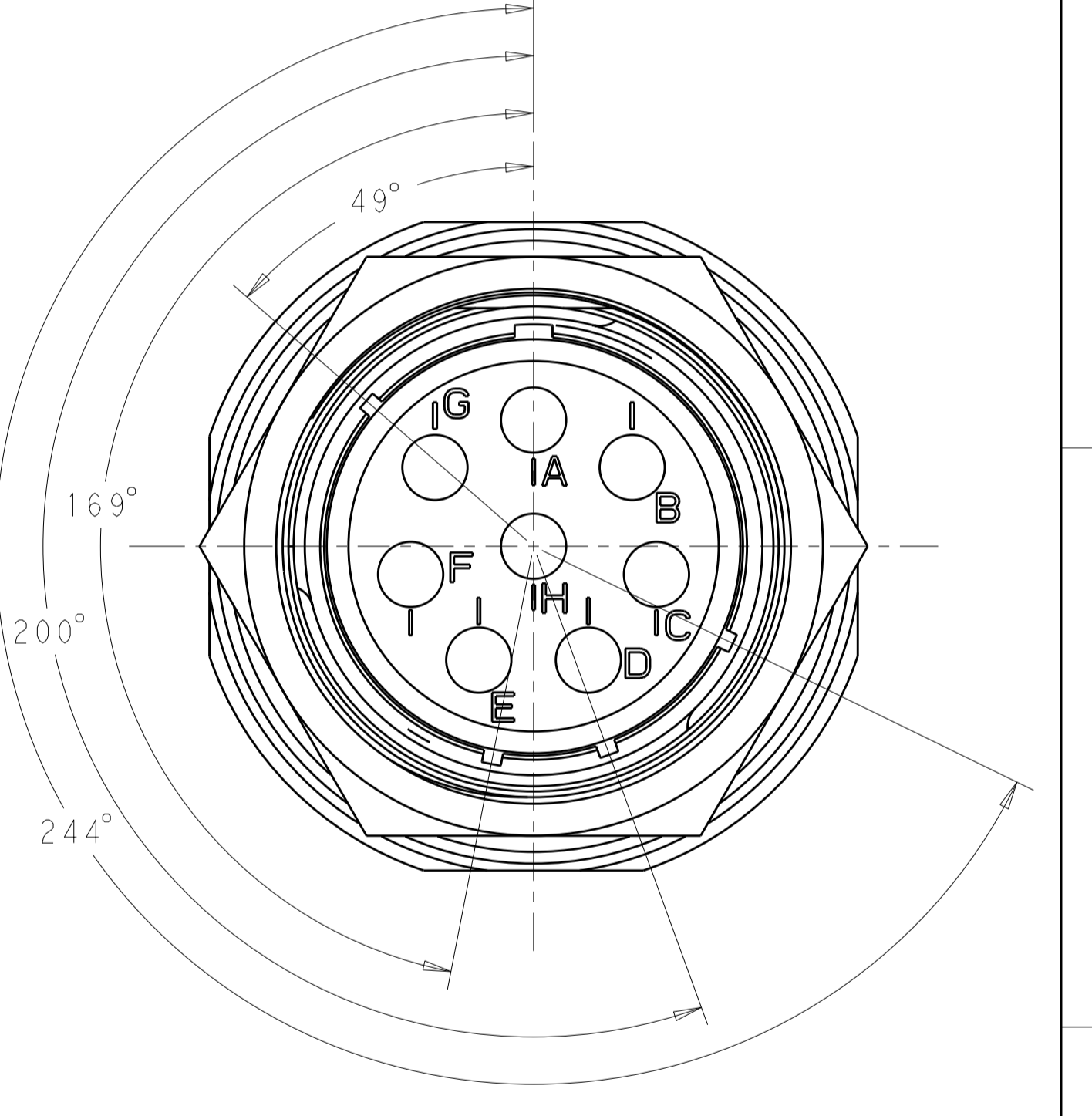
KEYING ID



"N" 38999 KEYING



"A" 38999 KEYING



"B" 38999 KEYING

THIS DRAWING IS A CONTROLLED DOCUMENT.		DWN RJM3 23JAN2012	<b>STE</b> TE Connectivity
DIMENSIONS: INCHES		CHK D. MILLER 23JAN2012	
TOLERANCES UNLESS OTHERWISE SPECIFIED:		APVD D. MILLER 23JAN2012	NAME RECEPTACLE, 38999 SERIES III, SIZE 25, JAM NUT STYLE, 808
0 PLC ±-		PRODUCT SPEC	SIZE
1 PLC ±.1		APPLICATION SPEC	CAGE CODE
2 PLC ±.02		WEIGHT	DRAWING NO
3 PLC ±.005		CUSTOMER DRAWING	RESTRICTED TO
4 PLC ±.0005		SCALE 3:1	SHEET 2 OF 2
ANGLES ±		REV A	
FINISH			