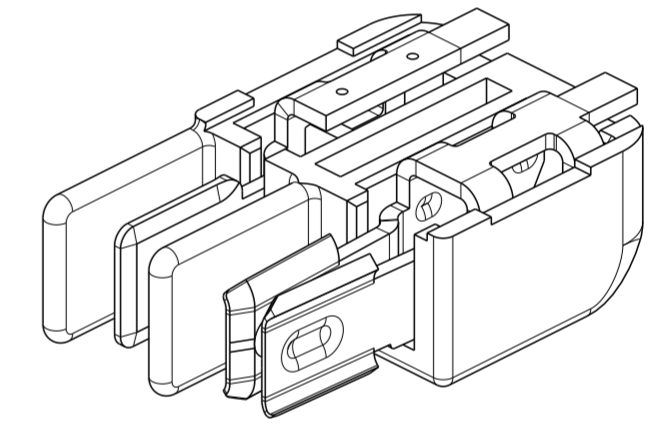
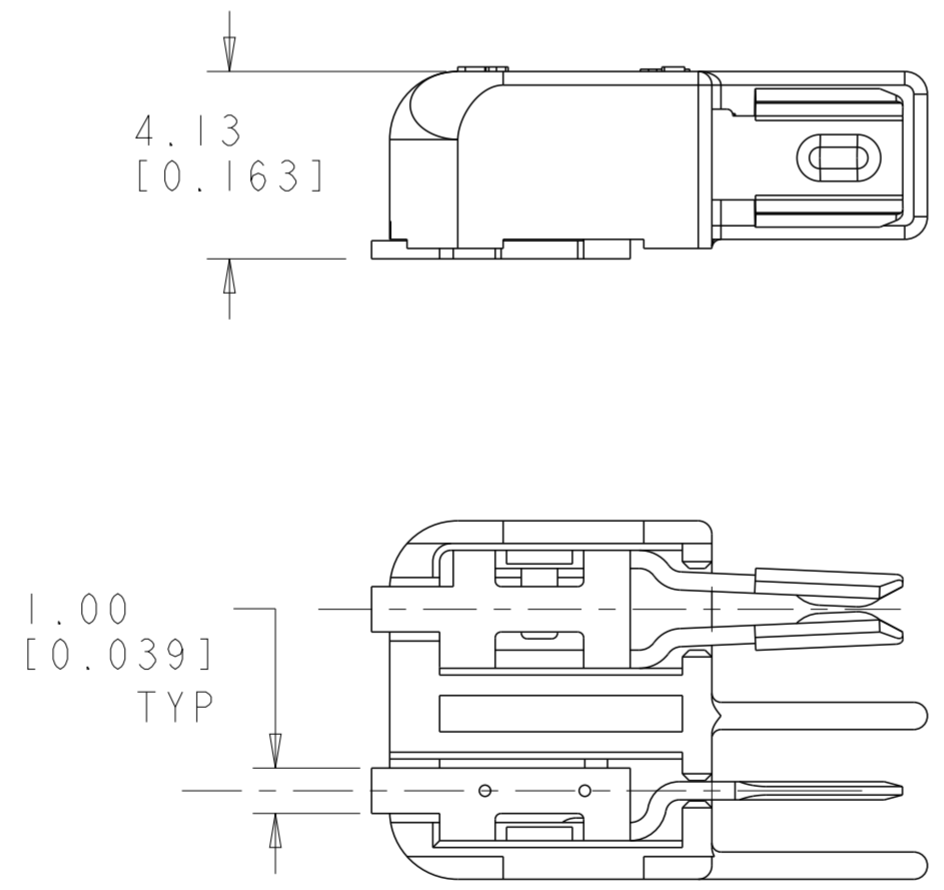
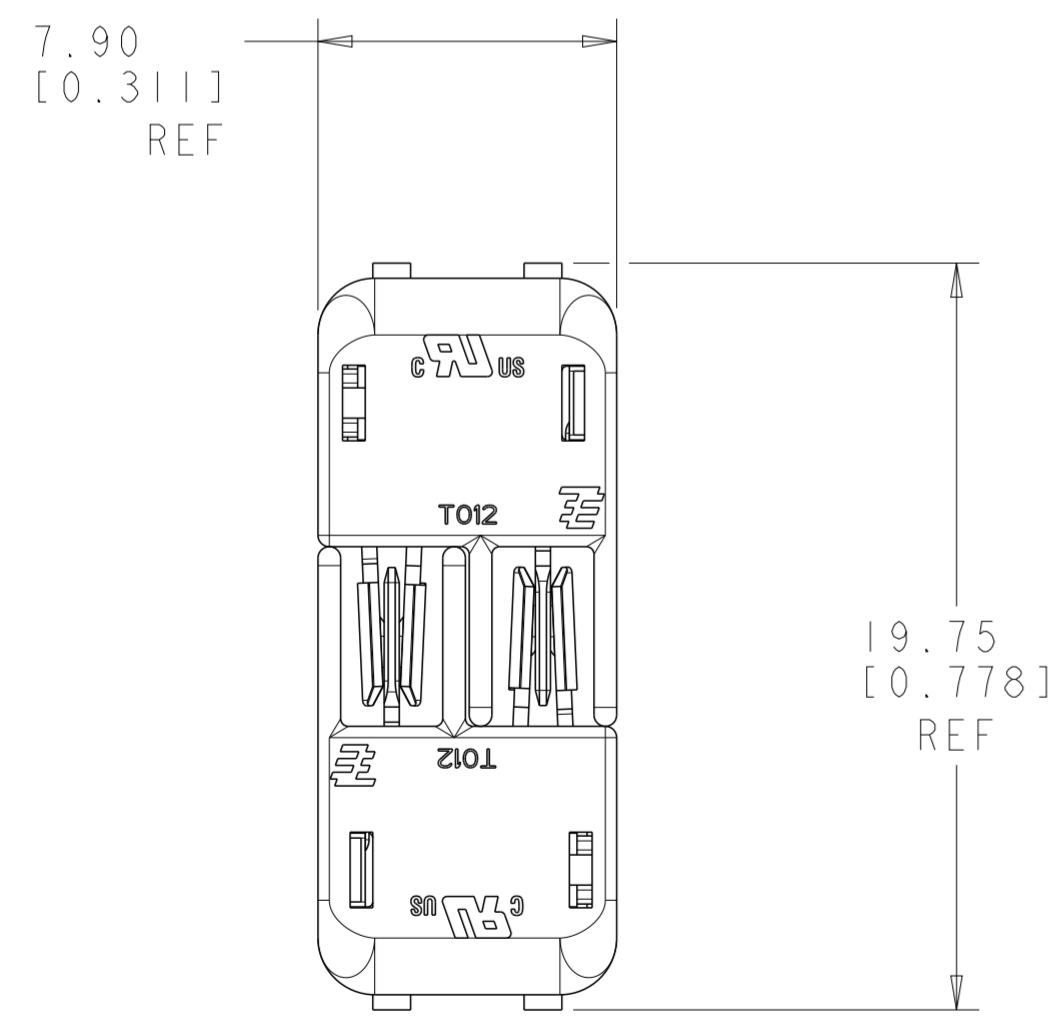
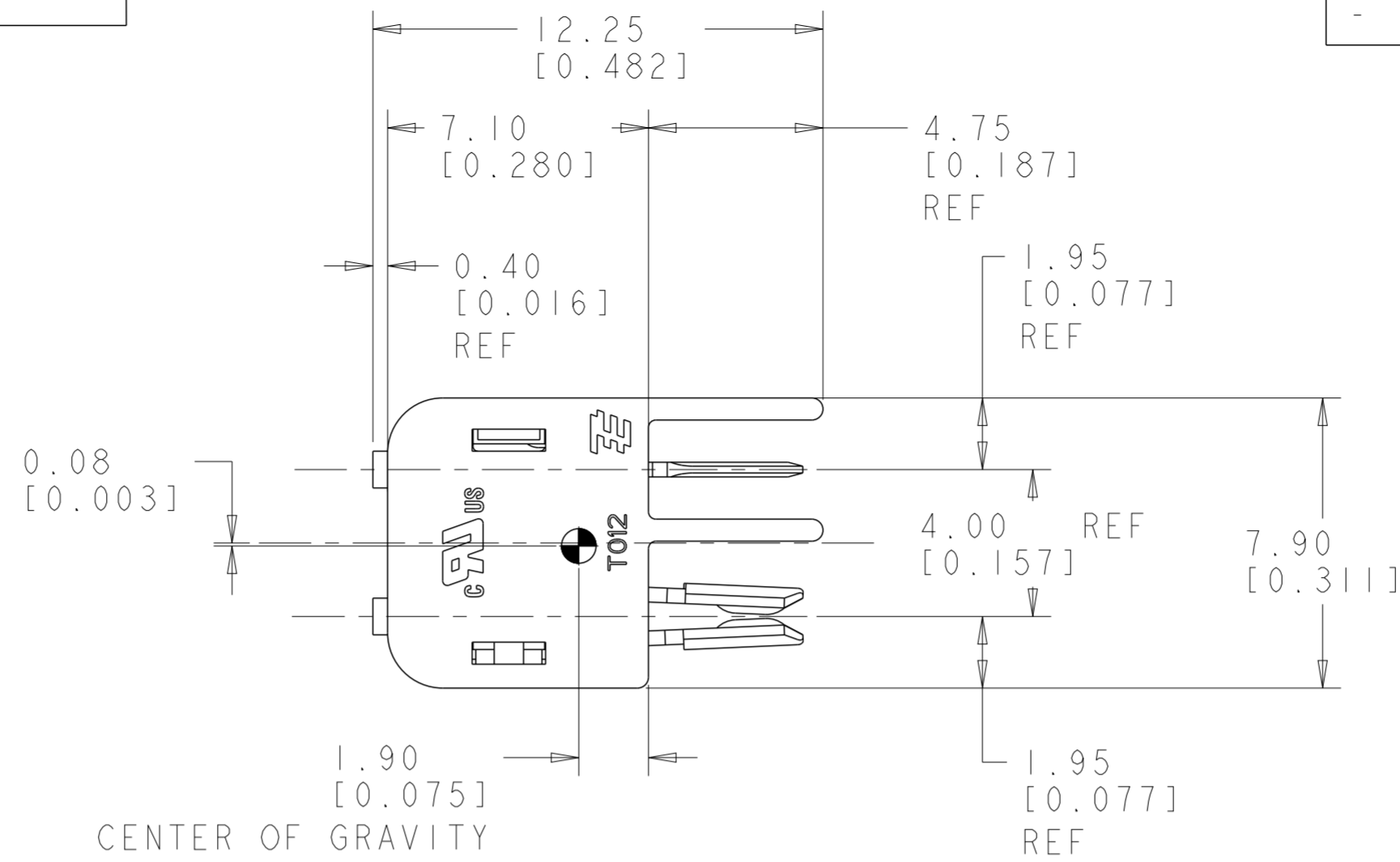


THIS DRAWING IS UNPUBLISHED. RELEASED FOR PUBLICATION 20
 © COPYRIGHT 20 BY - ALL RIGHTS RESERVED.

LOC		DIST		REVISIONS			
P	LTR	DESCRIPTION	DATE	DWN	APVD		
	1	INITIAL	11APR2012	RS	DD		
	2	INSTANCES -2 AND -3 ADDED	09APR2013	RS	DD		
	3	INSTANCES 1-1,1-2 AND 1-3 ADDED	17JAN2015	RS	DD		

NOTES:

- 1 MATERIALS AND FINISH
 - HOUSING: LCP
 - CONTACTS: COPPER ALLOY, FINISH: GOLD
- 2 PRODUCT TO COMPLY WITH DIRECTIVE 2002/95/EC (ROHS)
- 3 PACKAGED IN TAPE AND REEL PER EIA-481 SPECIFICATIONS



6	BLACK	1-2154889-3
4	BLACK	1-2154889-2
2	BLACK	1-2154889-1
6	NATURAL	2154889-3
4	NATURAL	2154889-2
2	NATURAL	2154889-1
POSITION		COLOR
POSITION		PART NO.

MATED PAIRS SHOWN FOR REFERENCE

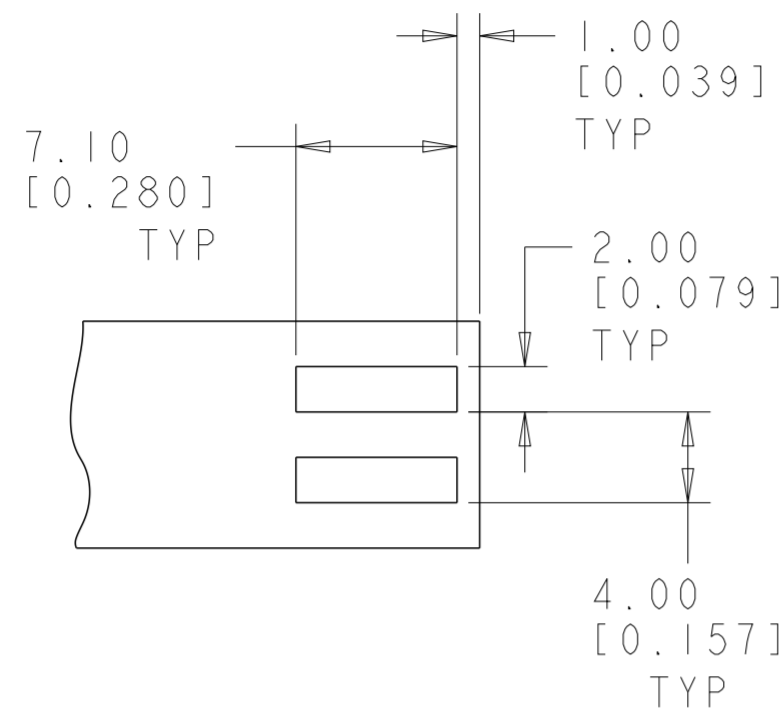
NEW PRODUCT
PRELIMINARY
IN DEVELOPMENT

THIS DRAWING IS A CONTROLLED DOCUMENT.

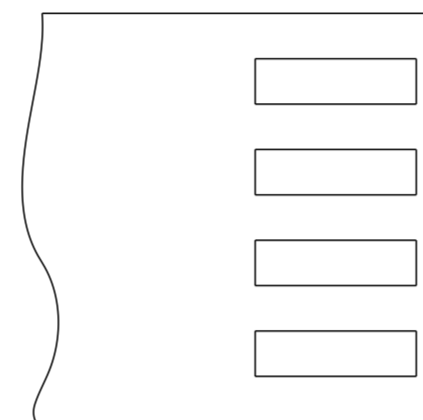
DIMENSIONS:	TOLERANCES UNLESS OTHERWISE SPECIFIED:	DWN	11APR2012	TE Connectivity	
mm	0 PLC ±	CHK	11APR2012		
	1 PLC ±	APVD	11APR2012		
	2 PLC ±0.13	PRODUCT SPEC	108-2342		
	3 PLC ±0.013	APPLICATION SPEC	114-13225	NAME	
	4 PLC ±	WEIGHT	-	CONNECTOR ASSEMBLY, HERMAPHRODITIC BLADE AND RECEPTACLE	
	ANGLES ±1°	SCALE	6:1	SIZE	RESTRICTED TO
MATERIAL	FINISH	Customer Drawing	SHEET	A200779	2
			OF	C-2154889	3
			REV		

THIS DRAWING IS UNPUBLISHED. RELEASED FOR PUBLICATION 20
 © COPYRIGHT 20 BY - ALL RIGHTS RESERVED.

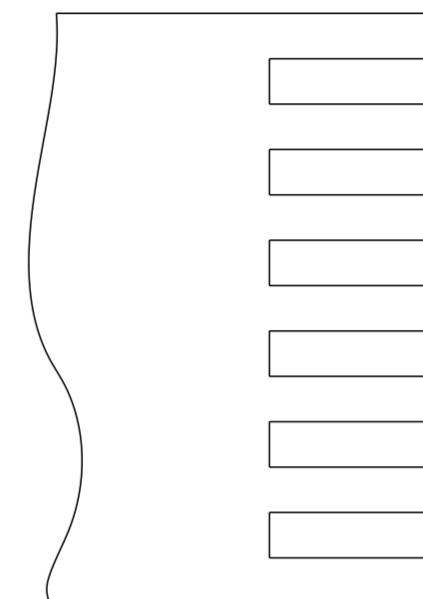
LOC		DIST		REVISIONS			
P	LTR	DESCRIPTION	DATE	DWN	APVD		
-	-	SEE SHEET 1	-	-	-		



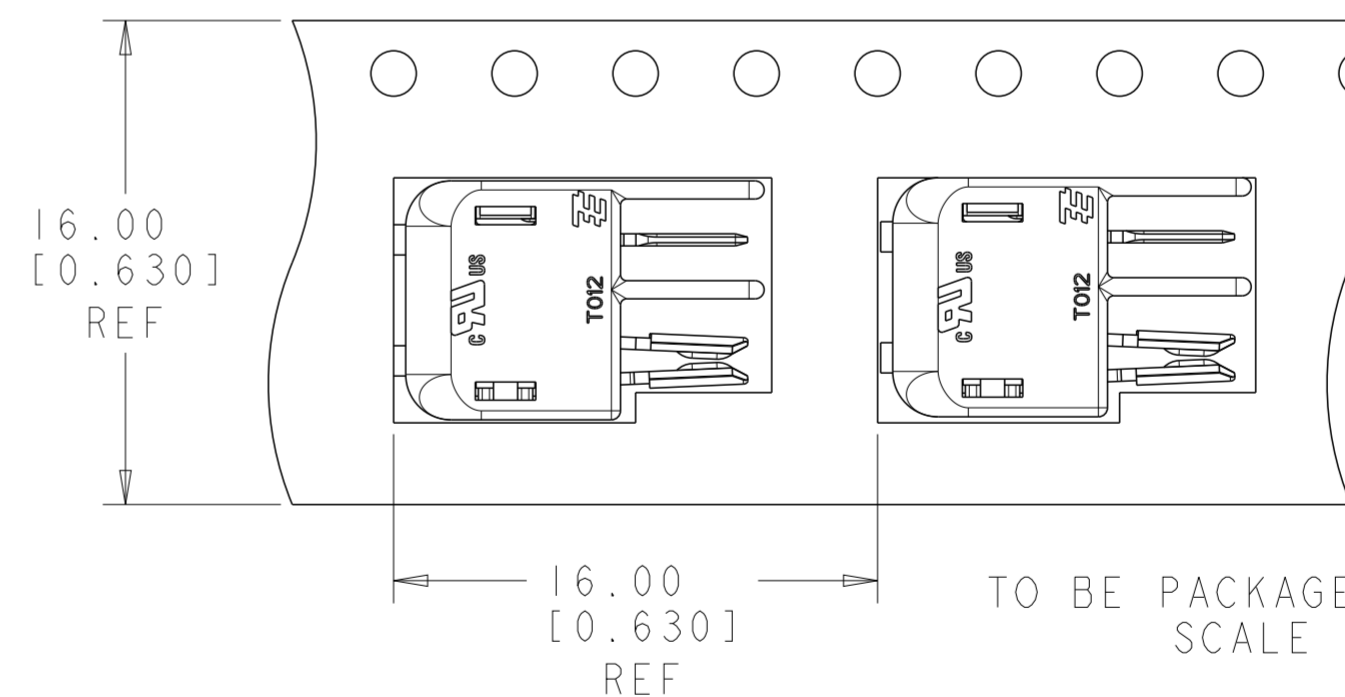
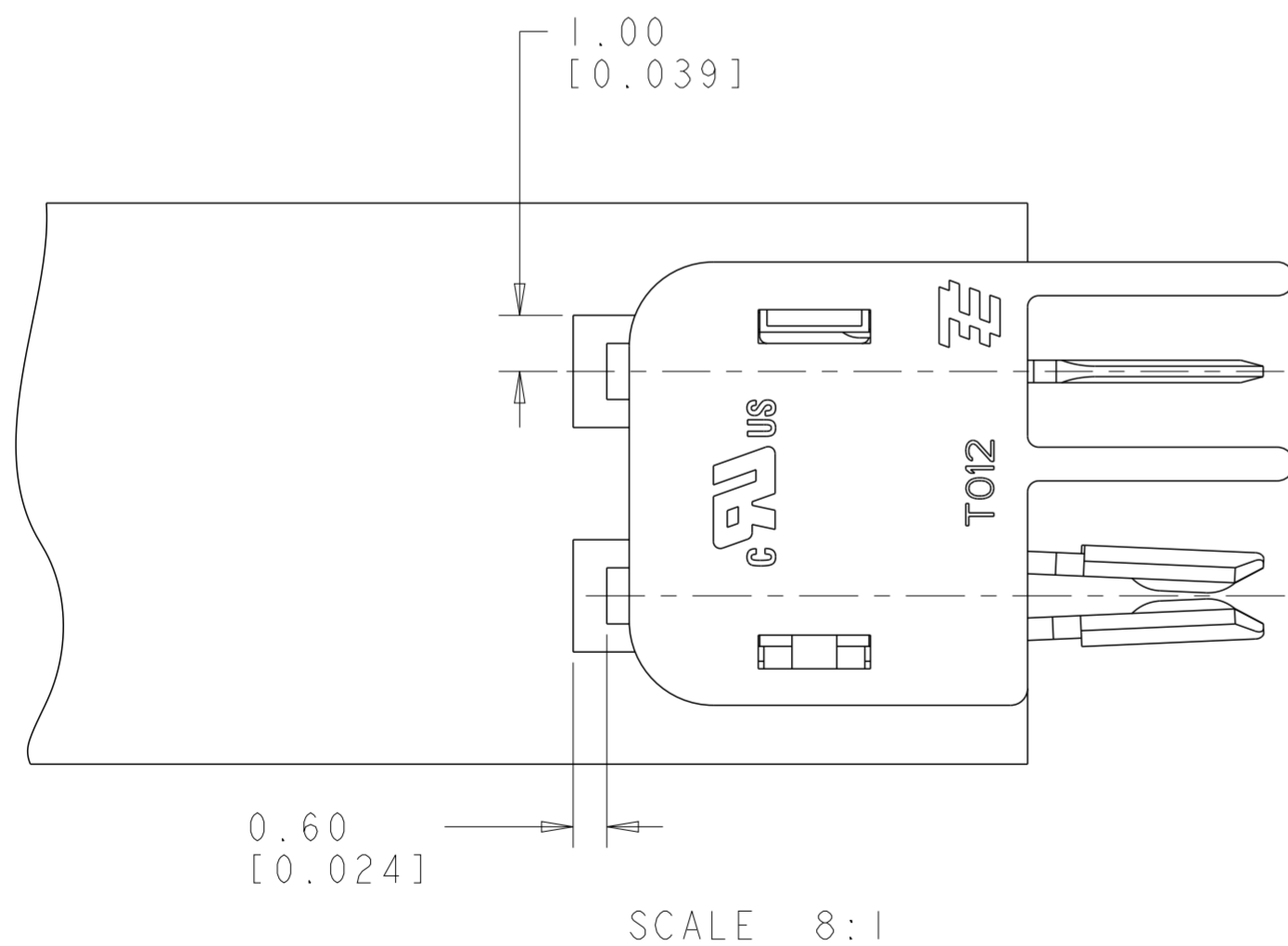
RECOMMENDED PCB LAYOUT FOR 2154889-1 & 1-2154889-1



RECOMMENDED PCB LAYOUT FOR 2154889-2 & 1-2154889-2



RECOMMENDED PCB LAYOUT FOR 2154889-3 & 1-2154889-3



NEW PRODUCT
PRELIMINARY
 IN DEVELOPMENT

THIS DRAWING IS A CONTROLLED DOCUMENT.		DWN RAVLS 11APR2012	TE Connectivity	
DIMENSIONS: mm		CHK D. DECKER 11APR2012		
TOLERANCES UNLESS OTHERWISE SPECIFIED:		APVD D. DECKER 11APR2012	NAME CONNECTOR ASSEMBLY, HERMAPHRODITIC BLADE AND RECEPTACLE	
0 PLC ± 1 PLC ± 2 PLC ±0.13 3 PLC ±0.013 4 PLC ± ANGLES ±1° FINISH		PRODUCT SPEC 108-2342	SIZE A200779	
MATERIAL		APPLICATION SPEC 114-13225	DRAWING NO C-2154889	
-		WEIGHT -	RESTRICTED TO -	
-		Customer Drawing	SCALE 6:1	SHEET 2 OF 2 REV 3