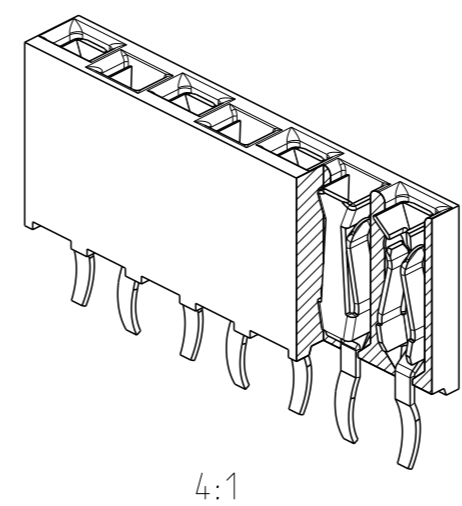
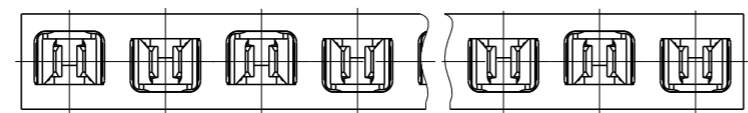
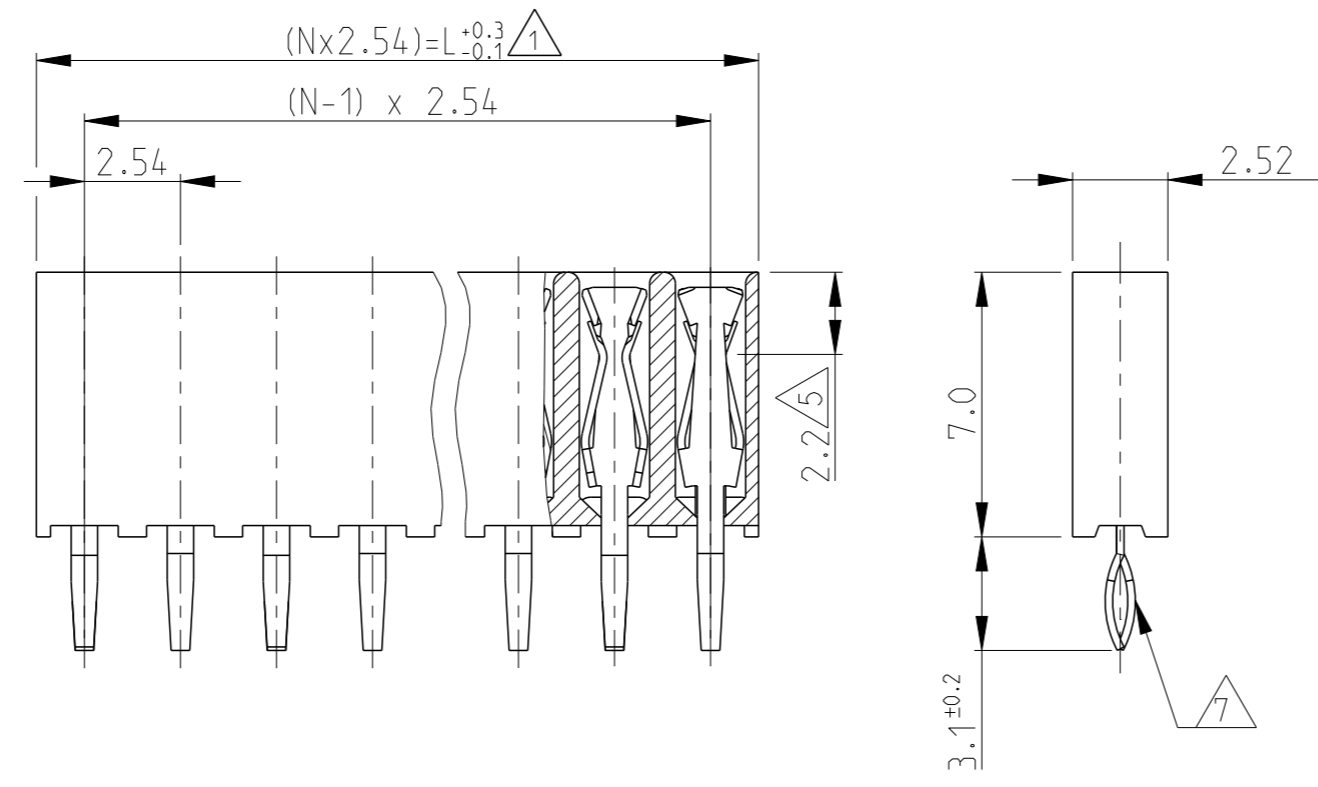


© 2019 TE Connectivity. All Rights Reserved.

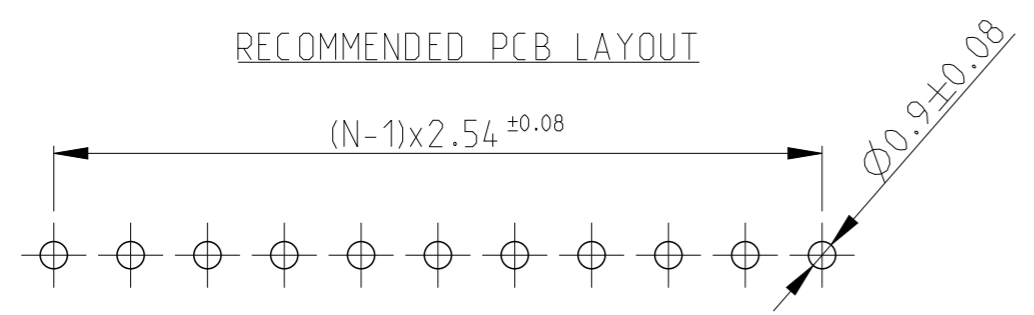
POS.	L	PART-NO.	
2	5.08	215298-2	
3	7.62	3	OBSOLETE
4	10.16	4	
5	12.70	5	
6	15.24	6	
7	17.78	7	
8	20.32	8	
9	22.86	9	OBSOLETE
10	25.40	10	OBSOLETE
11	27.94	11	
12	30.48	12	OBSOLETE
13	33.02	13	
14	35.56	14	
15	38.10	15	
16	40.64	16	
17	43.18	17	OBSOLETE
18	45.72	18	OBSOLETE
19	48.26	19	
20	50.80	20	
21	53.34	21	OBSOLETE
22	55.88	22	
23	58.42	23	
24	60.96	24	
25	63.50	25	OBSOLETE
26	66.04	26	OBSOLETE
27	68.58	27	
28	71.12	28	
29	73.66	29	
30	76.2	30	OBSOLETE
31	78.74	31	
32	81.28	32	
33	83.82	33	
34	86.36	34	
35	88.90	35	
36	91.44	3-215298-6	



REVISIONS					
P	LTR	DESCRIPTION	DATE	DWN	APVD
F		PLASTIC MATERIAL SUPPLIER CHANGE	18MAR2019	SS	PS
G		PLASTIC MATERIAL COLOR CHANGE	16MAR2023	AJK	SPS

- NOTES:
- TO DETERMINE DIMENSIONS TAKE N = NO. OF POS.
FOR EXAMPLE: 10 POS.: N x 2.54 = 25.4 mm
FOR ORDER NO. USE BASIC NO. + NO. OF POS.
FOR EXAMPLE: 2 POS.= 215298-2 (SHORTEST VERSION)
36 POS.= 3-215298-6 (LONGEST VERSION)
 - HOUSING MATERIAL: PBT BLACK GLASS FILLED, UL 94V-0.
CONTACT MATERIAL: PHOSPHOR BRONZE.
 - PLATING: 2.5 μm-4.0 μm TIN OVER MIN 0.5 μm NICKEL
 - MATES WITH 0.63 SQUARE/ROUND MODU POSTS.
 - CONTACT-POINT.
 - RECOMMENDED P.C.BOARD-THICKNESS: 1.6mm.
 - PC-BOARD RETENTION FEATURE.
 - HV100 CONNECTOR PACKED IN ANTISTATIC BLISTER TRAY
 - RETENTION FORCE MUST BE MINIMUM 5N PER CONTACT

RECOMMENDED PCB LAYOUT



THIS DRAWING IS A CONTROLLED DOCUMENT.		DWN A.HO 24FEB1989			
DIMENSIONS: mm		CHK M.SCHAARSCHMIDT 24FEB1989			
TOLERANCES UNLESS OTHERWISE SPECIFIED: ±0.15		APVD G.FELDMEIER	NAME HV 100 CONNECTOR ; VERTICAL ; 7.0mm TOP ENTRY; SINGLE ROW ; TIN		
0 PLC ± 1 PLC ± 2 PLC ± 3 PLC ± 4 PLC ± ANGLES ±		PRODUCT SPEC 108-19056	SIZE A3	CAGE CODE 00779	DRAWING NO G-215298
MATERIAL 2		FINISH 3	APPLICATION SPEC -	RESTRICTED TO	
CUSTOMER DRAWING			WEIGHT -	SCALE 5:1	SHEET 1 OF 1
			REV G		