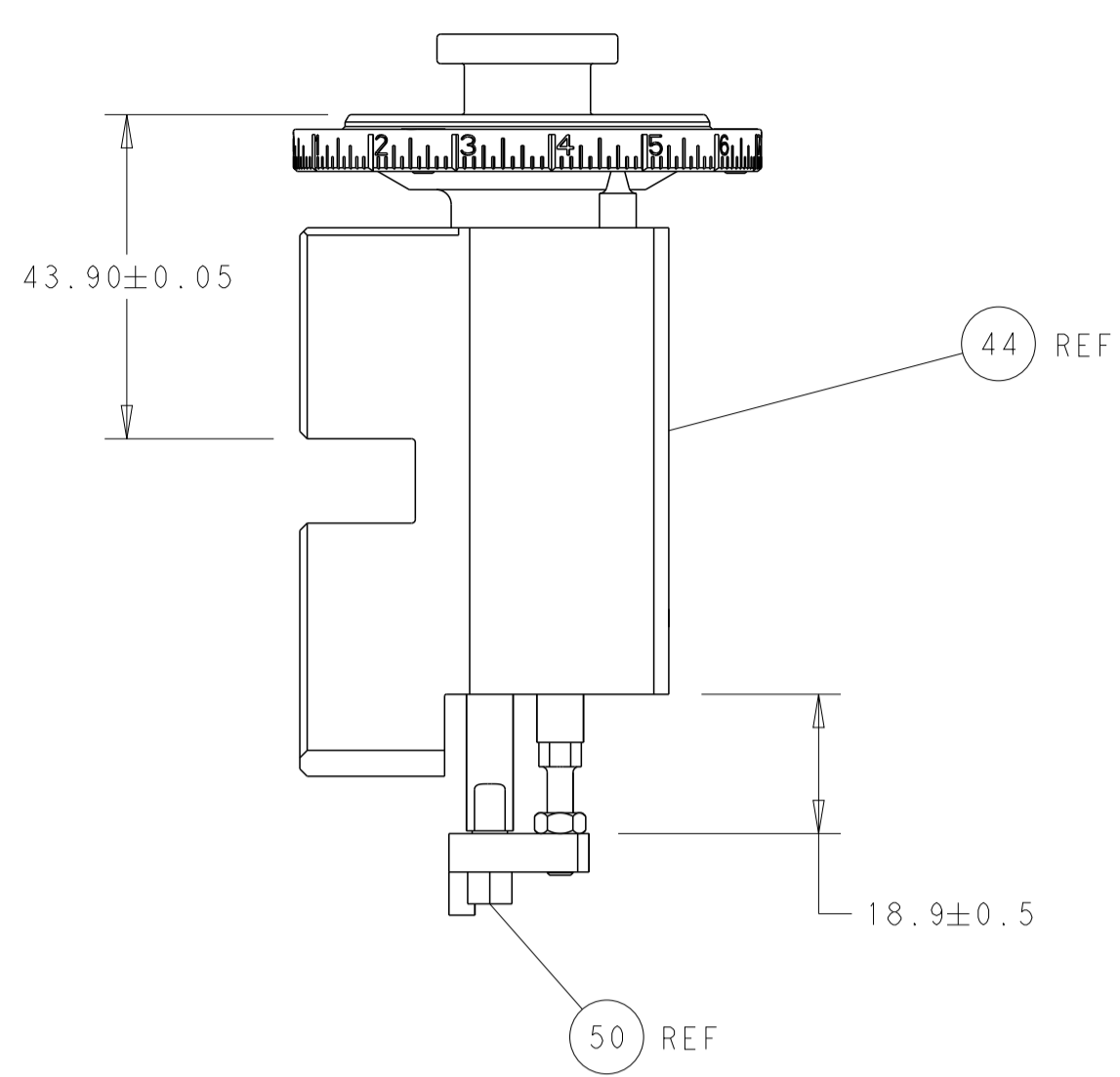
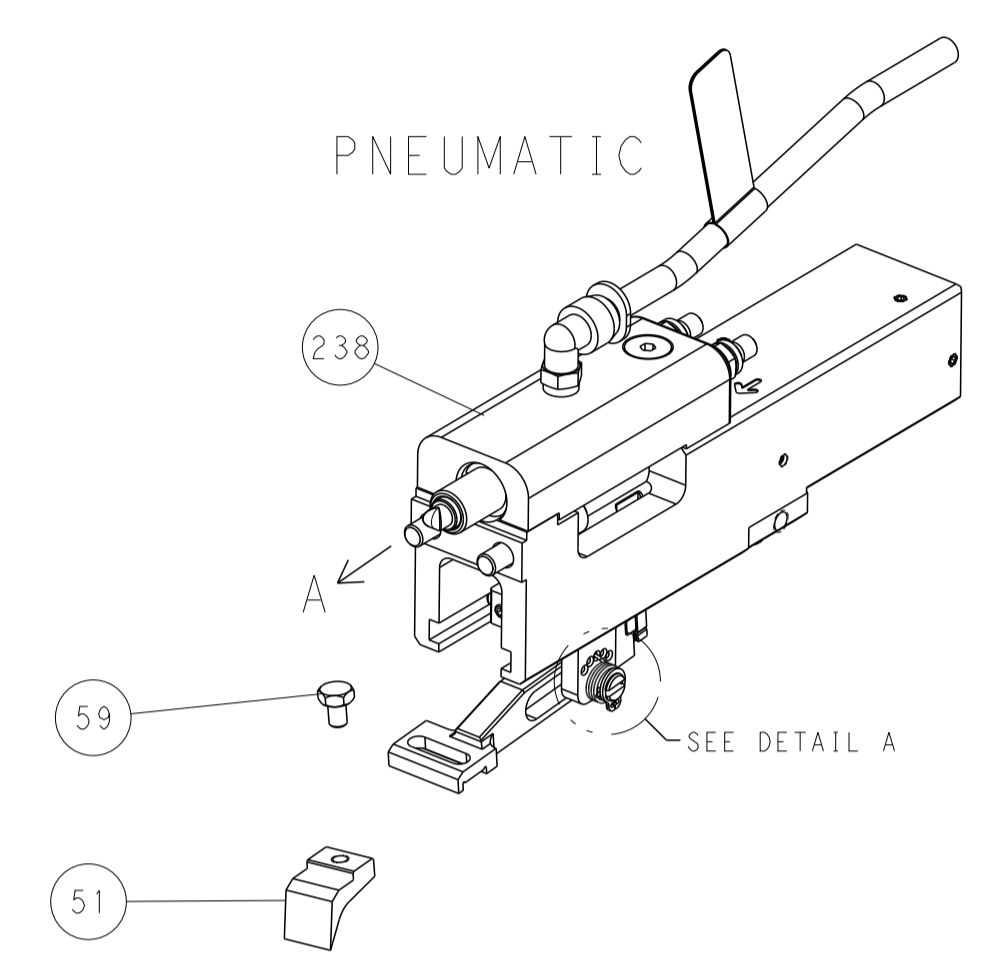


LOC	DIST	REV	DESCRIPTION	DATE	OWN	APVD
A	66		SEE SHEET 1			

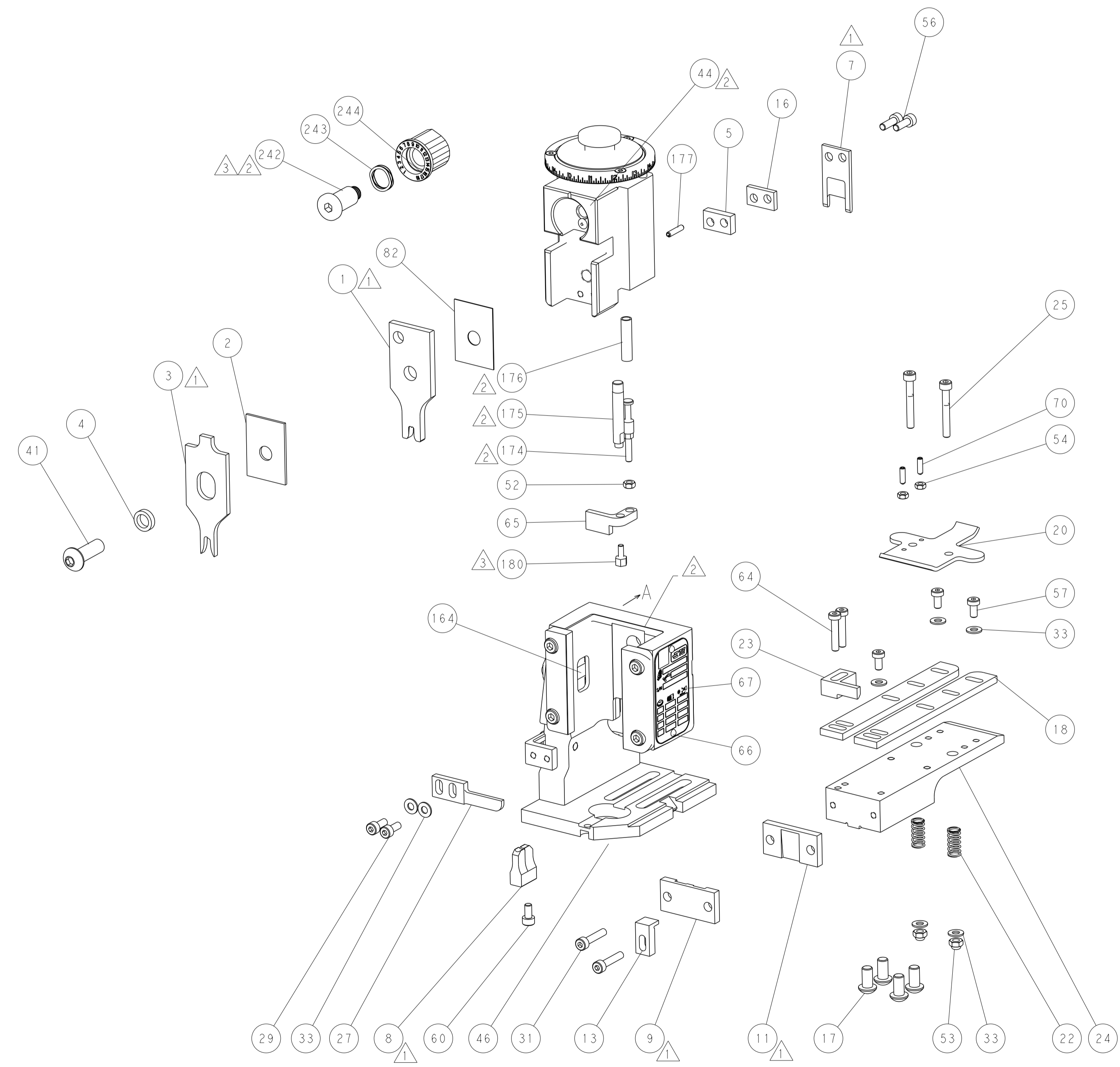
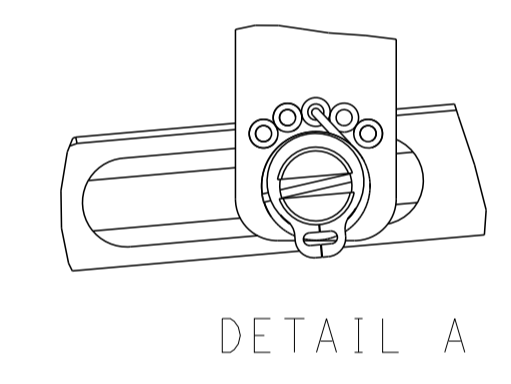


RAM AND HOLDDOWN SET-UP

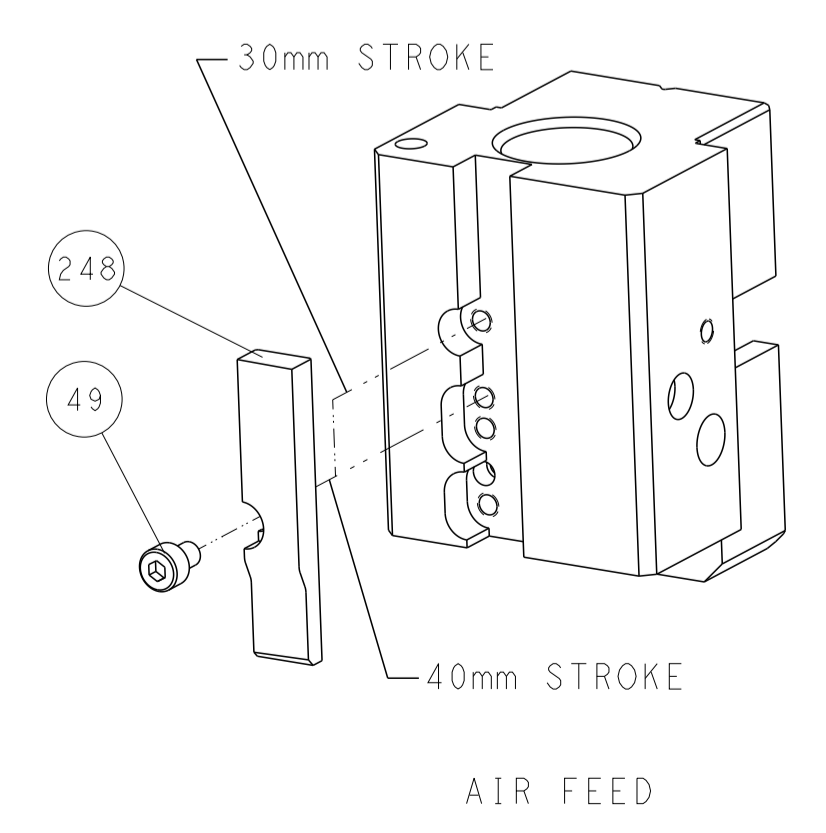
FEED TYPE



FEED SPRING SETTING POSITION



CAM POSITION



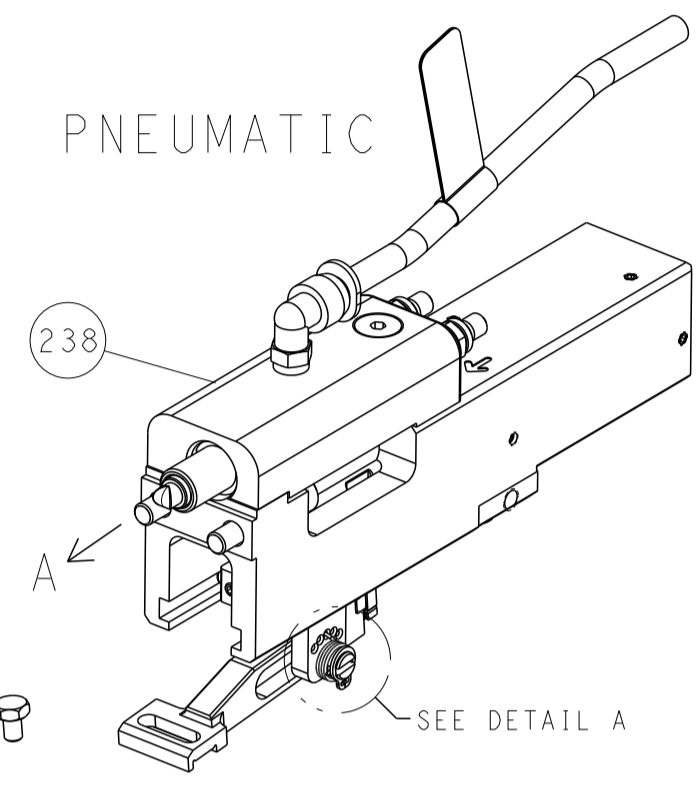
AIR FEED

ATLANTIC VERSION
 Shown on sheets 1 of 4 & 2 of 4
 (Pacific version shown on sheets 3 of 4 & 4 of 4)

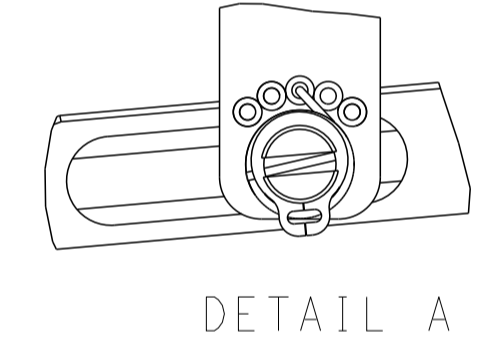
DIMENSIONS: mm 		TOLERANCES UNLESS OTHERWISE SPECIFIED: 0 PLC ± 1 PLC ± 2 PLC ± 3 PLC ± 4 PLC ± ANGLES ± FINISH ±		DWN X.ZHAO 17JAN2014 CHK L.ZHANG 17JAN2014 APVD T.ELBIN 17JAN2014 PRODUCT SPEC APPLICATION SPEC WEIGHT Customer Accessible Production Drawing		NAME Ocean End Feed Applicator SIZE CAGE CODE DRAWING NO A1 00779 C=2150275 SCALE 1:1 SHEET 2 OF 4 REV B		RESTRICTED TO -	
THIS DRAWING IS UNPUBLISHED. RELEASED FOR PUBLICATION. IT IS THE PROPERTY OF TYCO ELECTRONICS CORPORATION AND IS NOT TO BE REPRODUCED OR TRANSMITTED IN ANY FORM OR BY ANY MEANS, ELECTRONIC OR MECHANICAL, INCLUDING PHOTOCOPYING, RECORDING, OR BY ANY INFORMATION STORAGE AND RETRIEVAL SYSTEM.				TE Connectivity Harrisburg, PA 17105-3608		SHEETS 3 & 4 ARE NOT REQUIRED FOR ATLANTIC VERSION			

LOC	DIST	REVISIONS			
P	LTN	DESCRIPTION	DATE	OWN	APVD
A	66	SEE SHEET 1			

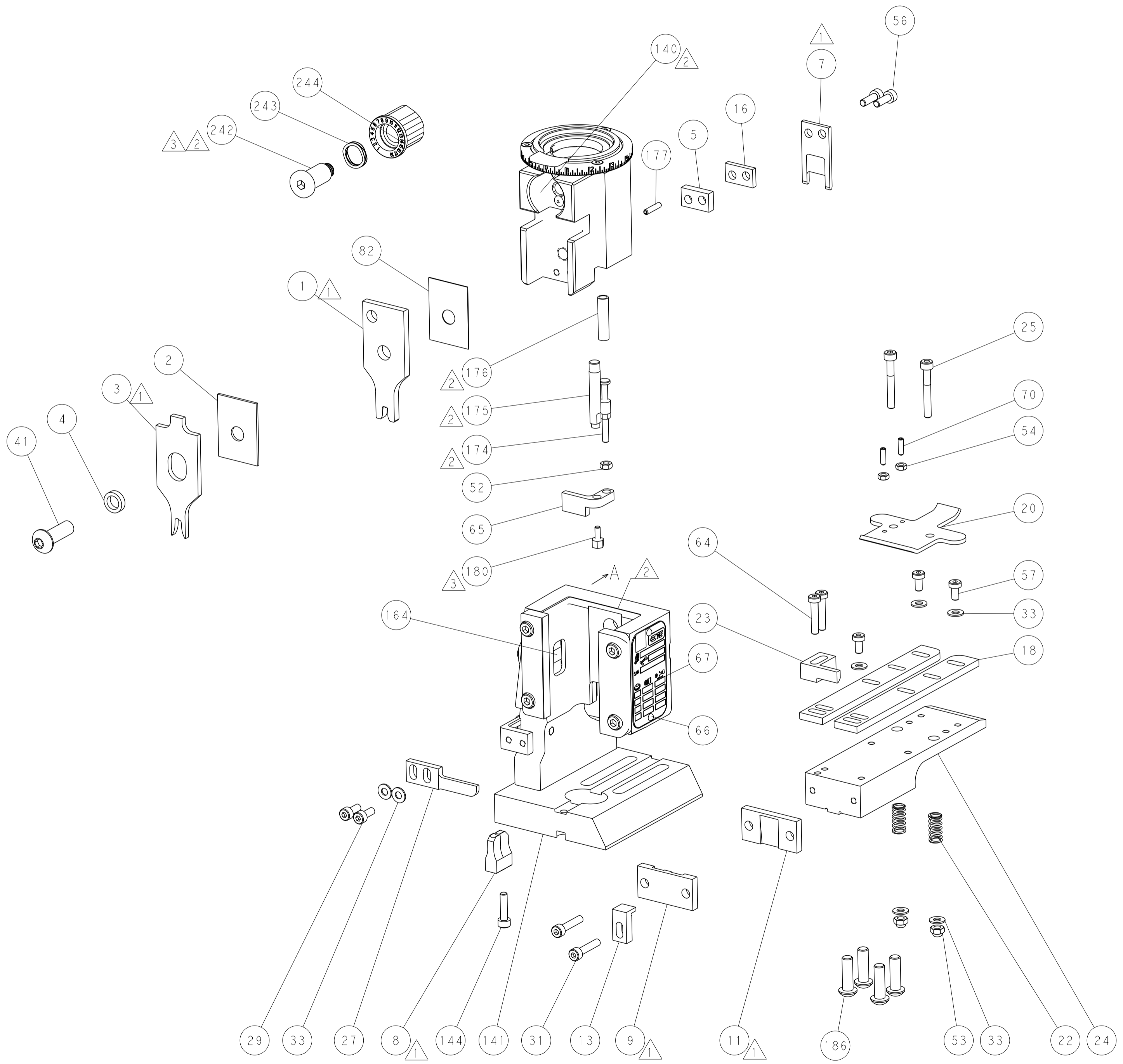
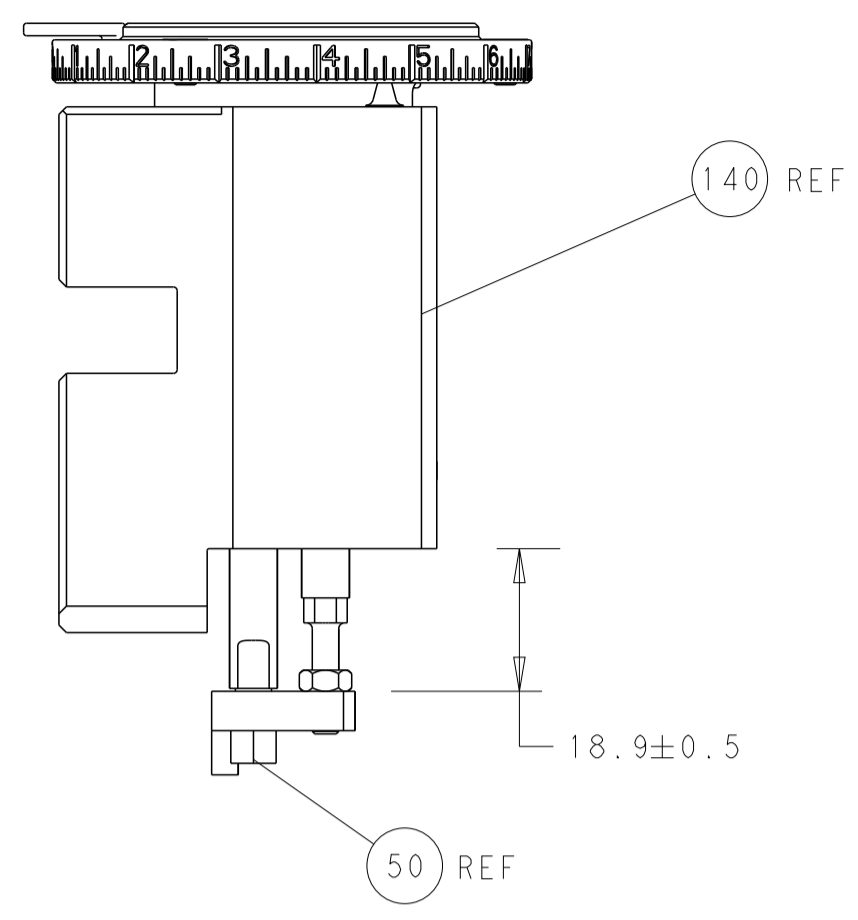
FEED TYPE



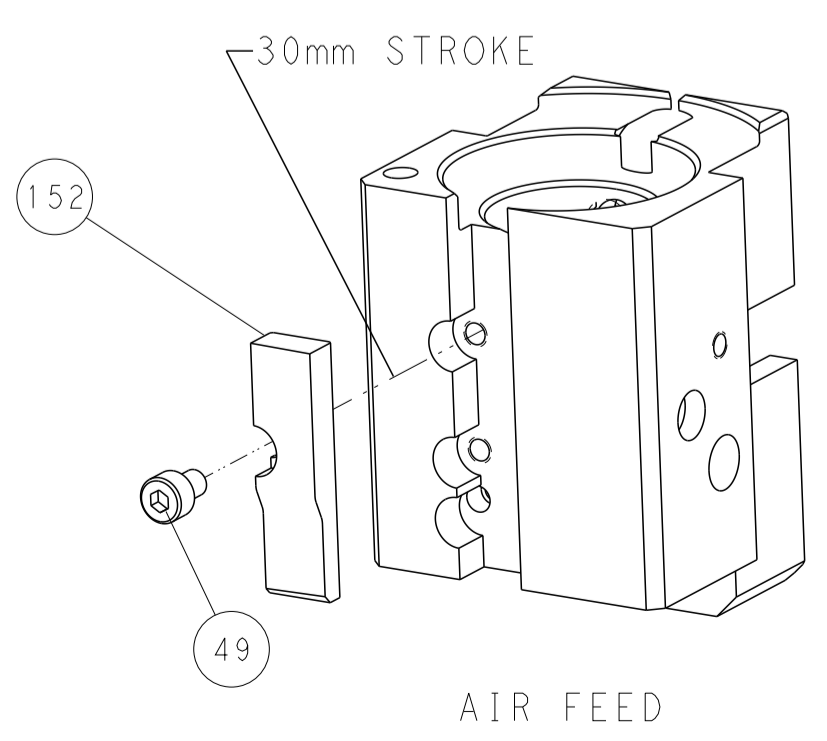
FEED SPRING SETTING POSITION



RAM AND HOLDDOWN SET-UP



CAM POSITION



PACIFIC VERSION
 Shown on sheets 3 of 4 & 4 of 4
 (Atlantic version shown on sheets 1 of 4 & 2 of 4)

<small>THIS DRAWING IS UNPUBLISHED. RELEASED FOR PUBLICATION. ALL RIGHTS RESERVED. © 2014 BY TYCO ELECTRONICS CORPORATION. THIS IS A PROPRIETARY AND CONFIDENTIAL DOCUMENT. ANY REPRODUCTION OR DISSEMINATION OF THIS INFORMATION TO UNAUTHORIZED PERSONS OR ORGANIZATIONS IS STRICTLY PROHIBITED. SHOULD BE CONTACTED FOR THE LATEST REVISION.</small>		DWN X.ZHAO 17JAN2014 CHK L.ZHANG 17JAN2014 APVD T.ELBIN 17JAN2014	TE Connectivity Harrisburg, PA 17105-3608
DIMENSIONS: mm TOLERANCES UNLESS OTHERWISE SPECIFIED: 0 PLC ± 1 PLC ± 2 PLC ± 3 PLC ± 4 PLC ± ANGLES ± FINISH		NAME PRODUCT SPEC APPLICATION SPEC WEIGHT SCALE 1:1	NAME Ocean End Feed Applicator SIZE CAGE CODE DRAWING NO A 00779 C=2150275 RESTRICTED TO SHEET 4 OF 4 REV B
MATERIAL:		Customer Accessible Production Drawing	