

4

3

2

1

THIS DRAWING IS UNPUBLISHED. RELEASED FOR PUBLICATION 20
 © COPYRIGHT 20 BY - ALL RIGHTS RESERVED.

REVISIONS				
P	LTR	DESCRIPTION	DATE	APVD
A		RELEASED ECO-14-002997	24MAR2014	LAW SB
A1		REVISED PER ECN-24-264411	06MAY2024	TR SLB

2149448-1
SCALE 5:1

1 MATERIALS:
 HOUSING - ZINC ALLOY
 COVER, HOUSING - STAINLESS STEEL.
 EMI GASKET - CONDUCTIVE URETHANE FOAM
 RECEPTACLE HOUSING - LCP, BLACK, UL 94V-0 RATED
 CHICKLET - LCP, BLACK, UL 94V-0 RATED
 CONTACT - PHOSPHOR BRONZE
 EMI SPRING - COPPER ALLOY

2 FINISH:
 CONTACT - CONFORMS TO THE REQUIREMENTS OF TE
 PRODUCT SPECIFICATION 108-2426, BASED ON EIA/ECA-364-1000.01A,
 (CONTROLLED ENVIRONMENT APPLICATIONS) ON MATING INTERFACE,
 MATTE TIN OVER NICKEL UNDERPLATE ON COMPLIANT PIN
 HOUSING & HEAT SINK - NICKEL PLATE

3 NOTE DELETED

4 PCB THICKNESS = 1.57 MIN

5 FOR HOLE SIZE AND FINISHES, SEE APPLICATION SPEC 114-13283

6 THE ENTIRE AREA OF THE CONNECTOR FOOTPRINT, INDICATED
 BY CROSSHATCHING, TO BE CONSIDERED THE KEEPOUT AREA FOR
 COMPONENTS AND SIGNAL TRACES, TOP SIDE ONLY, TOP SIDE
 TRACES ALLOWED WITHIN CONNECTOR HOLE PATTERN, CROSSHATCHING
 TO BE CONDUCTIVE

7. MOUNTING HARDWARE REQUIRED:
 M2X0.4 (4) - MOUNTING SCREW LENGTH = BOARD THICKNESS + 4mm MAX

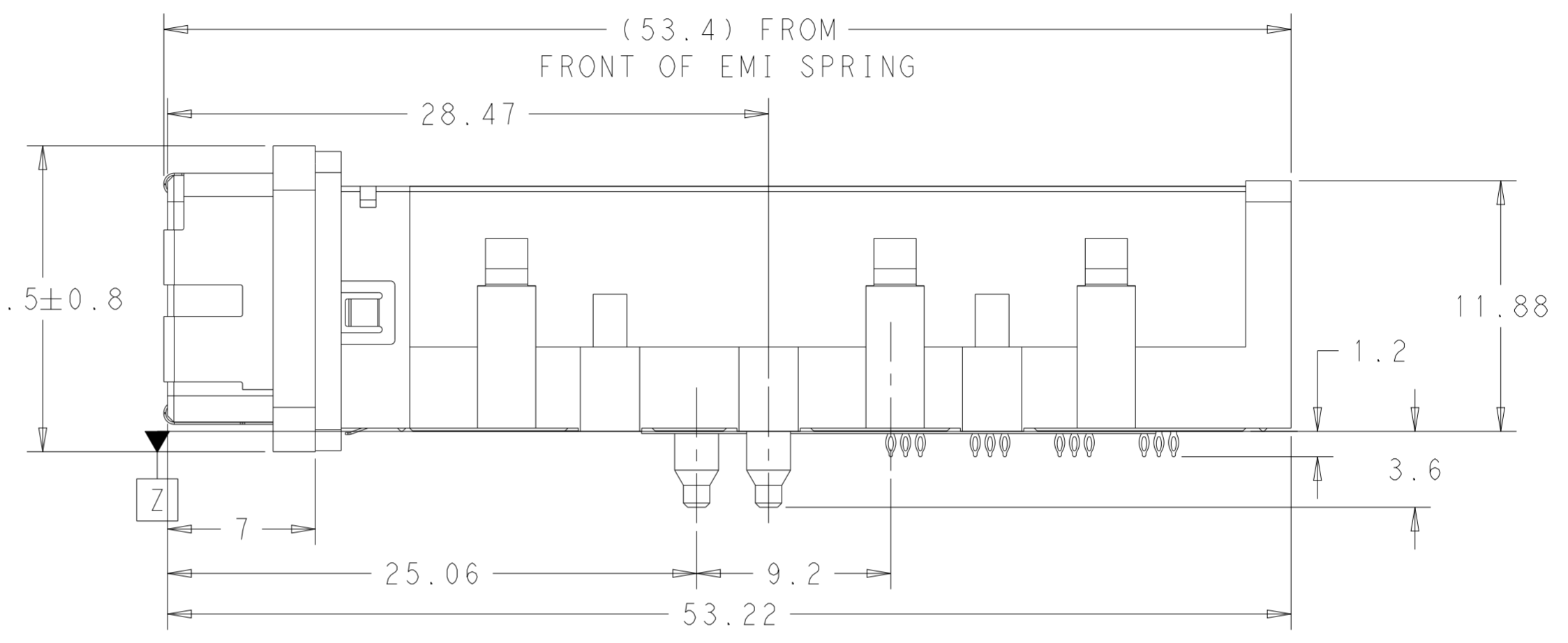
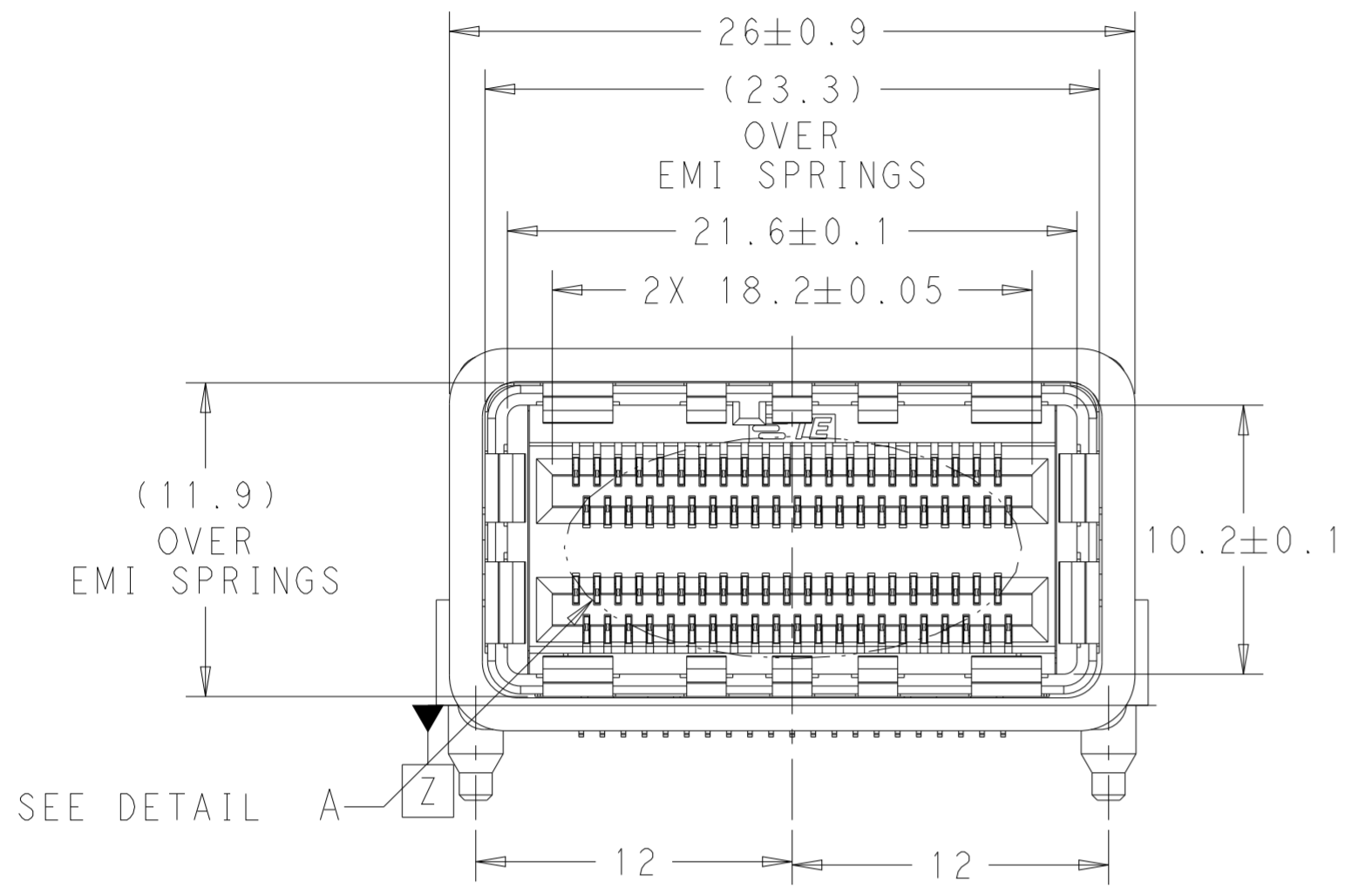
OBSOLETE	3	84 POSITION RECEPTACLE HOUSING SUB-ASSEMBLY	2149448-2
OBSOLETE	2	84 POSITION RECEPTACLE HOUSING SUB-ASSEMBLY	2149448-1
FINISH		DESCRIPTION	PART NUMBER

THIS DRAWING IS A CONTROLLED DOCUMENT. DIMENSIONING AND TOLERANCING PER ASME Y14.5M-2009		DWN M. E. COWHER 03AUG2010	TE Connectivity	
DIMENSIONS: mm		CHK M. D. MORRISON 03AUG2010		
TOLERANCES UNLESS OTHERWISE SPECIFIED:		APVD M. D. MORRISON 03AUG2010	NAME RECEPTACLE HOUSING SUB-ASSEMBLY 84 POSITION, CXP	
0 PLC ±0.15		PRODUCT SPEC 108-2426	SIZE A2	
1 PLC ±0.15		APPLICATION SPEC 114-13283	CAGE CODE 00779	DRAWING NO 2149448
2 PLC ±0.15		WEIGHT -	RESTRICTED TO -	
3 PLC ±			SCALE 2:1	SHEET 1 OF 3
4 PLC ±			REV A1	
ANGLES ±0.5				
FINISH				
1	2			

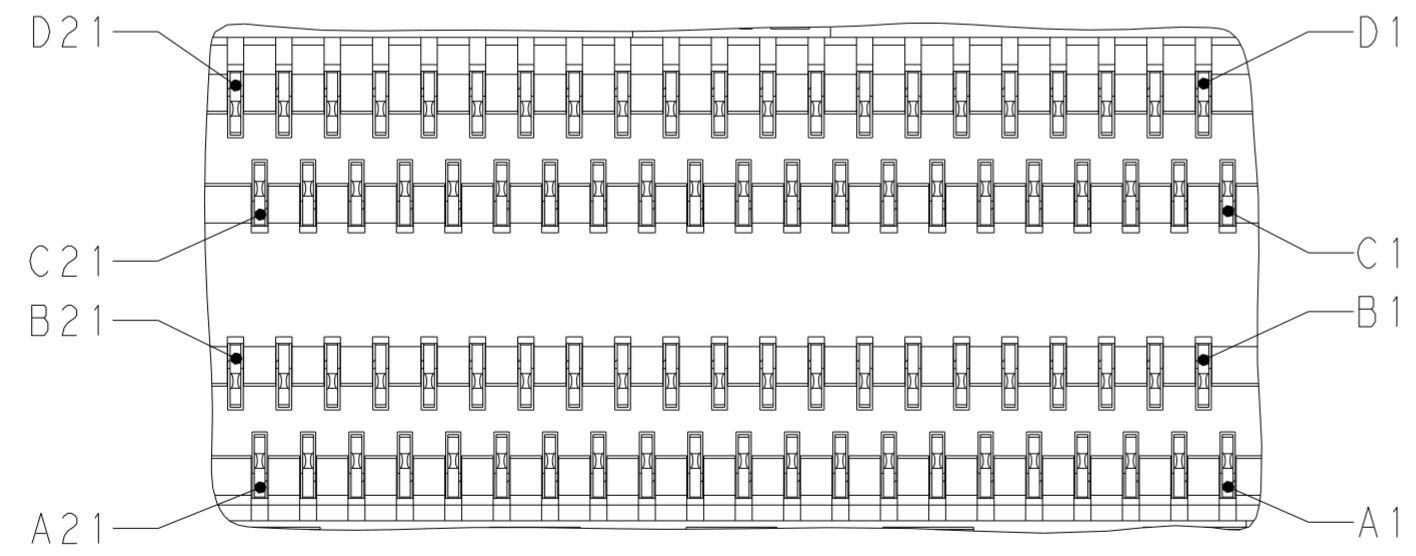
1471-9 (3/13)

THIS DRAWING IS UNPUBLISHED. RELEASED FOR PUBLICATION 20
 © COPYRIGHT 20 BY - ALL RIGHTS RESERVED.

REVISIONS				
P	LTR	DESCRIPTION	DATE	APVD
-	-	SEE SHEET 1	-	-



2149448-1
 SCALE 4:1



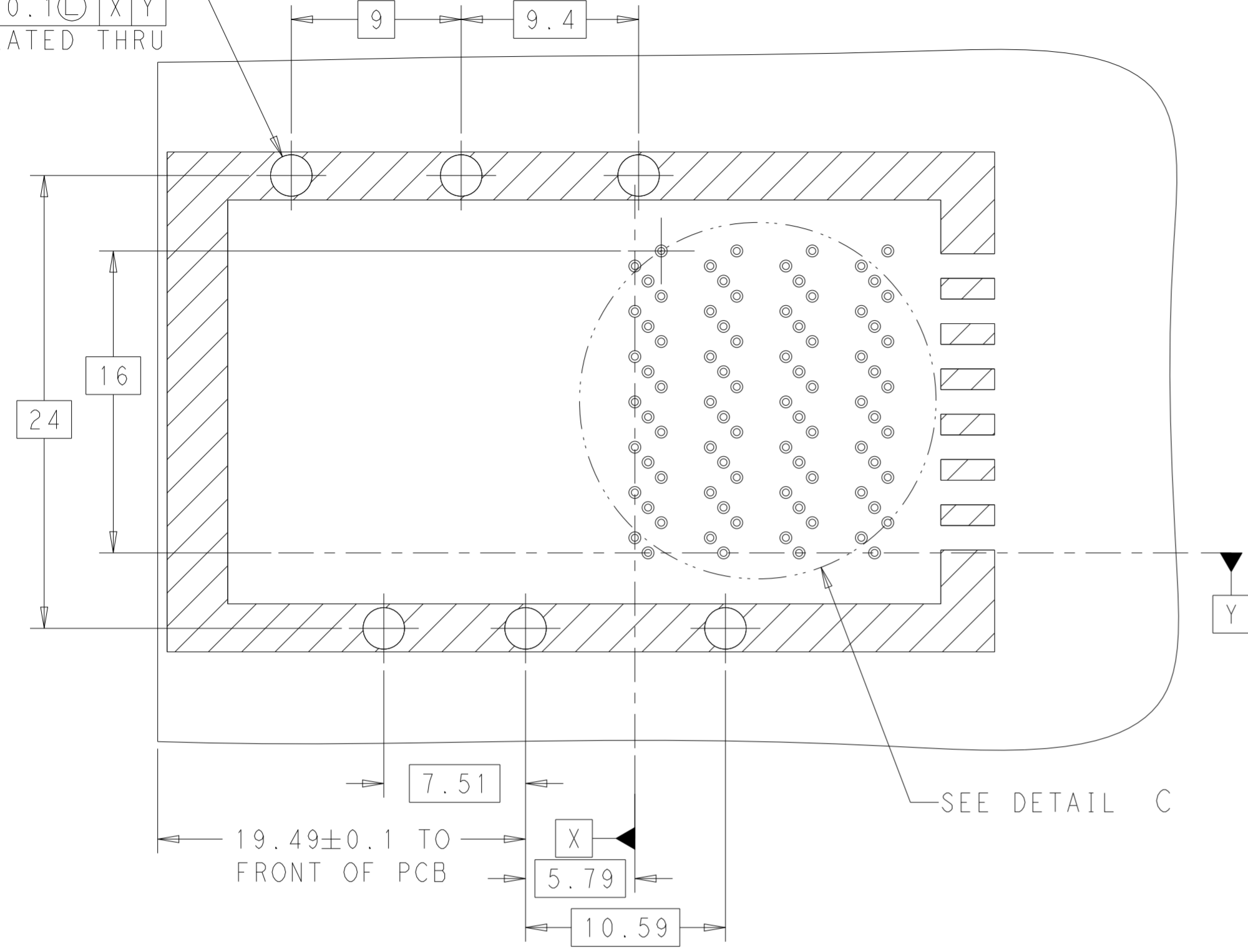
DETAIL A
 RECOMMENDED PIN CALLOUT
 SCALE 8:1

THIS DRAWING IS A CONTROLLED DOCUMENT. DIMENSIONING AND TOLERANCING PER ASME Y14.5M-2009		DWN M.E. COWHER 03AUG2010	TE Connectivity	
DIMENSIONS: mm		CHK M.D. MORRISON 03AUG2010		
TOLERANCES UNLESS OTHERWISE SPECIFIED:		APVD M.D. MORRISON 03AUG2010	NAME RECEPTACLE HOUSING SUB-ASSEMBLY 84 POSITION, CXP	
0 PLC ±0.15 1 PLC ±0.15 2 PLC ±0.15 3 PLC ± 4 PLC ± ANGLES ±0.5 FINISH -		PRODUCT SPEC 108-2426	SIZE A200779	CAGE CODE C-2149448
MATERIAL -		APPLICATION SPEC 114-13283	DRAWING NO C-2149448	RESTRICTED TO -
-		WEIGHT -	SCALE 2:1	SHEET 2 OF 3
-		Customer Drawing	REV A1	

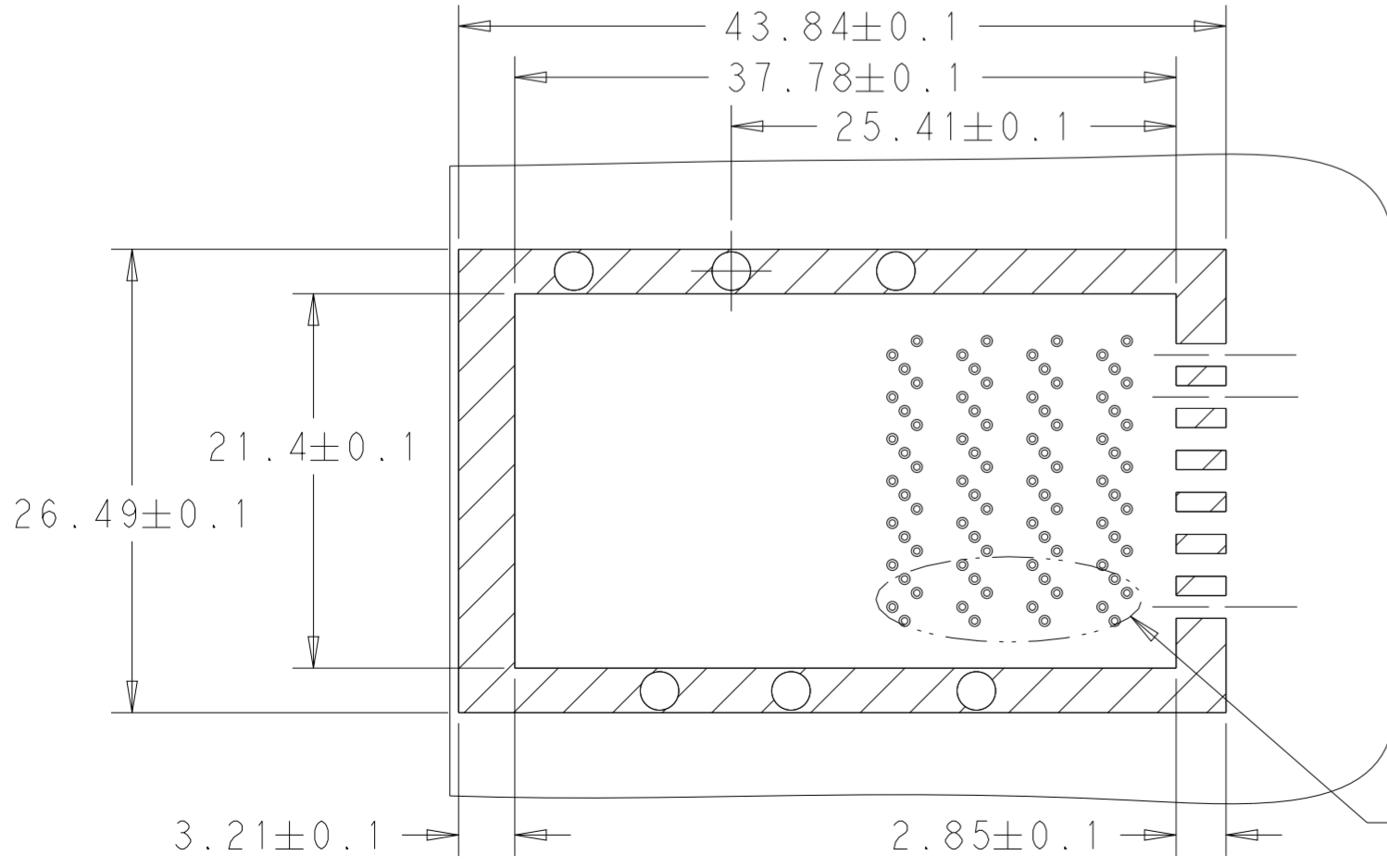
THIS DRAWING IS UNPUBLISHED. RELEASED FOR PUBLICATION 20
 © COPYRIGHT 20 BY - ALL RIGHTS RESERVED.

REVISIONS					
P	LTR	DESCRIPTION	DATE	DWN	APVD
-	-	SEE SHEET 1	-	-	-

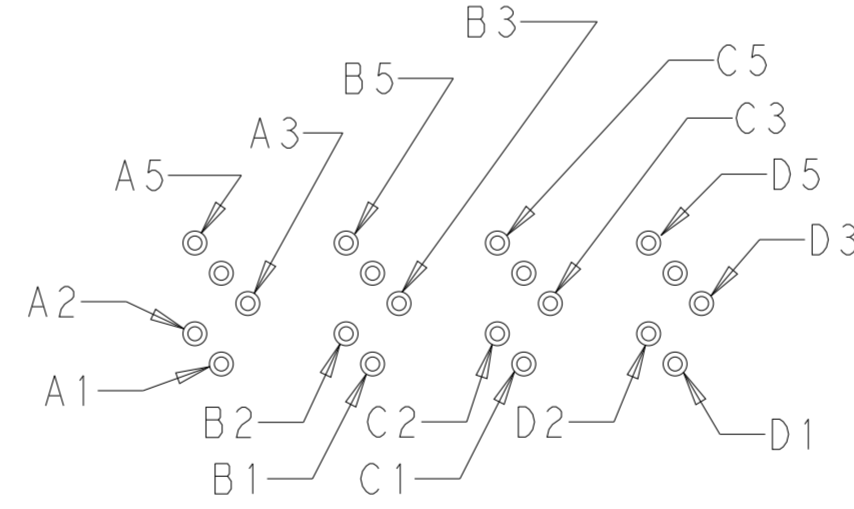
6X $\varnothing 2.2 \pm 0.05$
 $\oplus \varnothing 0.1 \text{ (L) X Y}$
 PLATED THRU



$\triangle 4 \triangle 5$ RECOMMENDED PCB LAYOUT
 COMPONENT SIDE SHOWN
 SCALE 4:1

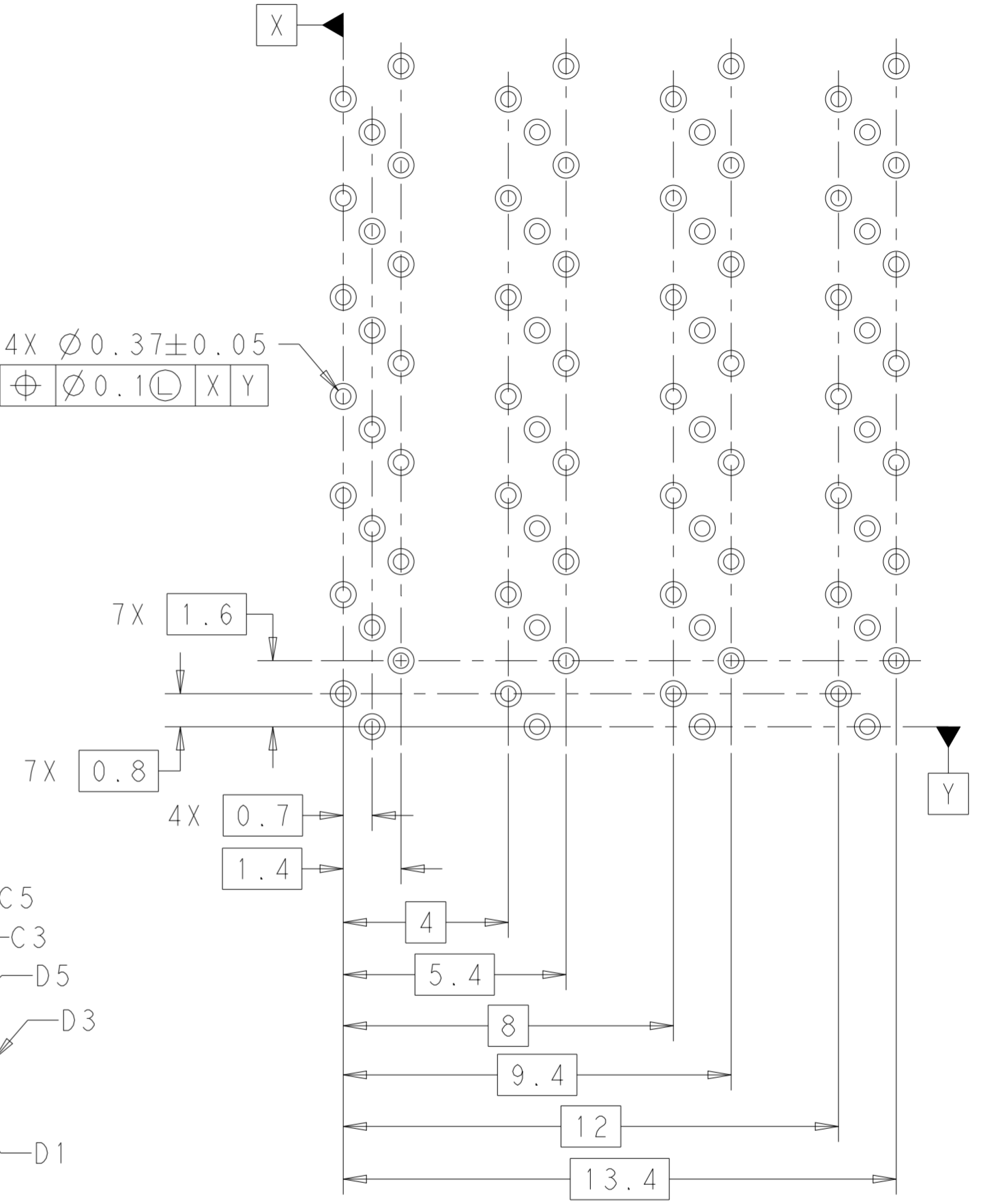


$\triangle 6$ RECOMMENDED KEEPOUT AREA
 SCALE 5:2



DETAIL D
 PIN CALLOUT (TYPICAL)
 SCALE 5:1

$\triangle 5$ 84X $\varnothing 0.37 \pm 0.05$
 $\oplus \varnothing 0.1 \text{ (L) X Y}$



DETAIL C
 RECOMMENDED CONNECTOR LAYOUT
 SCALE 8:1

THIS DRAWING IS A CONTROLLED DOCUMENT. DIMENSIONING AND TOLERANCING PER ASME Y14.5M-2009		DWN M. E. COWHER 03AUG2010	TE Connectivity		
DIMENSIONS: mm		CHK M. D. MORRISON 03AUG2010			
TOLERANCES UNLESS OTHERWISE SPECIFIED:		APVD M. D. MORRISON 03AUG2010	NAME RECEPTACLE HOUSING SUB-ASSEMBLY 84 POSITION, CXP		
0 PLC ± 0.15	1 PLC ± 0.15	PRODUCT SPEC 108-2426	SIZE A2	CAGE CODE 00779	DRAWING NO C-2149448
2 PLC ± 0.15	3 PLC \pm	APPLICATION SPEC 114-13283	RESTRICTED TO	-	
4 PLC \pm	ANGLES ± 0.5	WEIGHT -	SCALE 2:1	SHEET 3 OF 3	REV A1
MATERIAL -	FINISH -	Customer Drawing			