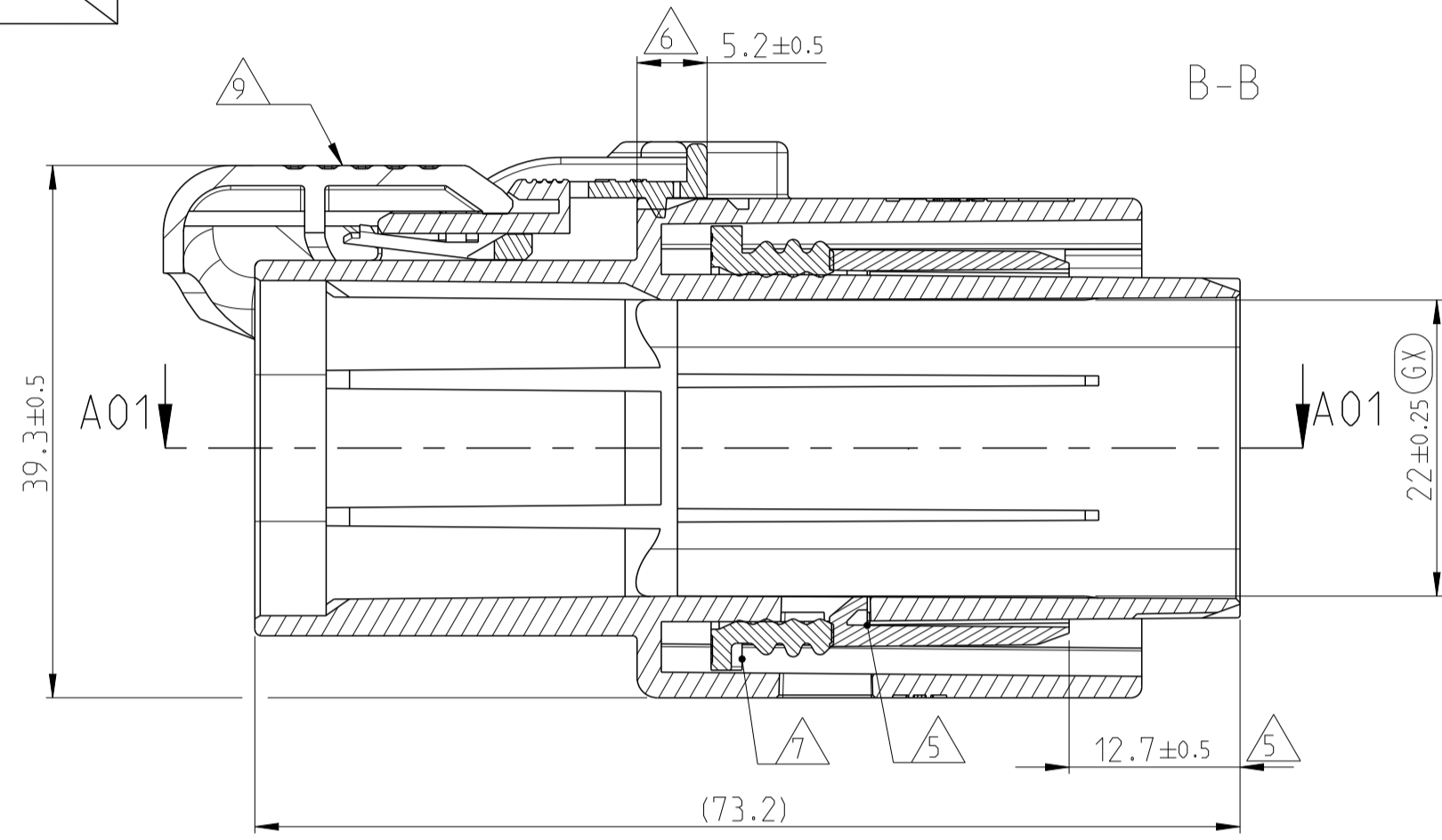
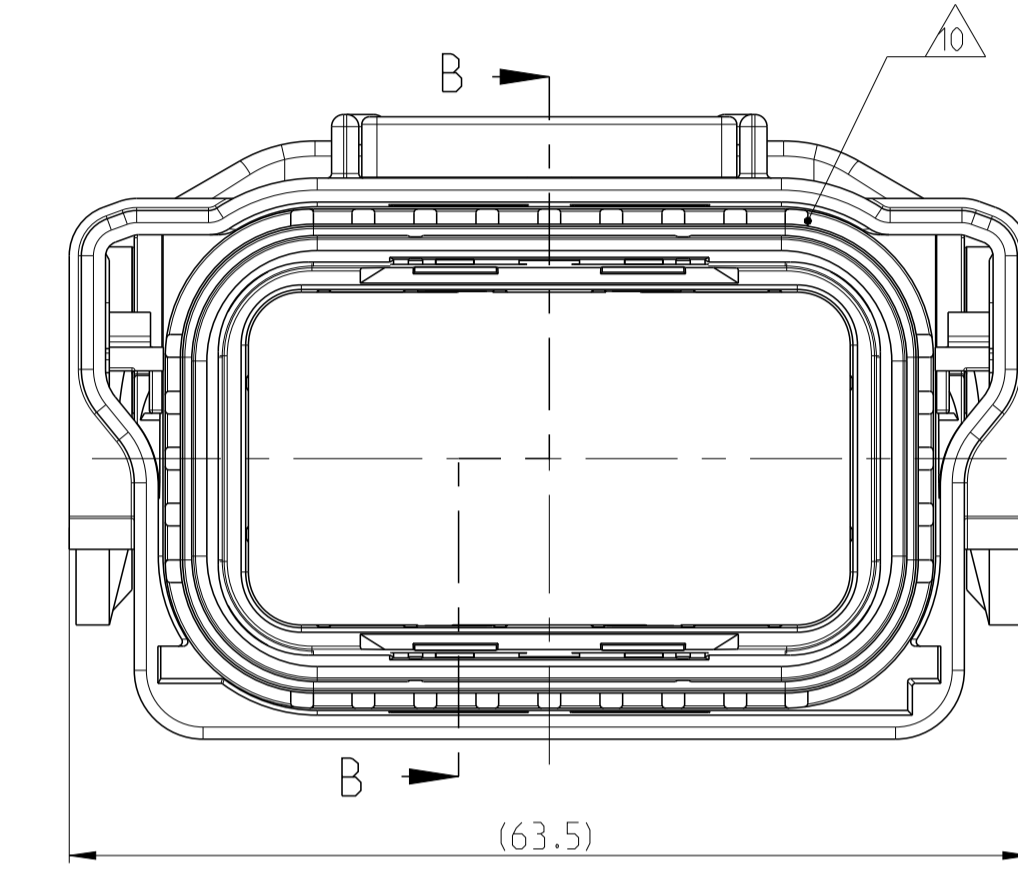


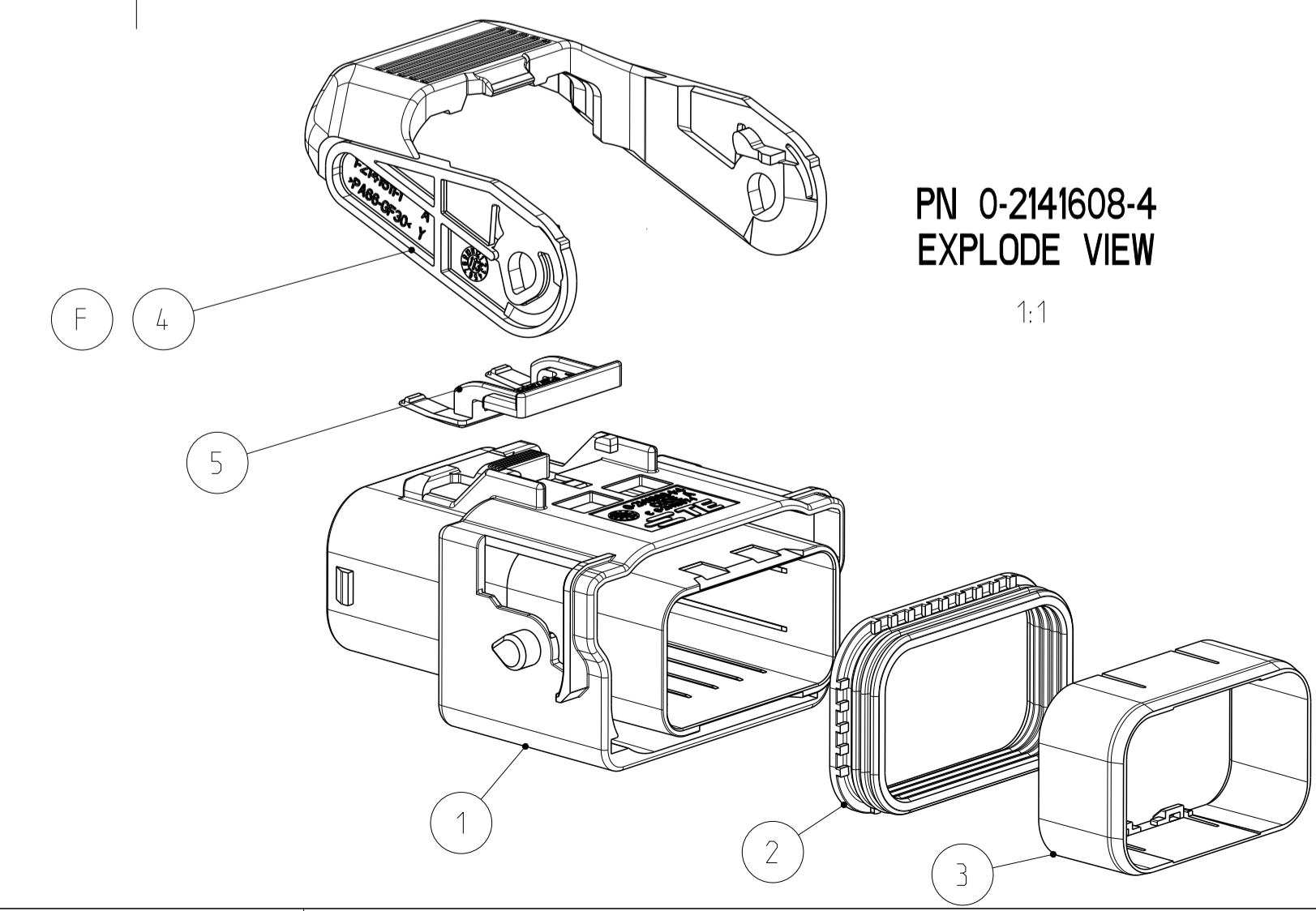
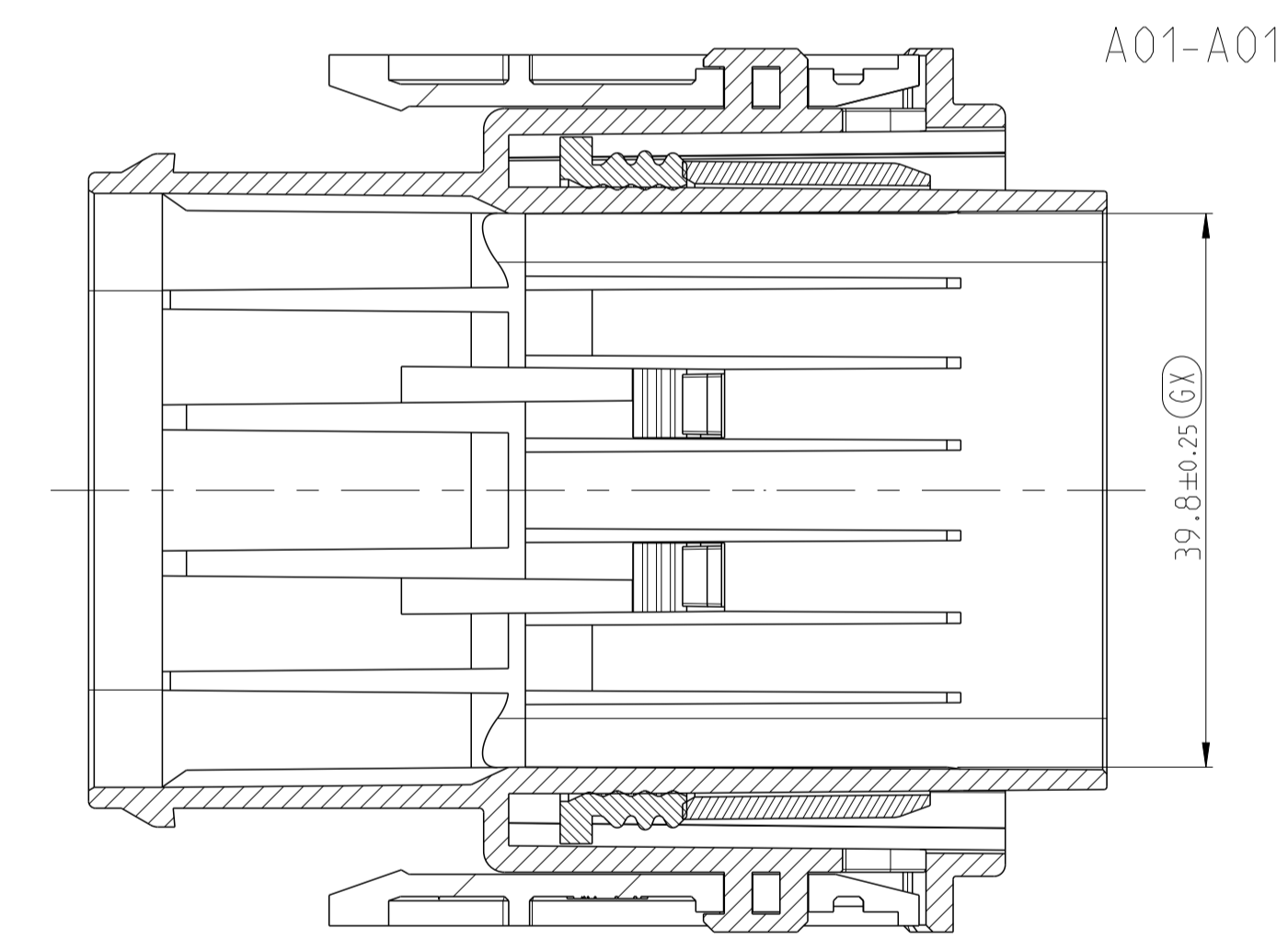
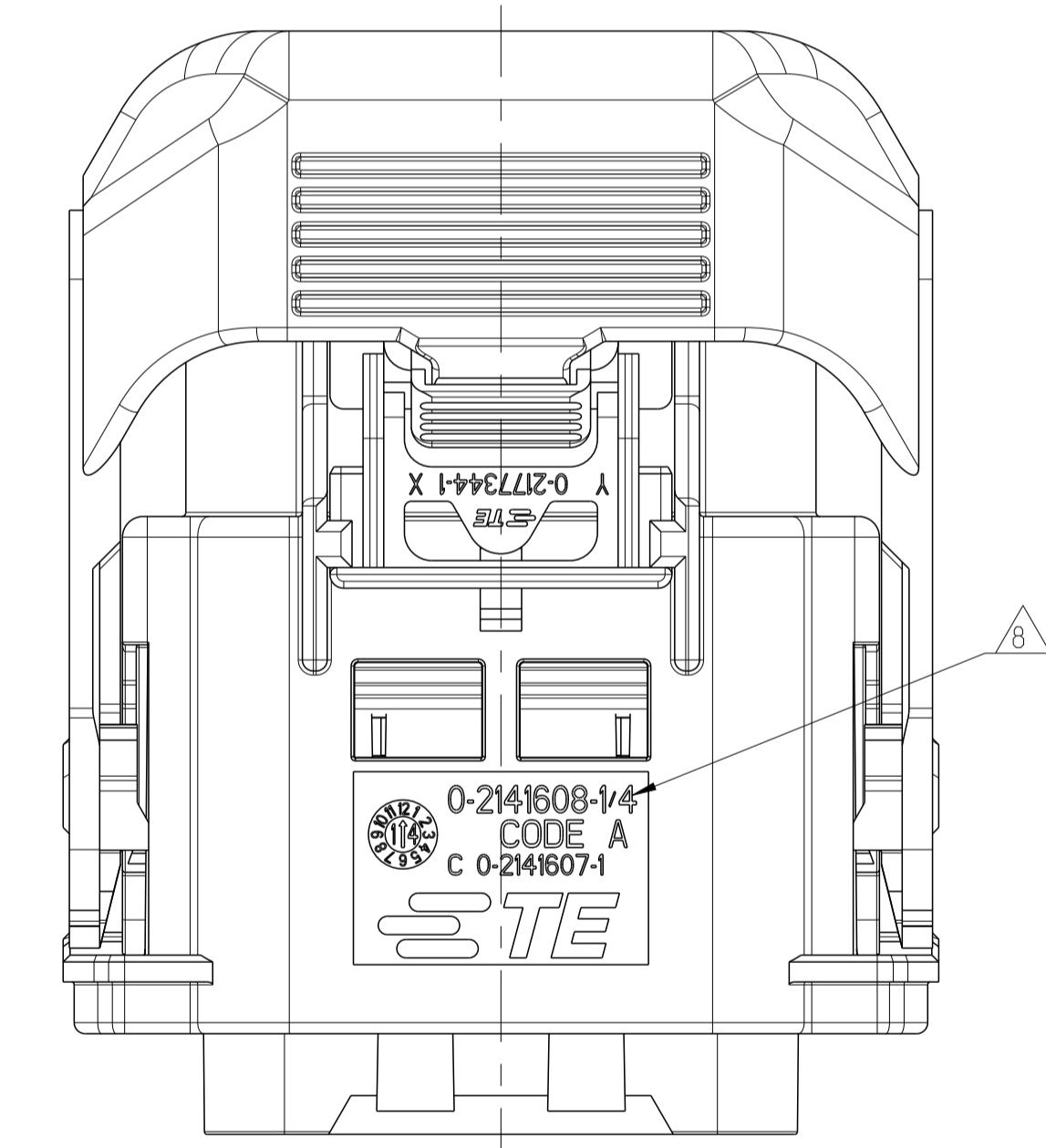
REV	LTN	DESCRIPTION	DATE	DWN	APVD
C	SEE BALLOON C		24SEP2014	MKP	FWI
D	SEE BALLOON D		03MAR2015	AHM	FWI
E	SEE BALLOON E		26NOV2015	RSC	FWI
F	SEE BALLOON F		14NOV2016	RSC	KKI

- NOTES  
 Bemerkungen
- IN CASE OF DISCREPANCIES BETWEEN GERMAN AND ENGLISH TEXT THE GERMAN TEXT IS BINDING  
 Im Falle von Unterschieden zwischen dem deutschen und dem englischen Text ist der deutsche Text verbindlich
  - LAYER PACKING WITH CORRUGATED CARDBOARD INTO CARTON ACCORDING SPEC 107-18032  
 Lageweise Verpackung mit Wellpappeinlagen in Karton gemäss Spec. 107-18032
  - DELIVERY CONDITION AS SHOWN. SECONDARY LOCK IN PRELOCK POSITION  
 PULL-OFF FORCE min.20N  
 Lieferzustand wie dargestellt. Kontaktgehäusesicherung in Vorraststellung  
 Ruckhaltekraft min. 20N
  - DELIVERY CONDITION AS SHOWN. CPA IN ENDOCK POSITION  
 Lieferzustand wie dargestellt. Positionssicherung in Endraststellung
  - DELIVERY CONDITION AS SHOWN. SEALING IN CORRECT ORIENTATION  
 Lieferzustand wie dargestellt. Dichtung in korrekter Orientierung
  - TE PART NUMBER ASSEMBLY  
 TE-Teilenummer Baugruppe
  - LEVER IN CORRECT COLOR ACCORDING TO CODING OF CONNECTOR  
 Hebelfarbe entsprechend der Steckercodierung
  - MAX. ROTATION OF SEAL AROUND CENTERLINE ±2mm  
 Max. Verdrehung der Dichtung um Steckerachse ±2mm

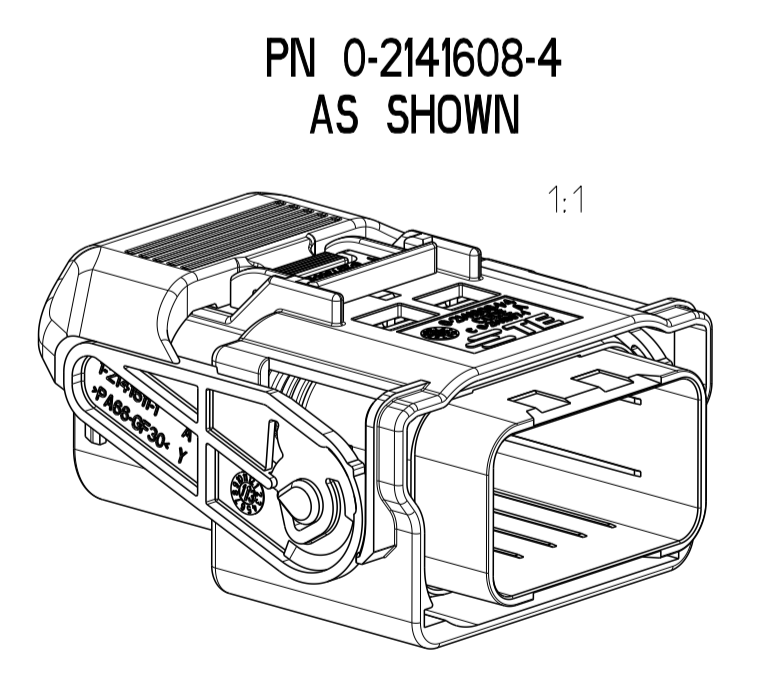
NOTE Bem.	FEATURE Merkmal	TE - No.
11	MATING PIN HEADER BY TE CONNECTIVITY Passende Stiftwanne von TE Connectivity	2141619 / 2236454
12	PRODUCT-SPEC. Produkt-Spez.	108-94235
13	APPLICATION-SPEC. Verarbeitungs-Spez.	114-94114



CODE	DESCRIPTION - ASSY	WEIGHT (g)	TE ORDER-NO.	REV	QTY	DESCRIPTION - PART	MATERIAL	MAX. REGRIND ALLOWED	COLOUR	ITEM
Z	5POS. RECEPTACLE HSG. ASSY. WITH CPA	54.98	0-2141608-6	F	1	CPA	PA6-(GF+GB)30		RED	5
					1	LEVER, 5POS schwarz / BLACK	PA66-GF30		WATER BLUE	4
					1	SECONDARY LOCK HV CONNECTOR 5 POS	PA6-(GF+GB)30		BLACK	3
					1	RADIAL SEAL HV CONNECTOR 5 POS	SILTEGN RUBBER		NATURAL	2
					1	OUTER HOUSING HV CONNECTOR 5 POS CODE Z	PA66-GF30		ORANGE	1
B	5POS. RECEPTACLE HSG. ASSY. WITH CPA	54.98	0-2141608-5	F	1	CPA	PA6-(GF+GB)30		RED	5
					1	LEVER, 5POS schwarz / BLACK	PA66-GF30		WHITE	4
					1	SECONDARY LOCK HV CONNECTOR 5 POS	PA6-(GF+GB)30		BLACK	3
					1	RADIAL SEAL HV CONNECTOR 5 POS	SILTEGN RUBBER		NATURAL	2
					1	OUTER HOUSING HV CONNECTOR 5 POS CODE B	PA66-GF30		ORANGE	1
A	5POS. RECEPTACLE HSG. ASSY. WITH CPA	54.98	0-2141608-4	F	1	CPA	PA6-(GF+GB)30	25%	RED	5
					1	LEVER, 5POS schwarz / BLACK	PA66-GF30	20%	BLACK	4
					1	SECONDARY LOCK HV CONNECTOR 5 POS	PA6-(GF+GB)30	25%	BLACK	3
					1	RADIAL SEAL HV CONNECTOR 5 POS	SILICON RUBBER	0%	NATURAL	2
					1	OUTER HOUSING HV CONNECTOR 5 POS CODE A	PA66-GF30	20%	ORANGE	1
Z	5POS. RECEPTACLE HSG. ASSY. WITHOUT CPA	54	0-2141608-3	E	1	LEVER, 5POS schwarz / BLACK	PA66-GF30		WATER BLUE	4
					1	SECONDARY LOCK HV CONNECTOR 5 POS	PA6-(GF+GB)30		BLACK	3
					1	RADIAL SEAL HV CONNECTOR 5 POS	SILICON RUBBER		NATURAL	2
					1	OUTER HOUSING HV CONNECTOR 5 POS CODE Z	PA66-GF30		ORANGE	1
B	5POS. RECEPTACLE HSG. ASSY. WITHOUT CPA	54	0-2141608-2	E	1	LEVER, 5POS schwarz / BLACK	PA66-GF30		WHITE	4
					1	SECONDARY LOCK HV CONNECTOR 5 POS	PA6-(GF+GB)30		BLACK	3
					1	RADIAL SEAL HV CONNECTOR 5 POS	SILICON RUBBER		NATURAL	2
					1	OUTER HOUSING HV CONNECTOR 5 POS CODE B	PA66-GF30		ORANGE	1
A	5POS. RECEPTACLE HSG. ASSY. WITHOUT CPA	54	0-2141608-1	E	1	LEVER, 5POS schwarz / BLACK	PA66-GF30	20%	BLACK	4
					1	SECONDARY LOCK HV CONNECTOR 5 POS	PA6-(GF+GB)30	25%	BLACK	3
					1	RADIAL SEAL HV CONNECTOR 5 POS	SILICON RUBBER	0%	NATURAL	2
					1	OUTER HOUSING HV CONNECTOR 5 POS CODE A	PA66-GF30	20%	ORANGE	1



PN 0-2141608-4  
 EXPLODE VIEW  
 1:1



DIESE ZEICHNUNG IST EIN KONTROLLIERTES DOKUMENT.  
 BEMESSUNGEN UND TOLERANZEN GEMAESS GPS (ISO STANDARDS).

THIS DRAWING IS A CONTROLLED DOCUMENT.  
 DIMENSIONING AND TOLERANCING PER GPS (ISO STANDARDS)

DWN: Sundarshan M D 26SEP2013  
 CHK: F. Wittrock 26SEP2013  
 APVD: A. Kettler 19DEC2013

NAME: OUTER HOUSING, HV CONNECTOR, 5 POS  
 Aussengehäuse, HV Stecker, 5 polig  
 AMP MCP6.3/4.8K

SIZE: A1  
 CASE CODE: -  
 DRAWING NO: C=2141608  
 RESTRICTED TO: NR-PUR

MATERIAL: -  
 DIMENSIONS: MASSENHEITEN: mm  
 TOLERANCES UNLESS OTHERWISE SPECIFIED: ALL DIMENSIONS  
 0 PLC ± DIN ISO  
 1 PLC ± 2768-mK  
 2 PLC ±  
 3 PLC ±  
 4 PLC ±  
 ANGLES/WINKEL: -  
 FINISH/OBERFLÄCHE/FARBE: -

WEIGHT: -  
 GEWICHT: -

Customer Drawing  
 /KUNDENZEICHNUNG  
 SCALE: MASSSTAB 2:1  
 SHEET: BLATT 1 OF 1  
 REV: F