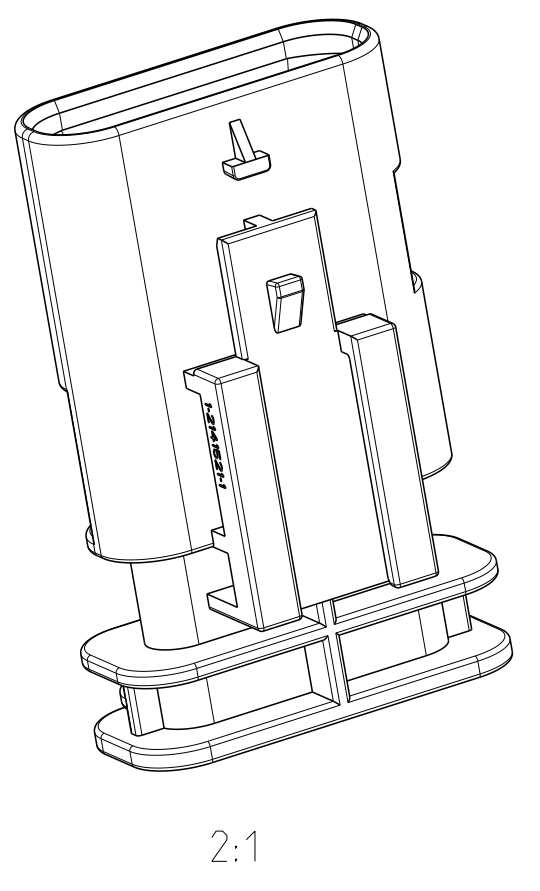
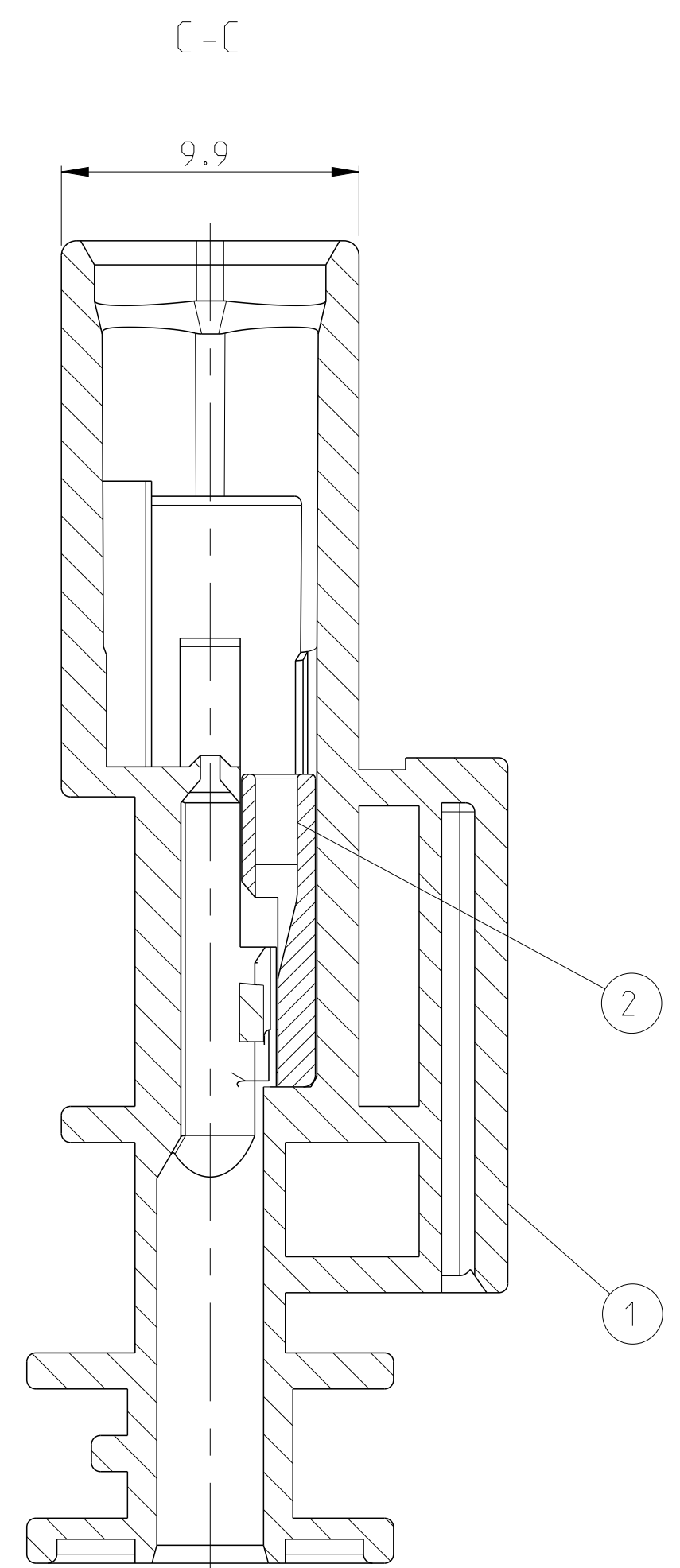
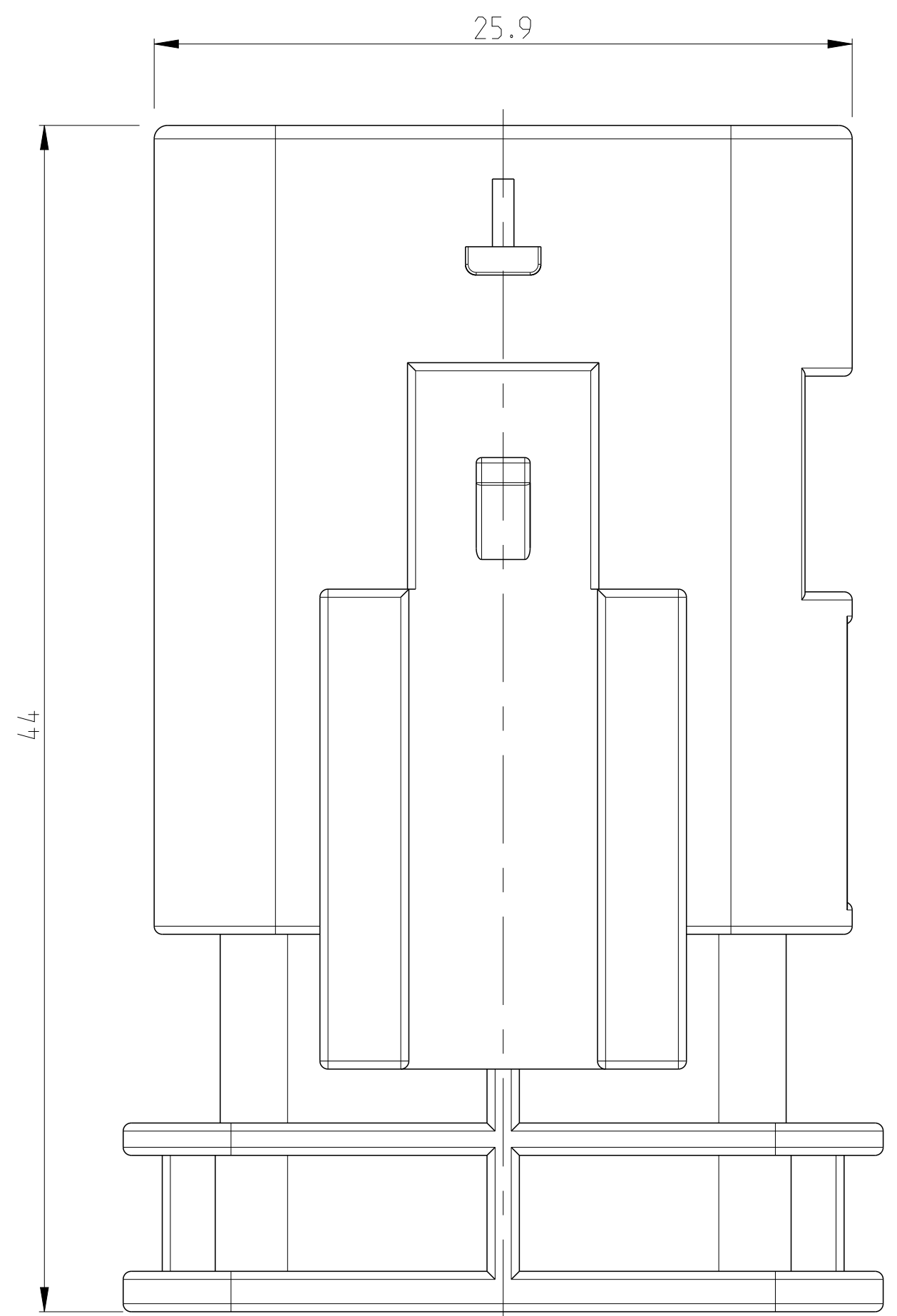
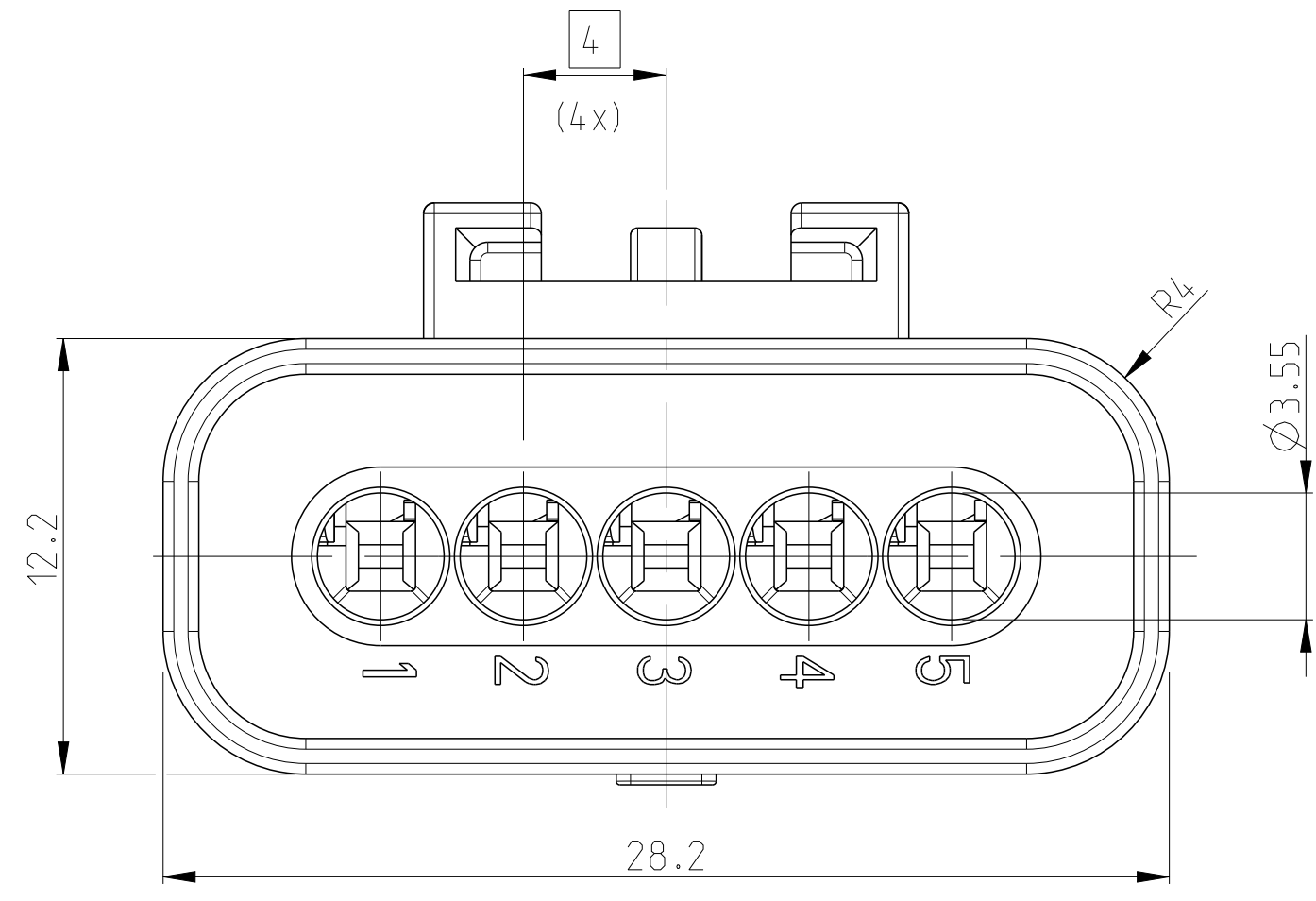
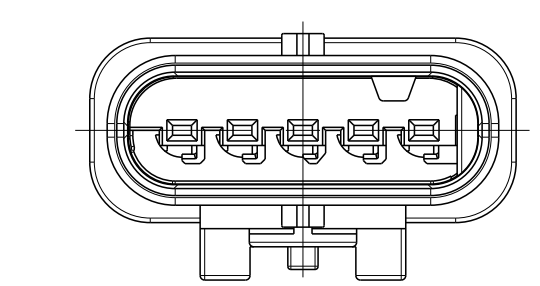


# SHOWN 1-2141520-1

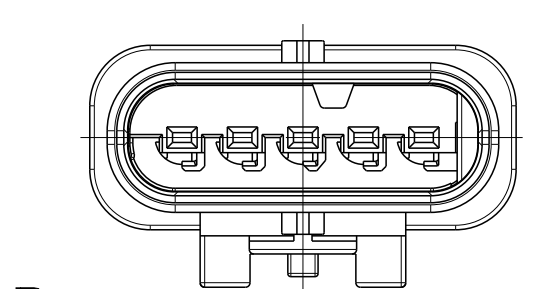


2:1

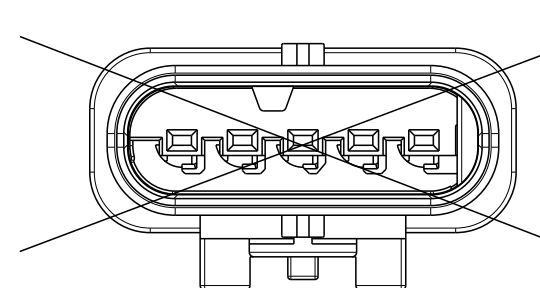
## CODINGS 2:1



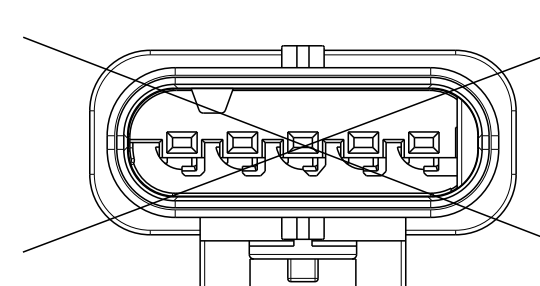
A  
1-2141520-1  
(BLACK)  
1-2141520-4  
(YELLOW)



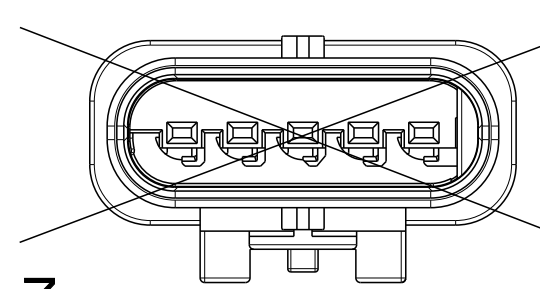
B  
2-2141520-1  
(GREY)



C  
3-2141520-1

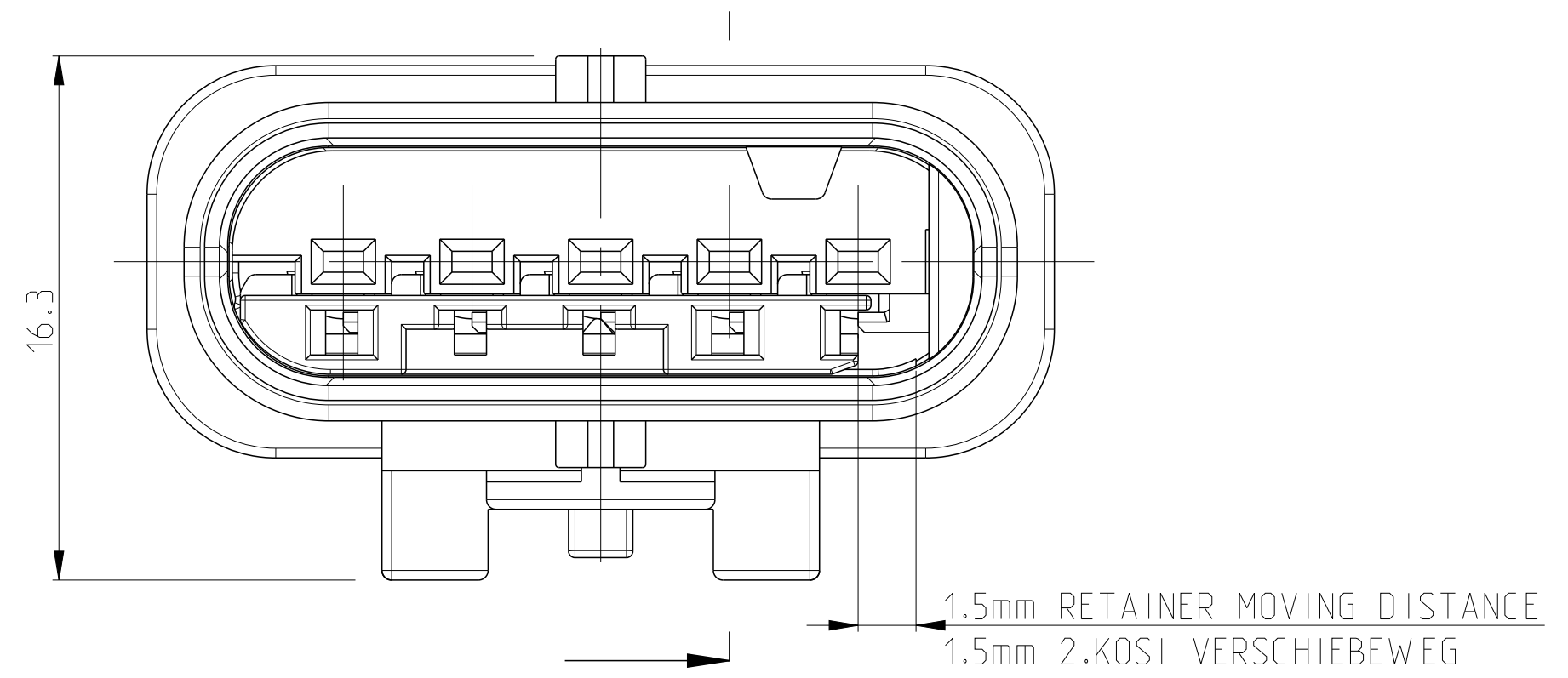


D  
4-2141520-1

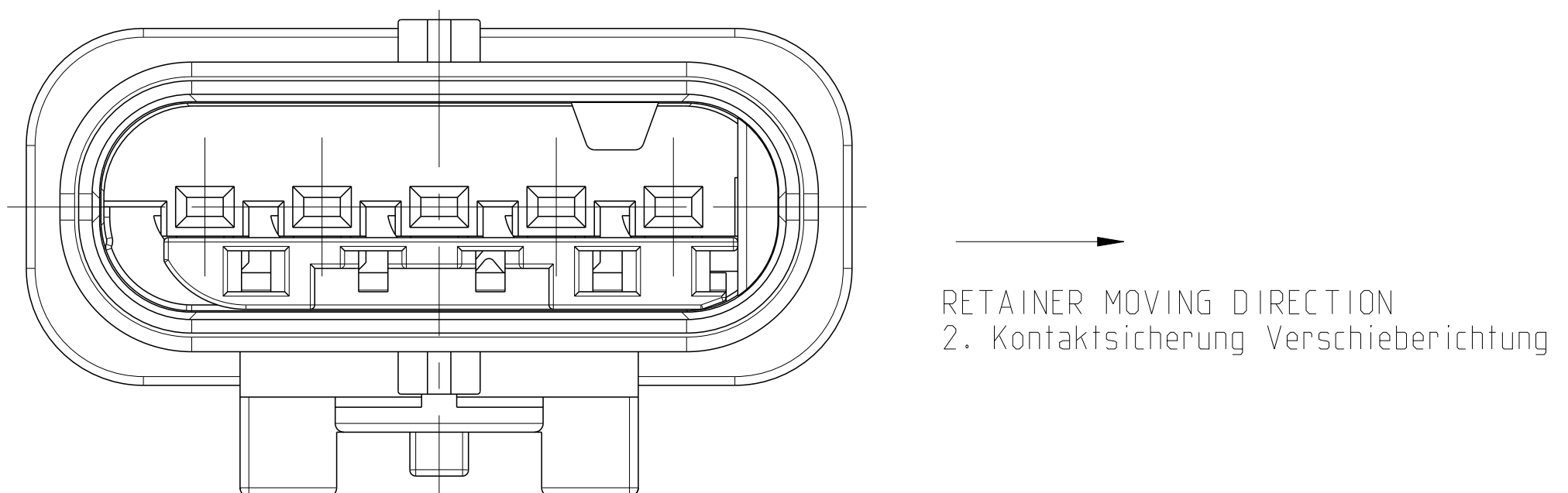


Z  
5-2141520-1

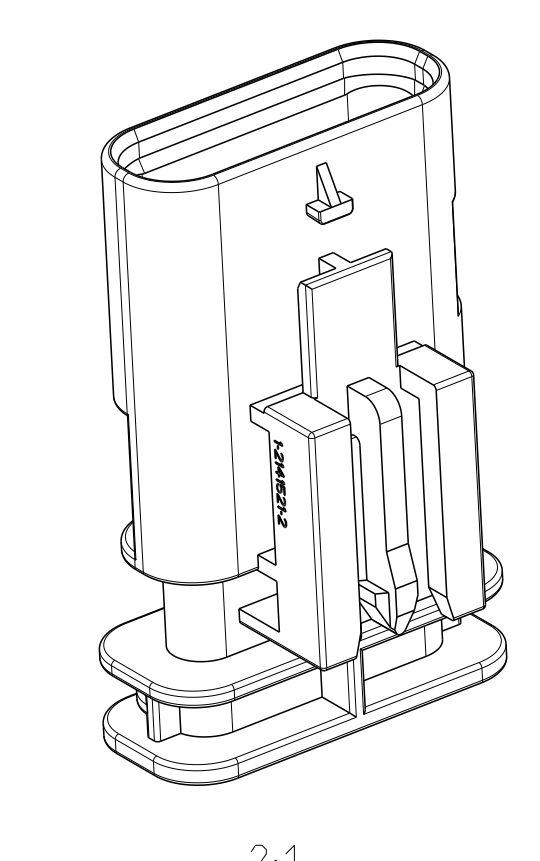
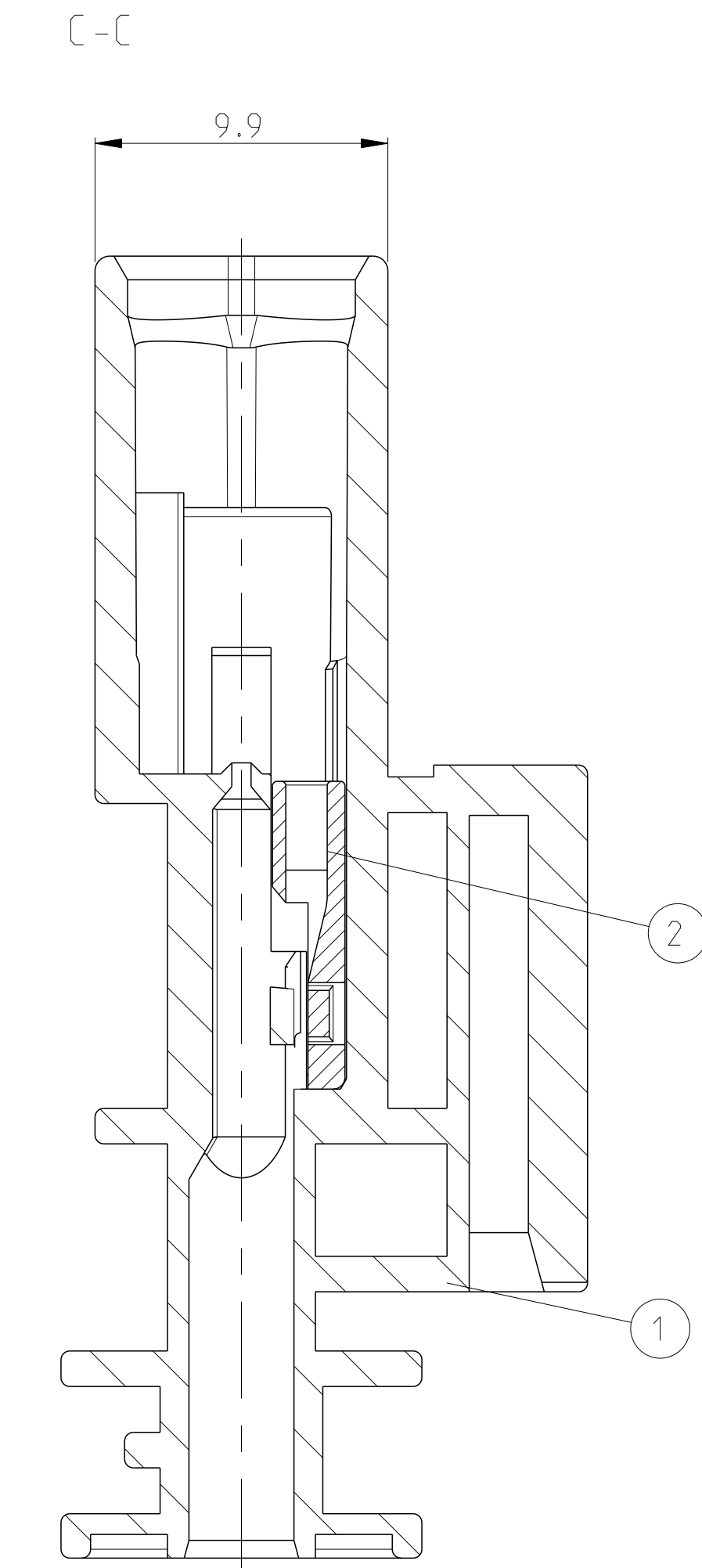
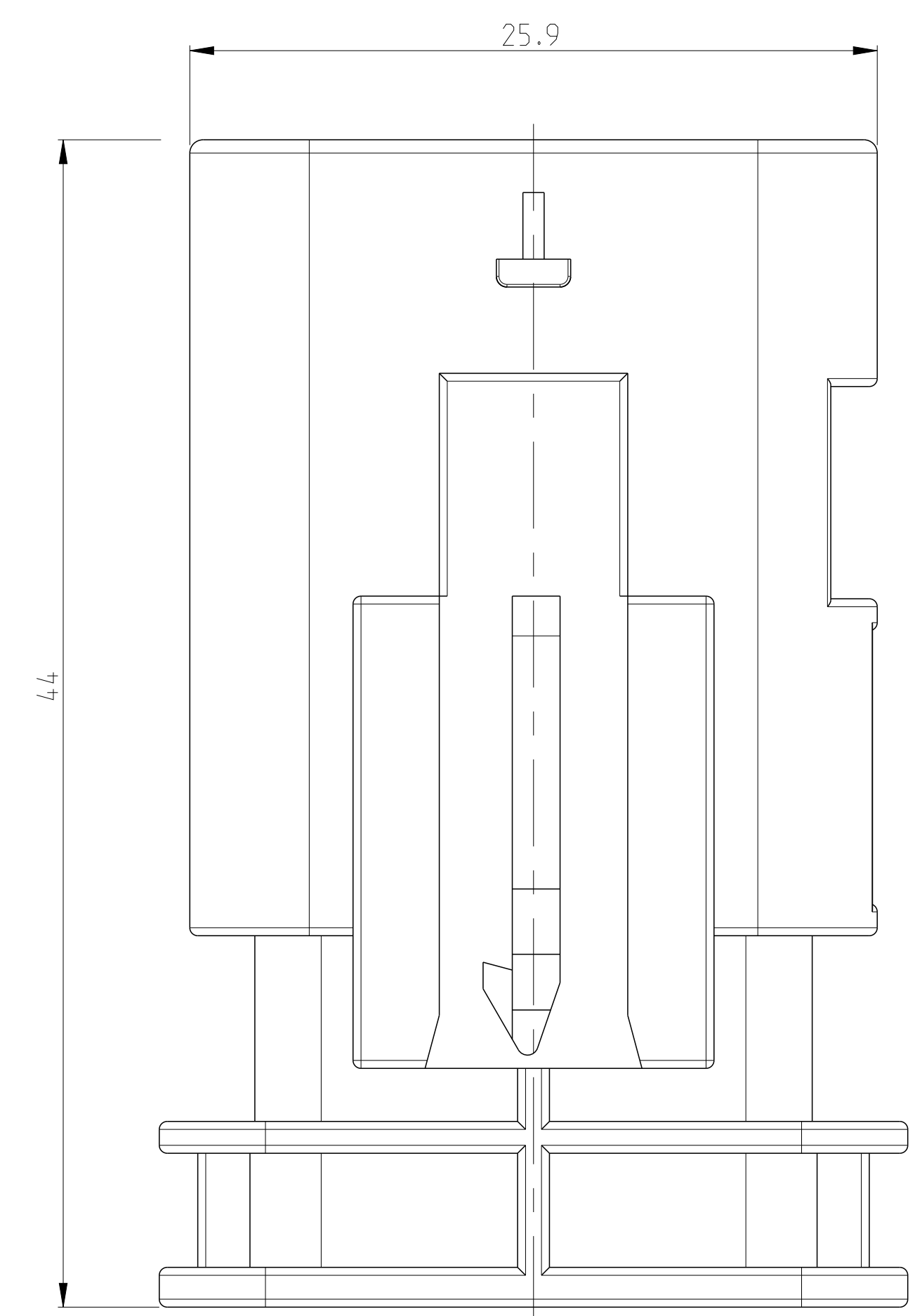
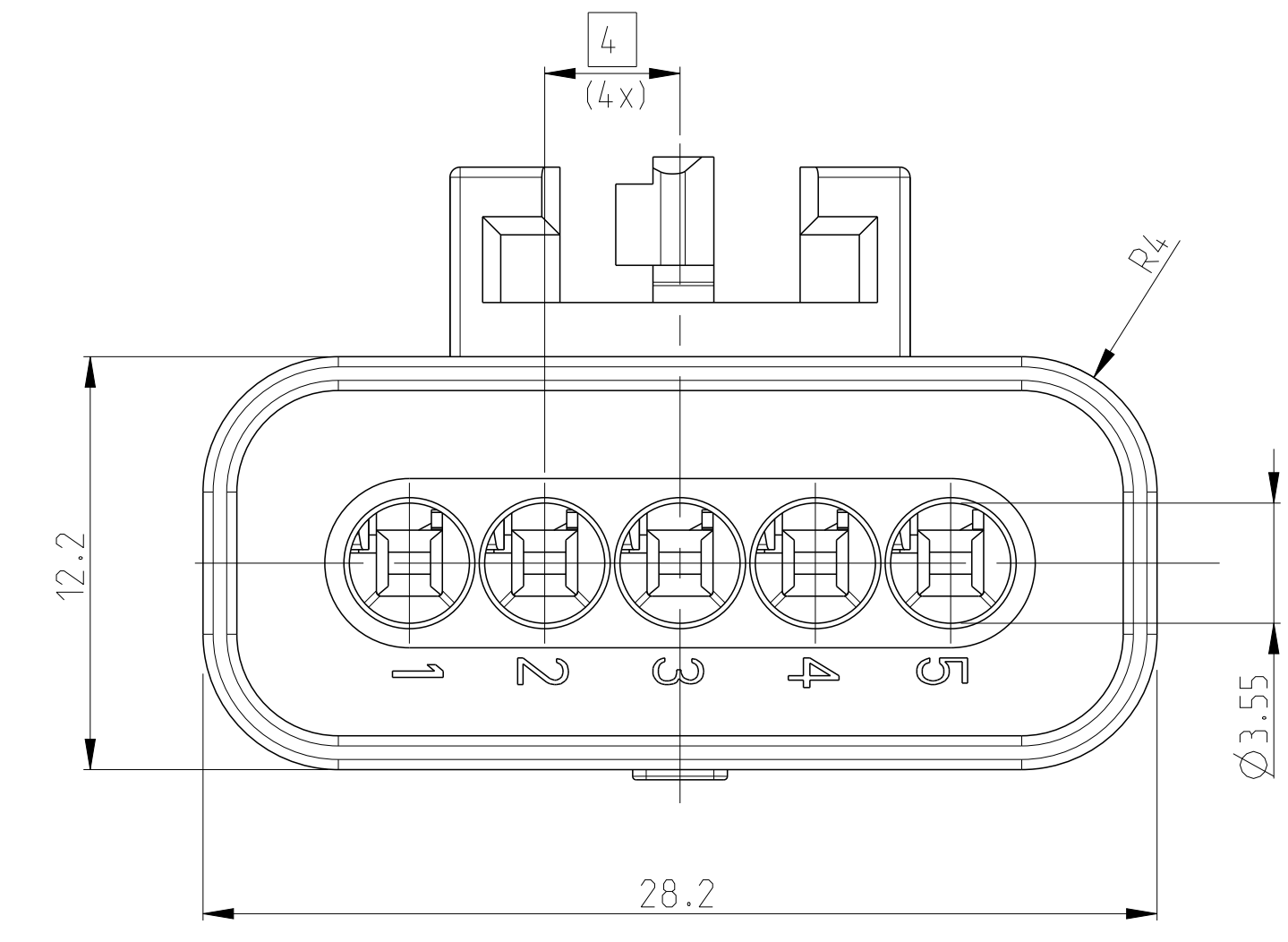
RETAINER IN PRE LOCKED POSITION  
2. Kontaktsicherung in Vorraststellung



RETAINER IN FINAL LOCKED POSITION  
2. Kontaktsicherung in Endraststellung

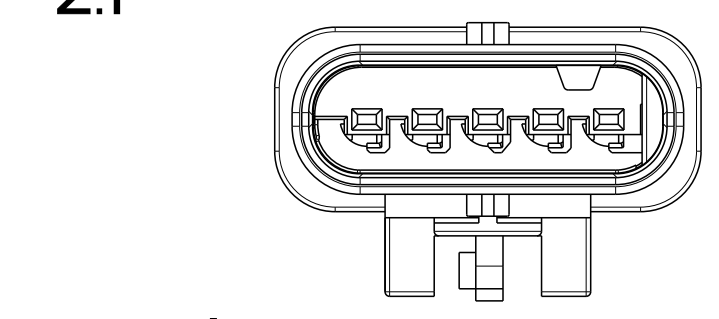


# SHOWN 1-2141520-2

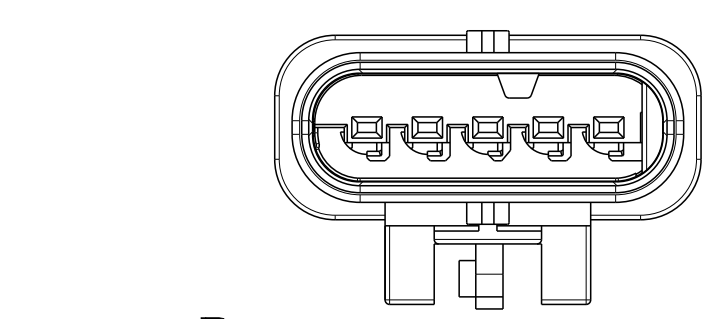


2:1

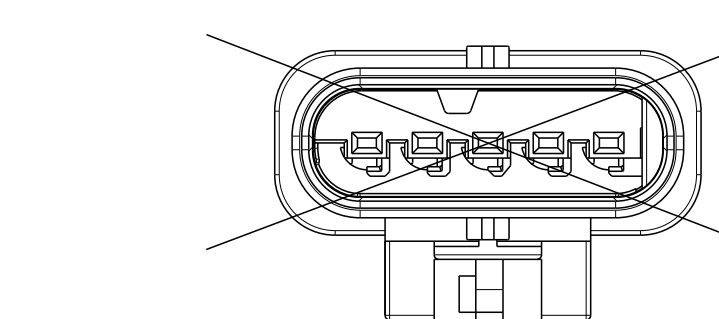
## CODINGS 2:1



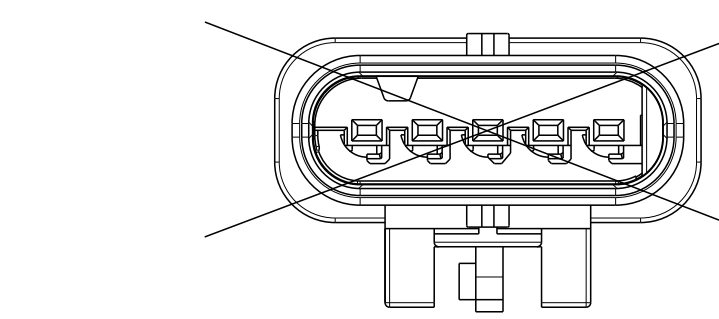
A  
1-2141520-2  
(BLACK)



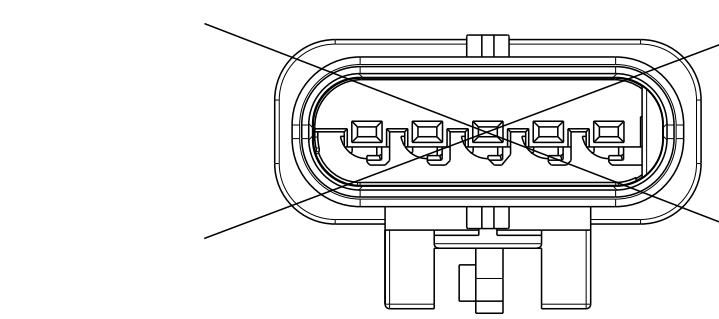
B  
2-2141520-2  
(GREY)



C  
3-2141520-2



D  
4-2141520-2



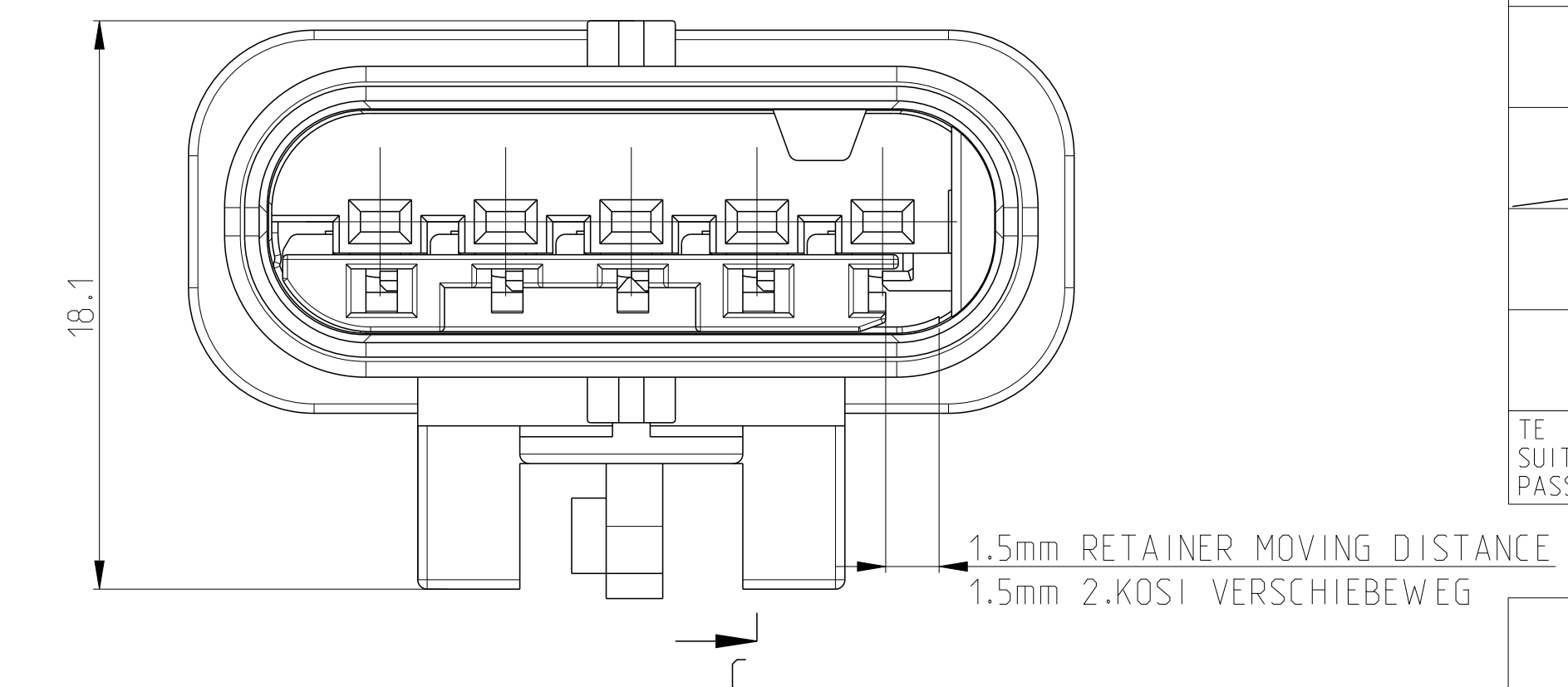
Z  
5-2141520-2

USED MCON 1.2mm LL MALE TERMINALS AND SEALS			
TE-PN. TERMINALS	WIRE RANGE	TE-PN. SINGLE WIRE SEAL	TE-PN. BLIND PLUG
2141868	0.08 - 0.22mm <sup>2</sup>	967067-2	
1718758	0.25 - 0.35mm <sup>2</sup>	967067-2	967056-1
1718760	0.5 - 0.75mm <sup>2</sup>	967067-1	
1718762	1mm <sup>2</sup>	967067-1	

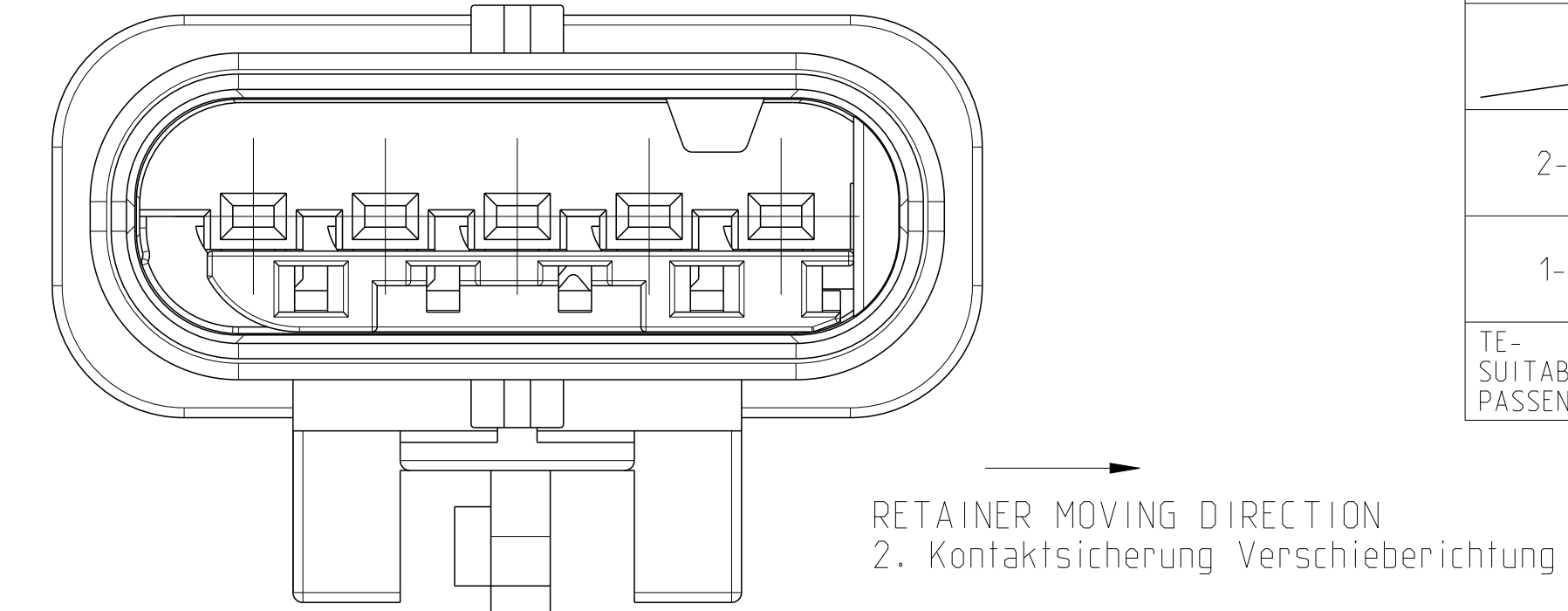
TERMINAL RE-APPLICATION SPEC.: 114-18464

### REGIRD MAX. 25%

RETAINER IN PRE LOCKED POSITION  
2. Kontaktsicherung in Vorraststellung



RETAINER IN FINAL LOCKED POSITION  
2. Kontaktsicherung in Endraststellung



TE-SUITABLE FEMALE HSG. PASSENDE BUCHSENGH.	TE-BESTELL-NR. ORDER-NO.	ASSY REV. CODE	BENENNUNG TITLE	QTY	BENENNUNG EINZELTEIL TITLE	WERKSTOFF MATERIAL	OBERFLAECHE/FARBE SURFACE/COLOUR	POS. ITEM
-	5-2141520-2	A	Z Stiftgehäuse Spol. MALE HOUSING SPOS.	1	Kontaktsicherung RETAINER	PA66-GF35	violett/VIOLETT	2
-	4-2141520-2	A	D Stiftgehäuse Spol. MALE HOUSING SPOS.	1	Kontaktsicherung RETAINER	PBT-GF30	gelb/YELLOW	1a
-	3-2141520-2	A	C Stiftgehäuse Spol. MALE HOUSING SPOS.	1	Kontaktsicherung RETAINER	PA66-GF35	violett/VIOLETT	2
1670921	2-2141520-2	A	B Stiftgehäuse Spol. MALE HOUSING SPOS.	1	Kontaktsicherung RETAINER	PBT-GF30	schwarz/BLACK	1d
1670921	1-2141520-2	A	A Stiftgehäuse Spol. MALE HOUSING SPOS.	1	Kontaktsicherung RETAINER	PA66-GF35	violett/VIOLETT	2
1-2141524-4	1-2141520-4	A	A Stiftgehäuse Spol. MALE HOUSING SPOS.	1	Kontaktsicherung RETAINER	PA66-GF35	violett/VIOLETT	2
-	5-2141520-1	A	Z Stiftgehäuse Spol. MALE HOUSING SPOS.	1	Kontaktsicherung RETAINER	PBT-GF30	schwarz/BLACK	1z
-	4-2141520-1	A	D Stiftgehäuse Spol. MALE HOUSING SPOS.	1	Kontaktsicherung RETAINER	PA66-GF35	violett/VIOLETT	2
-	3-2141520-1	A	C Stiftgehäuse Spol. MALE HOUSING SPOS.	1	Kontaktsicherung RETAINER	PA66-GF35	violett/VIOLETT	2
2-1670921-1	2-2141520-1	A	B Stiftgehäuse Spol. MALE HOUSING SPOS.	1	Kontaktsicherung RETAINER	PA66-GF35	violett/VIOLETT	2
1-1670921-1	1-2141520-1	A	A Stiftgehäuse Spol. MALE HOUSING SPOS.	1	Kontaktsicherung RETAINER	PA66-GF35	violett/VIOLETT	2

THIS DRAWING IS A CONTROLLED DOCUMENT. DATE: 16DEC2010. BY: T. Trajko. CH: H. Rüdiger. 17DEC2010.

DIMENSIONS: DIM: 0 PLC 00.5, 1 PLC 00.5, 2 PLC 00.5, 3 PLC 00.5, 4 PLC 00.5, 5 PLC 00.5, 6 PLC 00.5, 7 PLC 00.5, 8 PLC 00.5, 9 PLC 00.5, 10 PLC 00.5, 11 PLC 00.5, 12 PLC 00.5, 13 PLC 00.5, 14 PLC 00.5, 15 PLC 00.5, 16 PLC 00.5, 17 PLC 00.5, 18 PLC 00.5, 19 PLC 00.5, 20 PLC 00.5, 21 PLC 00.5, 22 PLC 00.5, 23 PLC 00.5, 24 PLC 00.5, 25 PLC 00.5, 26 PLC 00.5, 27 PLC 00.5, 28 PLC 00.5, 29 PLC 00.5, 30 PLC 00.5, 31 PLC 00.5, 32 PLC 00.5, 33 PLC 00.5, 34 PLC 00.5, 35 PLC 00.5, 36 PLC 00.5, 37 PLC 00.5, 38 PLC 00.5, 39 PLC 00.5, 40 PLC 00.5, 41 PLC 00.5, 42 PLC 00.5, 43 PLC 00.5, 44 PLC 00.5, 45 PLC 00.5, 46 PLC 00.5, 47 PLC 00.5, 48 PLC 00.5, 49 PLC 00.5, 50 PLC 00.5, 51 PLC 00.5, 52 PLC 00.5, 53 PLC 00.5, 54 PLC 00.5, 55 PLC 00.5, 56 PLC 00.5, 57 PLC 00.5, 58 PLC 00.5, 59 PLC 00.5, 60 PLC 00.5, 61 PLC 00.5, 62 PLC 00.5, 63 PLC 00.5, 64 PLC 00.5, 65 PLC 00.5, 66 PLC 00.5, 67 PLC 00.5, 68 PLC 00.5, 69 PLC 00.5, 70 PLC 00.5, 71 PLC 00.5, 72 PLC 00.5, 73 PLC 00.5, 74 PLC 00.5, 75 PLC 00.5, 76 PLC 00.5, 77 PLC 00.5, 78 PLC 00.5, 79 PLC 00.5, 80 PLC 00.5, 81 PLC 00.5, 82 PLC 00.5, 83 PLC 00.5, 84 PLC 00.5, 85 PLC 00.5, 86 PLC 00.5, 87 PLC 00.5, 88 PLC 00.5, 89 PLC 00.5, 90 PLC 00.5, 91 PLC 00.5, 92 PLC 00.5, 93 PLC 00.5, 94 PLC 00.5, 95 PLC 00.5, 96 PLC 00.5, 97 PLC 00.5, 98 PLC 00.5, 99 PLC 00.5, 100 PLC 00.5.

MATERIAL: FINISH: WEIGHT: 7.4 g. CUSTOMER DRAWING: SCALE: 5:1. SHEET: 4 of 1. REV: A2.

STE TE Connectivity  
 MALE HSG. SPOS. MCON 1.2mm LL SEALED  
 Stiftgeh. Spol. MCON 1.2mm LL gedichtet