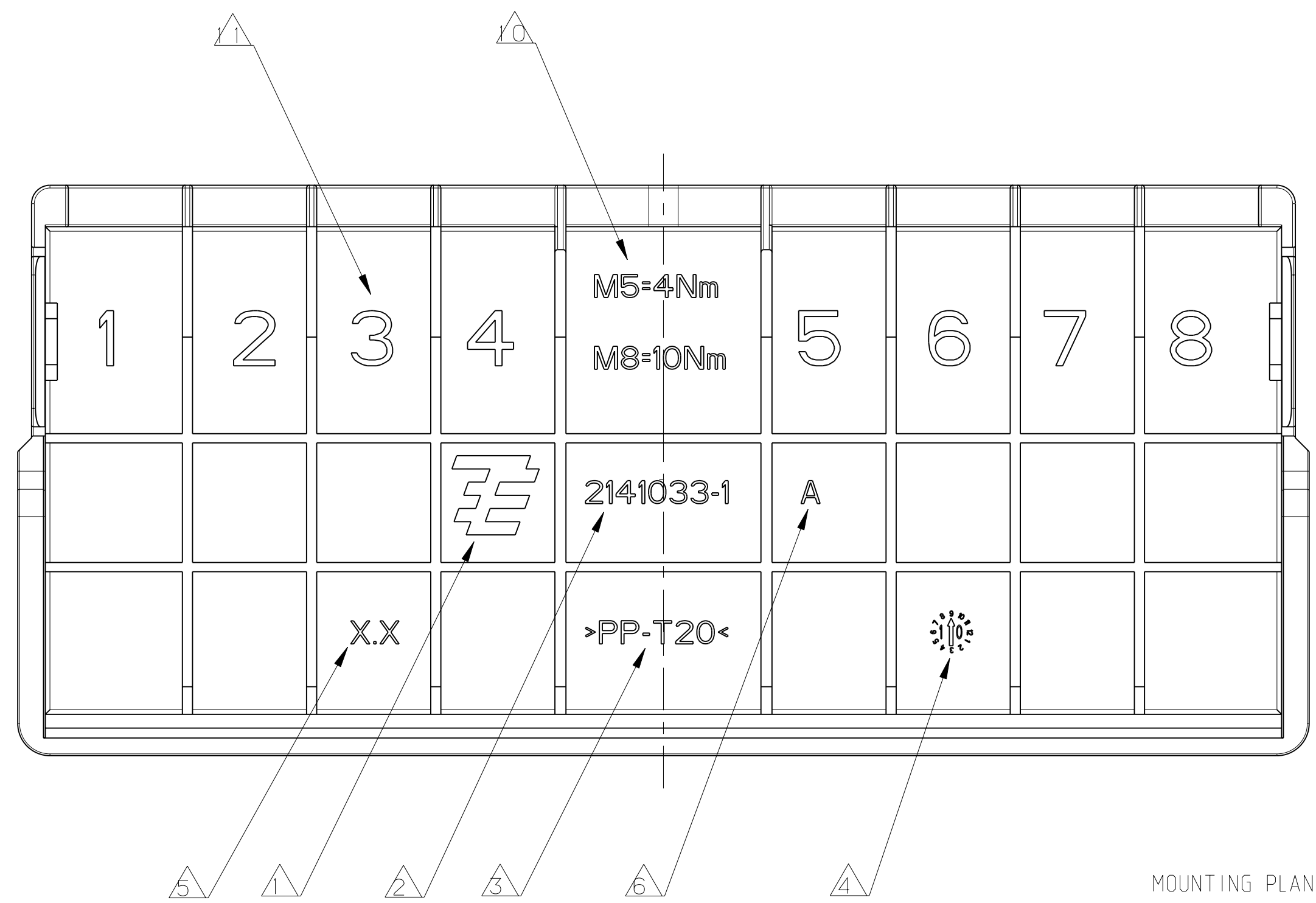
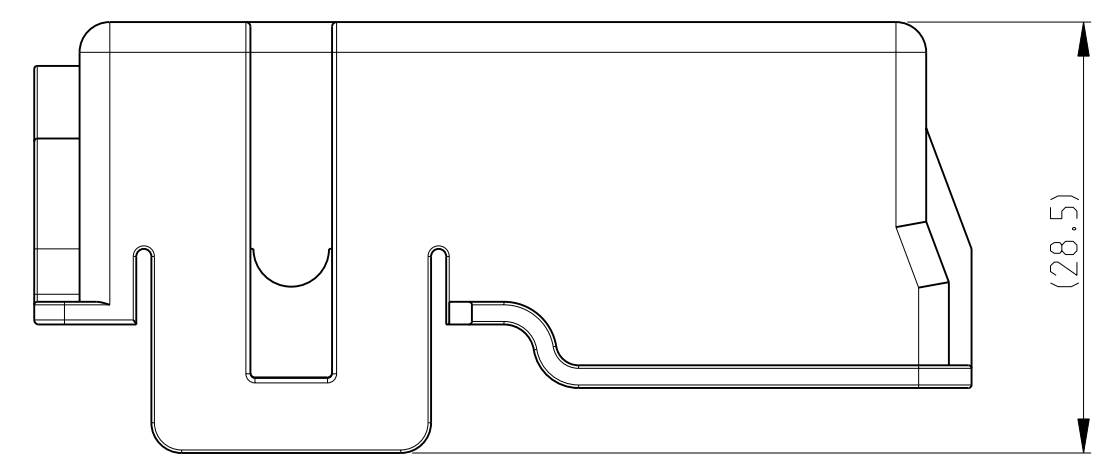
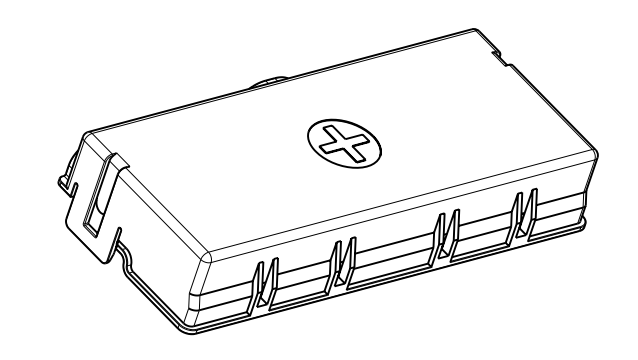
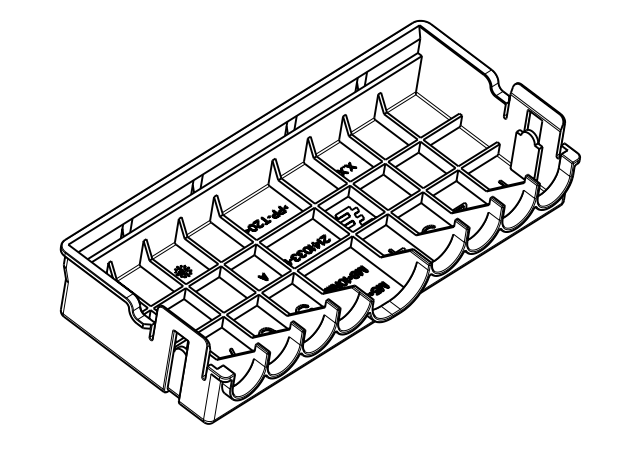


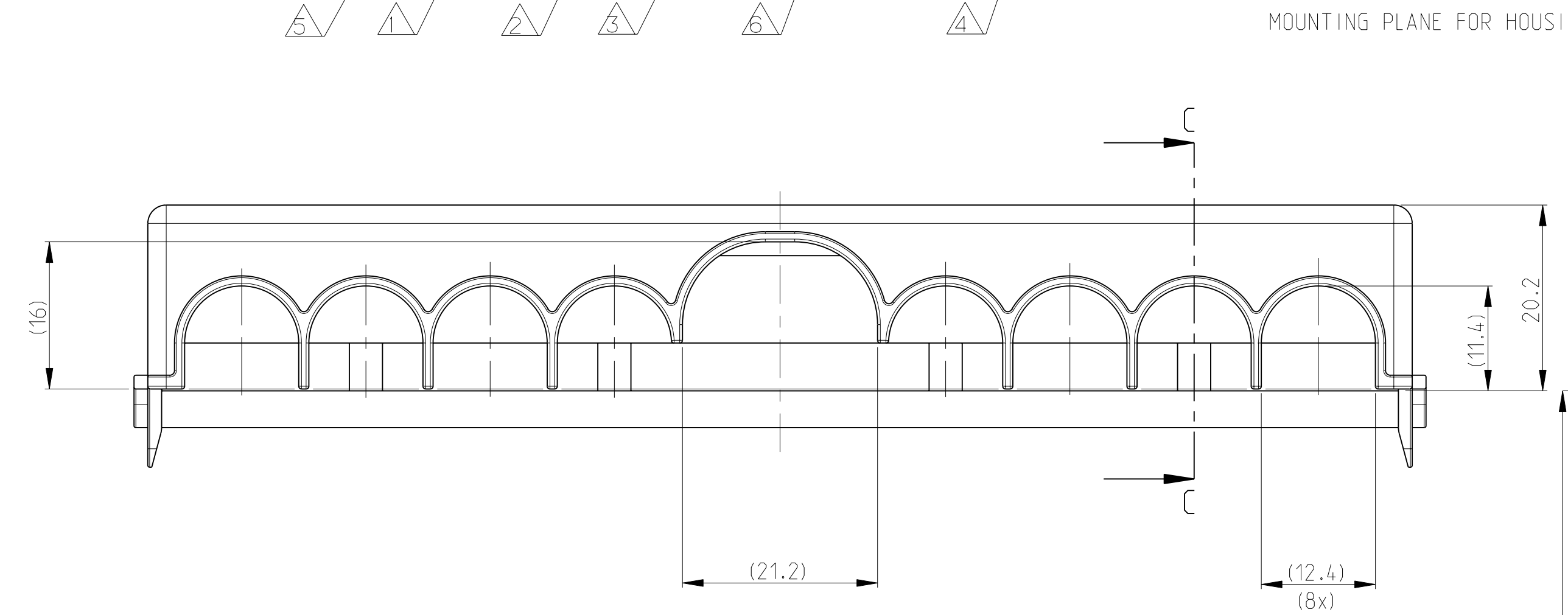
LOC	DIST	REV	DATE	BY	APPV
A1	-	A	13SEP2010	Neu.	-



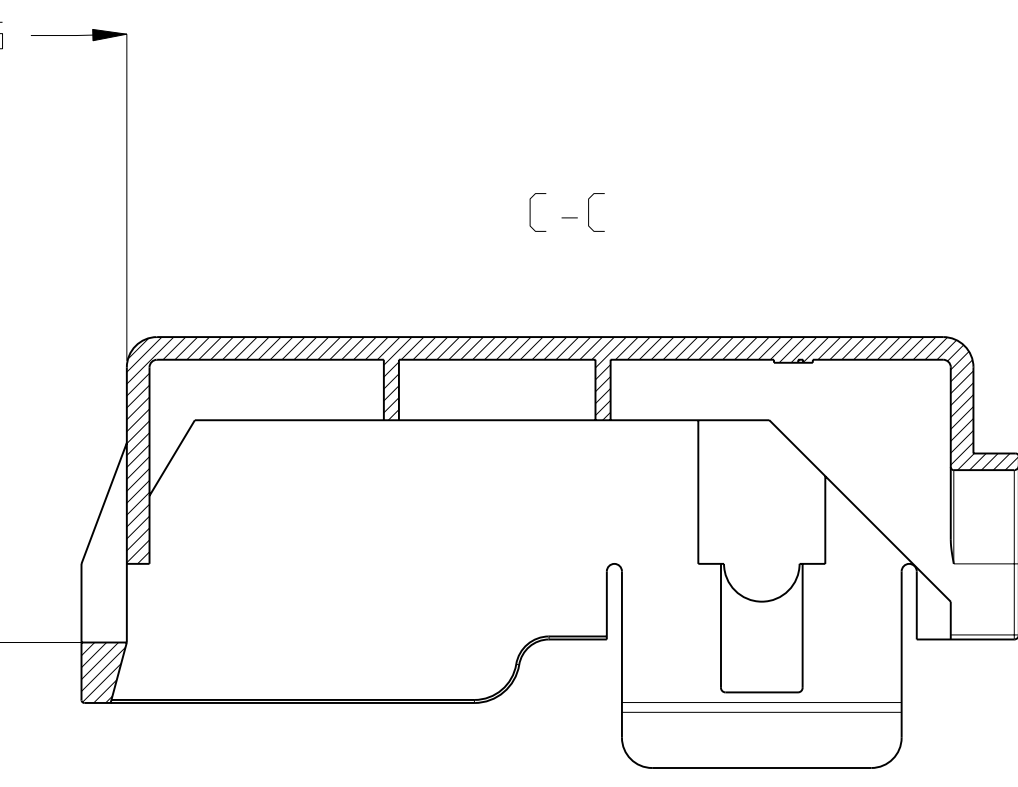
1:2 DELIVERY POSITION



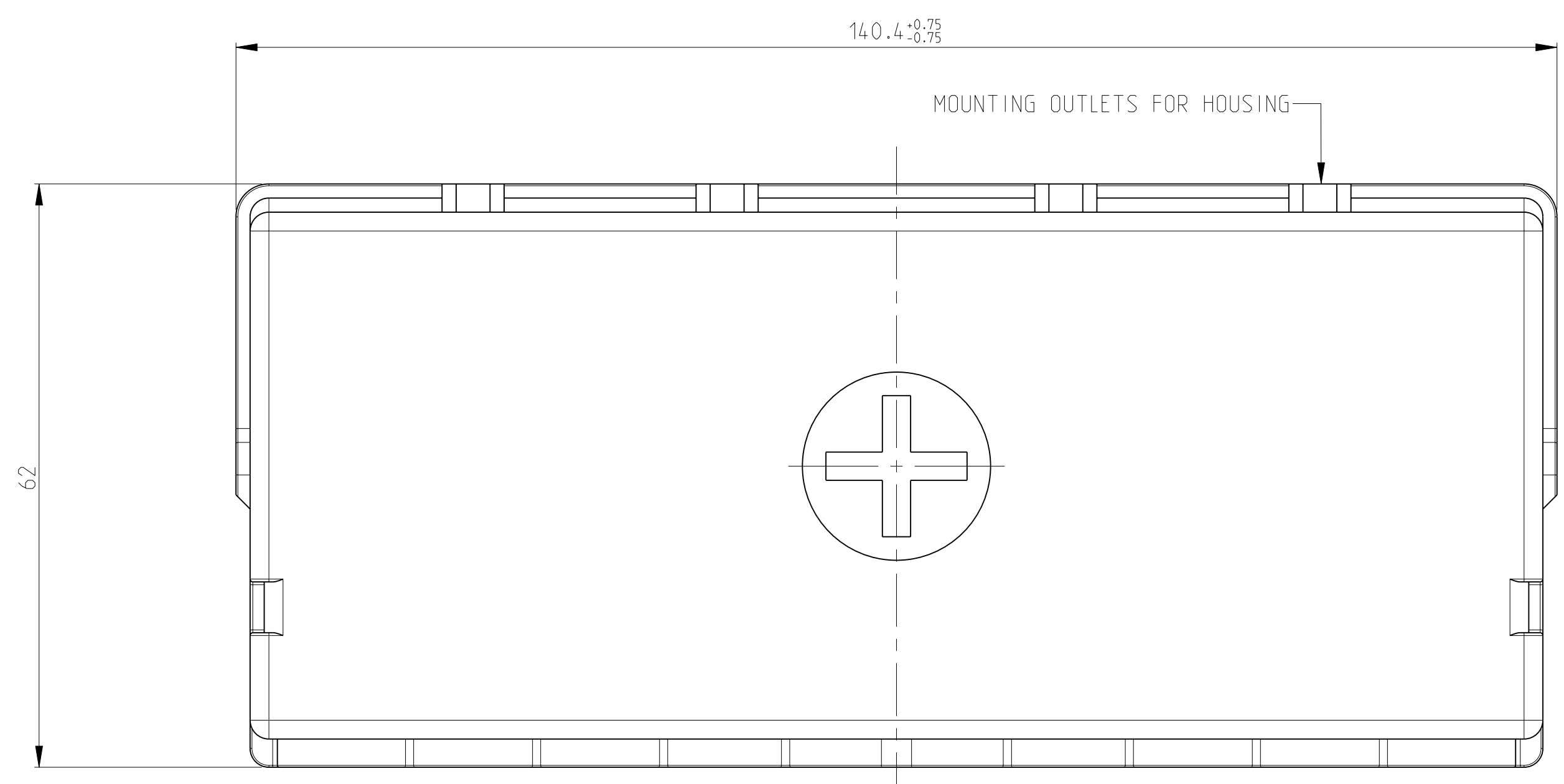
MOUNTING CLIP FOR HOUSING



MOUNTING PLANE FOR HOUSING



MOUNTING PLANE FOR HOUSING



MOUNTING OUTLETS FOR HOUSING

NOTES

- 1 TE LOGO
- 2 TE ORDER NUMBER
- 3 MATERIAL MARKING
- 4 PRODUCTION DATE
- 5 TOOL CAVITY MARKING
- 6 REVISION NUMBER
- 7 PACKAGING: BULK MATERIAL IN CARD BOARD BOX
- 8 PARTS ARE TO BE FREE OF SCRATCHES, DISCOLORATION, SALT RESIDUE OR OTHER IMPERFECTIONS THAT MAY AFFECT FUNCTION OR FIT OF PART
- 9 OVER VIEW PRODUCT GROUP SEE : 114-94092
- 10 TORQUE MARKING FOR EYELET
- 11 SLOT MARKING

TE PART NO.	REV	WEIGHT [g]	DESCRIPTION	MATERIAL	COLOR SURFACE	ITEM NO
2141033-1	A	27.61	COVER	PP-T20	BLACK	1

USED WITH:

TEMPERATURE CLASS: -40 TO 85 °C

VIBRATION CLASS: 1. ON BODY OR CHASSIS

ONLY BASIC DATA FOR DETAIL SEE PRODUCT SPEC

THIS DRAWING IS A CONTROLLED DOCUMENT.

DIMENSIONS: mm	TOLERANCES UNLESS OTHERWISE SPECIFIED:	9 PLC ±0.5	1 PLC ±0.5	2 PLC ±0.5	3 PLC ±	4 PLC ±	ANGLES ±	FINISH
----------------	--	------------	------------	------------	---------	---------	----------	--------

MATERIAL: SEE TABLE

TE Connectivity

COVER PRE-FUSE MODULE SF 30

SCALE: 2:1 SHEET 1 OF 1 REV A