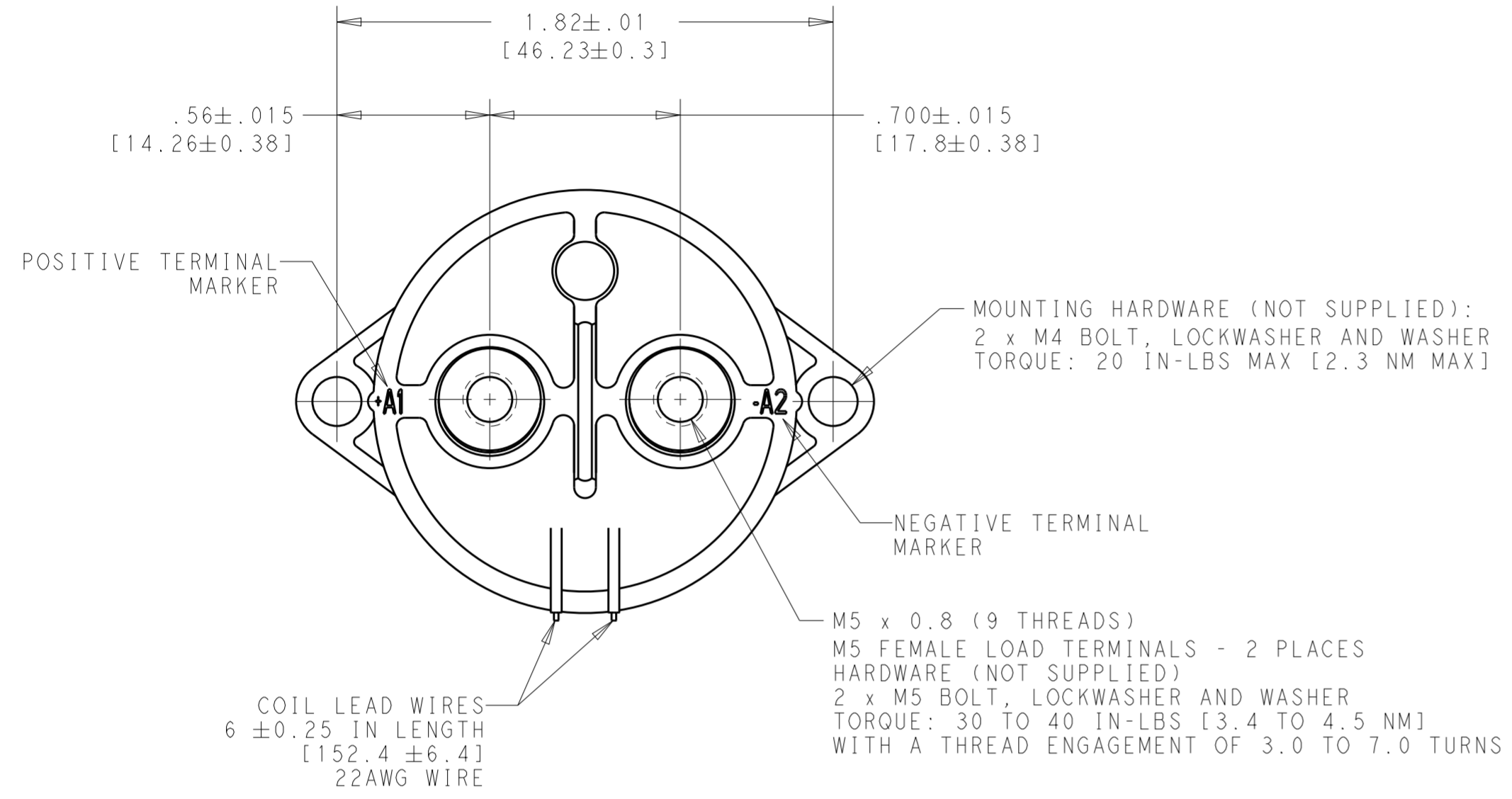


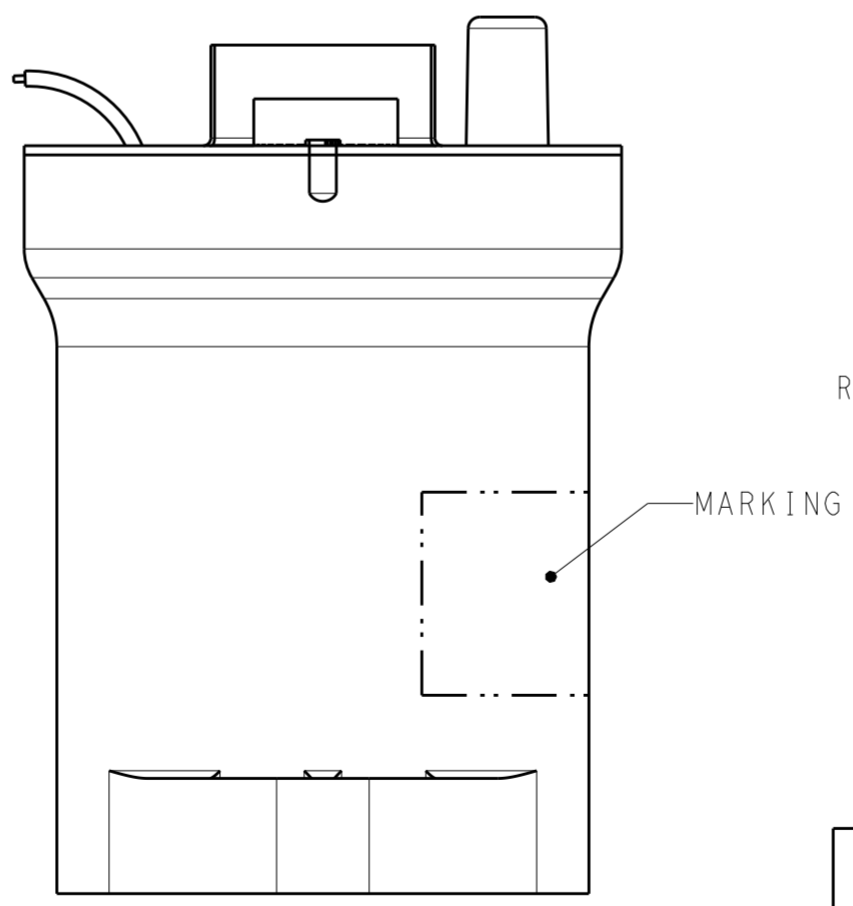
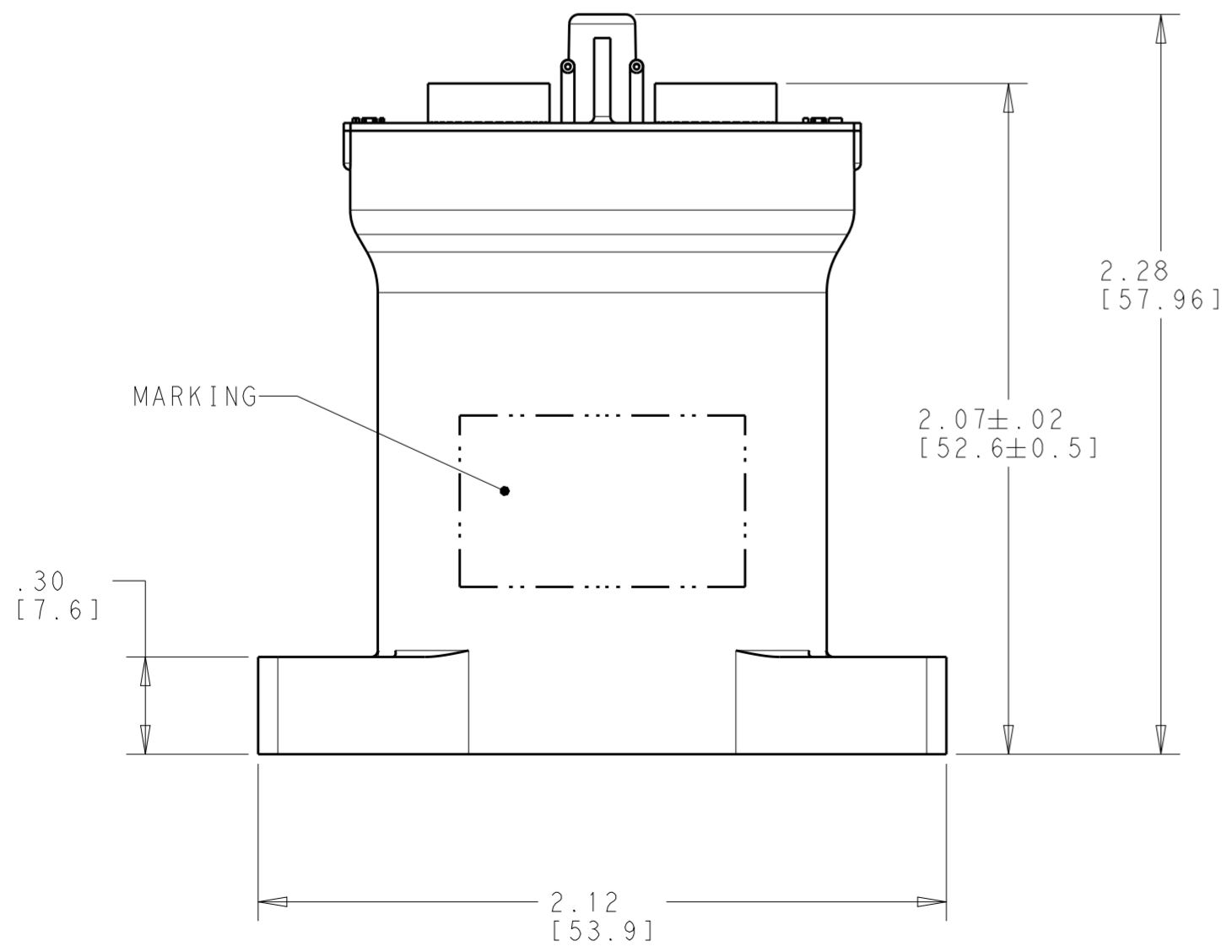
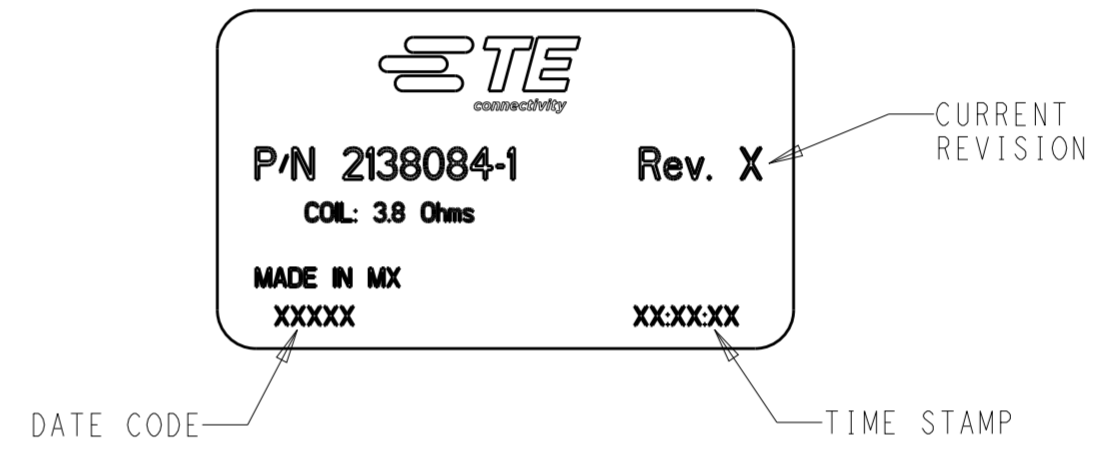
THIS DRAWING IS UNPUBLISHED. RELEASED FOR PUBLICATION 20
 © COPYRIGHT 20 BY - ALL RIGHTS RESERVED.

REVISIONS					
P	LTR	DESCRIPTION	DATE	DWN	APVD
B		REVISED PER ECO-13-010454	28JUN2013	DD	TB
B1		REVISED PER ECO-14-002343	18FEB2014	DD	TB

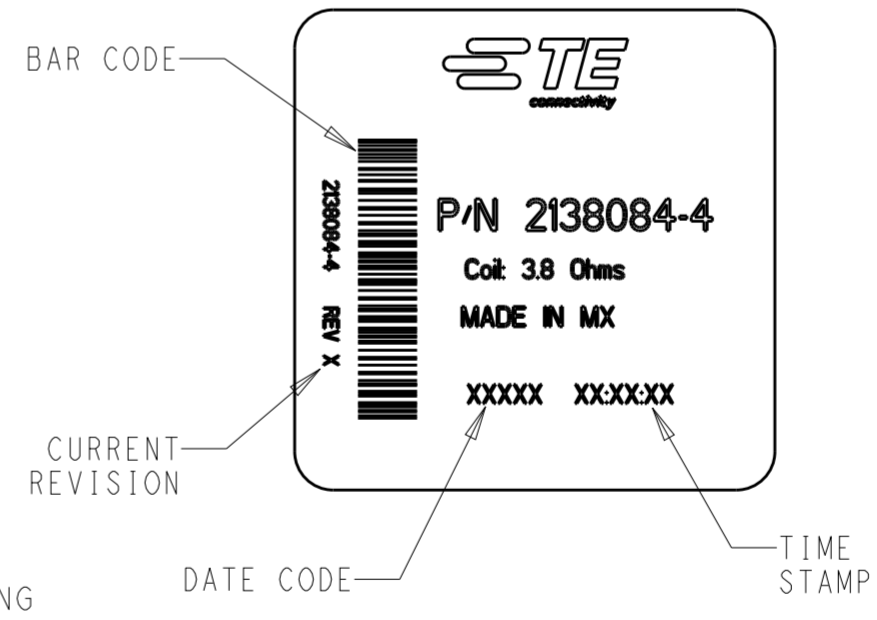


- 8.4mm² conductor. Current rating depends upon conductor size. Keep terminals below 150°C maximum continuous.
 - 3 minutes @ +40°C ambient with 8.4mm² (#8AWG) conductor.
- △ MARK LABEL ACCORDINGLY

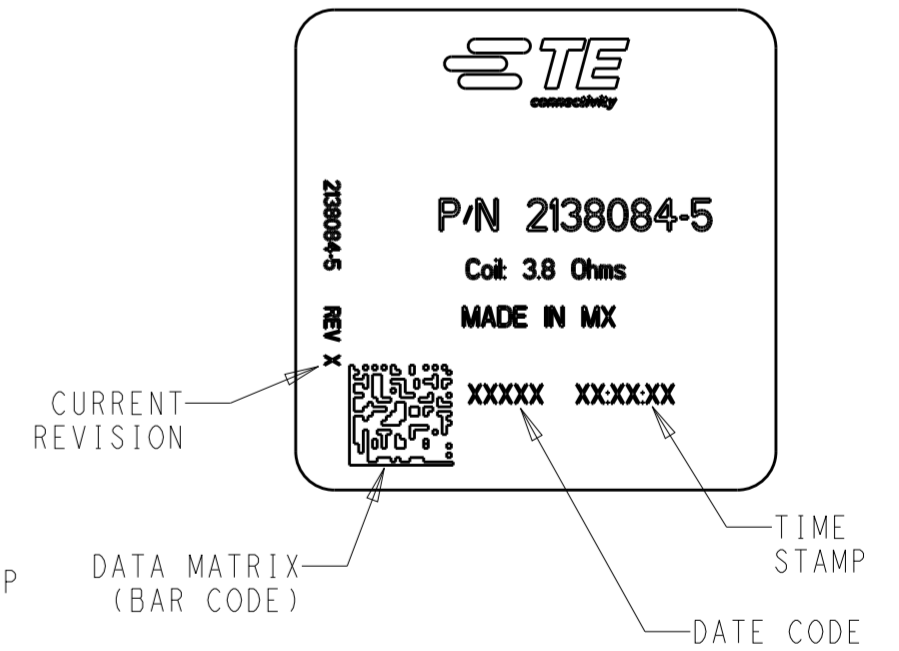
LABEL MARKING △



LABEL MARKING △



LABEL MARKING △



DESCRIPTION	PART NUMBER
LABEL WITH DATA MATRIX	2138084-5
LABEL WITH BARCODE	2138084-4
LABEL WITHOUT BARCODE	2138084-1

THIS DRAWING IS A CONTROLLED DOCUMENT.		DWN D. DRUMMOND 04NOV2011	TE Connectivity	
DIMENSIONS: INCHES [mm]		CHK T. BLACKMON 04NOV2011	NAME EVC135 RELAY, 3.8 OHMS VERSION (6 INCH WIRE)	
TOLERANCES UNLESS OTHERWISE SPECIFIED: 0 PLC ± 1 PLC ±0.3 2 PLC ±0.13 3 PLC ± 4 PLC ± ANGLES ±1° FINISH		APVD T. BLACKMON 04NOV2011	PRODUCT SPEC - APPLICATION SPEC -	
MATERIAL	-	WEIGHT	SIZE A2	CAGE CODE 00779
Customer Drawing		SCALE 2:1	DRAWING NO C-2138084-1	RESTRICTED TO -
			SHEET 1	OF 1
			REV B1	