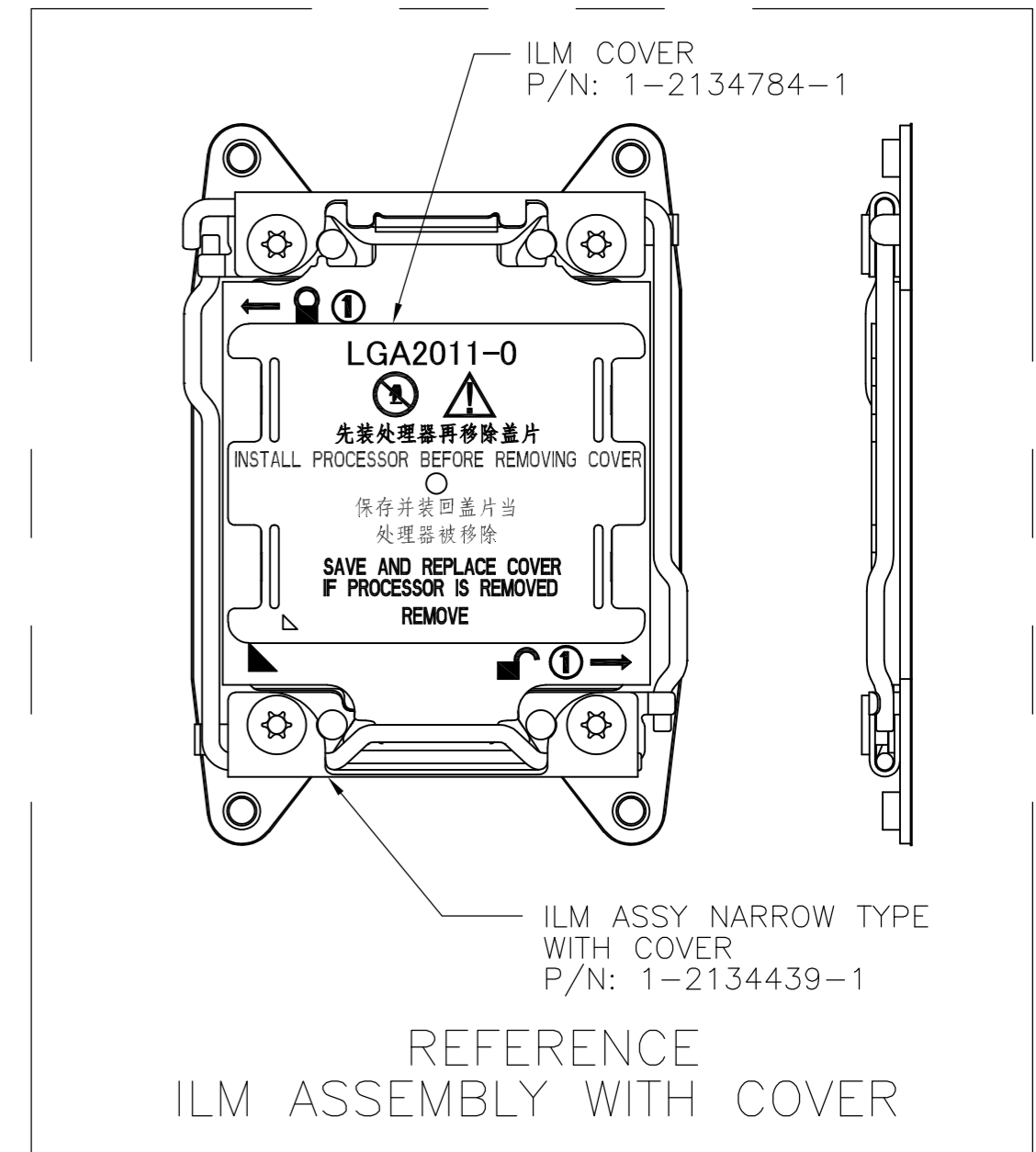
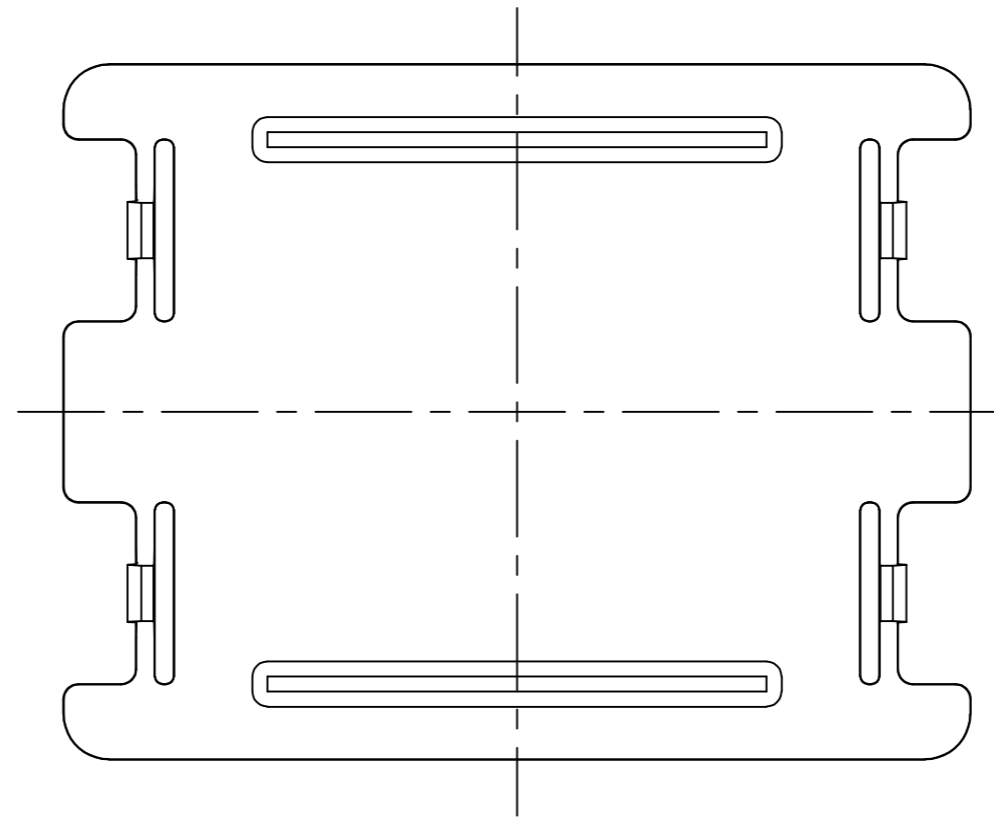
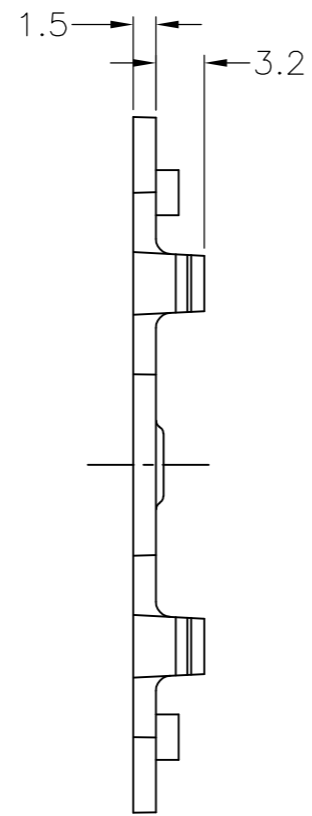
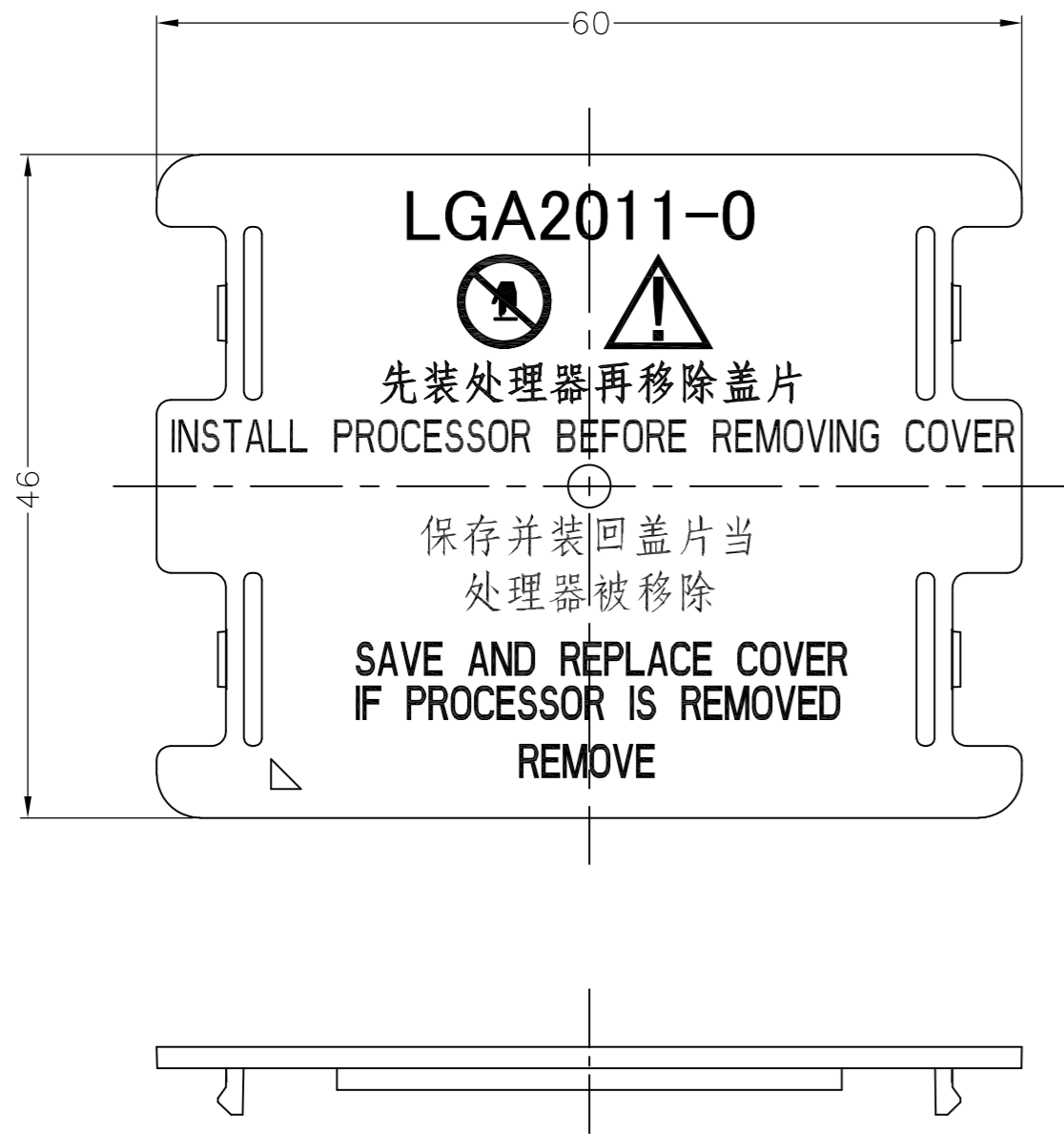


THIS DRAWING IS UNPUBLISHED. RELEASED FOR PUBLICATION JUL ,2011.  
 © COPYRIGHT 2011 By Tyco Electronics Japan G.K. ALL RIGHTS RESERVED.

LOC	DIST	REVISIONS			
P	LTR	DESCRIPTION	DATE	DWN	APVD
J	-	A1	REVISED	19AUG'11	J.C T.N



1-2134784-1 AS SHOWN

- 1. MATERIAL: POLYCARBONATE, UL94 V-0, BLACK
- 2. THIS PRODUCT IS APPLICABLE FOR ILM ASSEMBLY OF LGA2011 REFERENCE ILM ASSEMBLY P/N: 2134439 SERIES

THIS DRAWING IS A CONTROLLED DOCUMENT.		DWN Y.TAKAHASHI 24JUL2011																						
DIMENSIONS: mm		CHK H.TAGUCHI 24JUL2011																						
TOLERANCES UNLESS OTHERWISE SPECIFIED:		APVD T.NAKASHIMA 24JUL2011	NAME ILM DUST COVER LGA2011																					
<table border="1"> <tr><td>Ø-PLC</td><td>±</td><td>±0.3</td></tr> <tr><td>1-PLC</td><td>±</td><td></td></tr> <tr><td>2-PLC</td><td>±</td><td>±3°</td></tr> <tr><td>3-PLC</td><td>±</td><td></td></tr> <tr><td>4-PLC</td><td>±</td><td></td></tr> <tr><td>ANGLES</td><td>±</td><td>-</td></tr> </table>		Ø-PLC	±	±0.3	1-PLC	±		2-PLC	±	±3°	3-PLC	±		4-PLC	±		ANGLES	±	-	PRODUCT SPEC 108-78750	SIZE A2	CAGE CODE 00779	DRAWING NO C=2134784	RESTRICTED TO -
Ø-PLC	±	±0.3																						
1-PLC	±																							
2-PLC	±	±3°																						
3-PLC	±																							
4-PLC	±																							
ANGLES	±	-																						
MATERIAL △		FINISH -	WEIGHT 4.6g	SCALE NTS	SHEET 1 OF 1	REV A1																		
CUSTOMER DRAWING																								