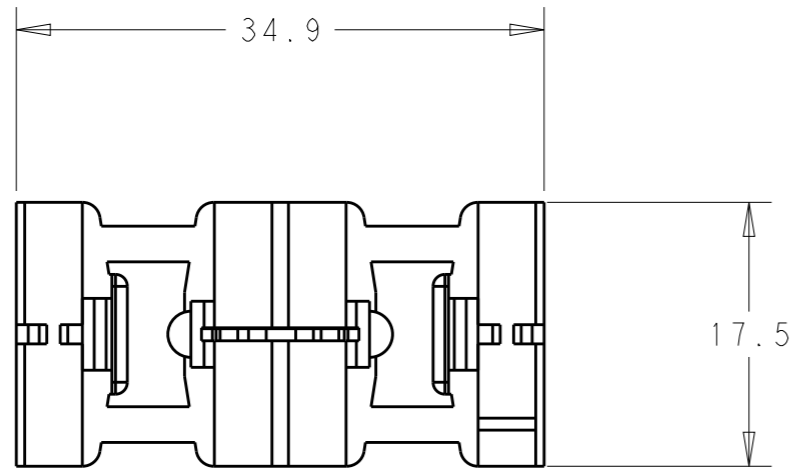
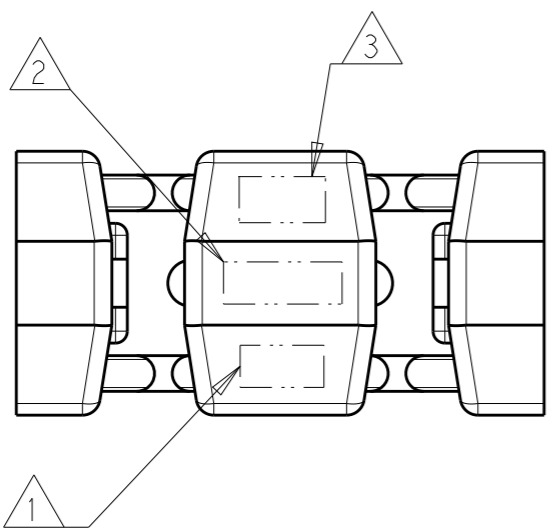
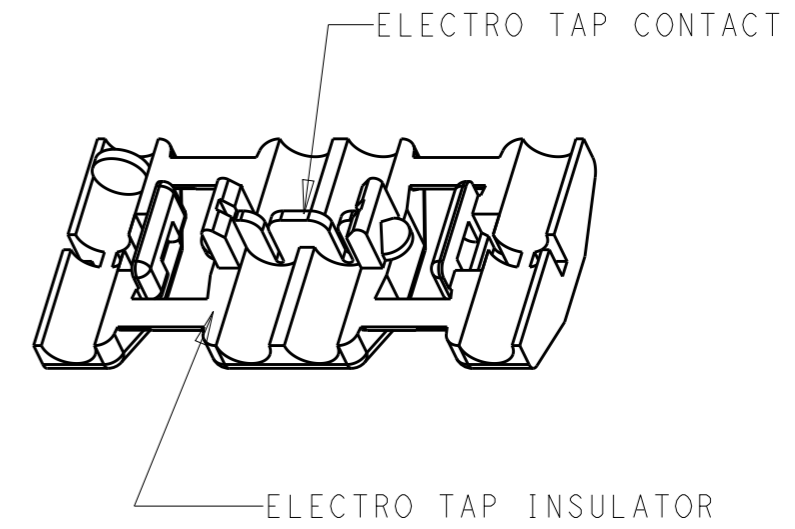
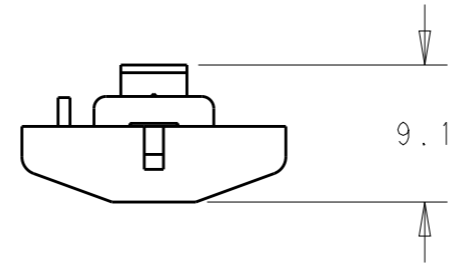
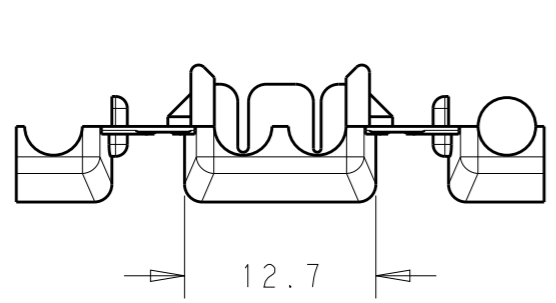


THIS DRAWING IS UNPUBLISHED. RELEASED FOR PUBLICATION 20
 © COPYRIGHT 20 BY - ALL RIGHTS RESERVED.


LOC	DIST	REVISIONS			
P	LTR	DESCRIPTION	DATE	DWN	APVD
AP	-	A	RELEASED	11 JAN 12	HC WLS
		A1	REV. BY ECO-12-008907	11 MAR 2012	HC WLS
		A2	REV. BY ECO 13-009430	06 JUN 2013	HC WLS



- △1 - LOGO/MANUFACTURING CODE AND MOLD CAVITY NUMBER
- △2 - WIRE RANGE MARKING ACC. TO TABLE.
- △3 - POLYMER RAW MATERIAL IDENTIFICATION.



4,0mm.	0,5-0,8/1,0-2,5mm ²	NATURAL	PA 6.6+6 V-0	TIN PLATED BRASS	2133471-1
INSULATION MAX. Ø	WIRE RANGE △2	COLOUR	INSULATOR MATERIAL	CONTACT MATERIAL	PART NUMBER

THIS DRAWING IS A CONTROLLED DOCUMENT.		DWN H.C.CANTERI 09 JAN 2012	 TE Connectivity ELECTRO TAP ASSY		
DIMENSIONS: mm		CHK W.L.STEFANI 10 JAN 2012			
TOLERANCES UNLESS OTHERWISE SPECIFIED:		APVD -	NAME		
0 PLC ±-		PRODUCT SPEC	-		
1 PLC ±0,4		APPLICATION SPEC	-		
2 PLC ±-		WEIGHT	-		
3 PLC ±-		Customer Drawing	SIZE A3	CAGE CODE 00779	DRAWING NO C-2133471
4 PLC ±-		MATERIAL	SCALE	SHEET 1 OF 1	RESTRICTED TO
ANGLES ±-		FINISH	-	-	-
-					REV A2