

THIS DRAWING IS UNPUBLISHED.

RELEASED FOR PUBLICATION

20

© COPYRIGHT 20

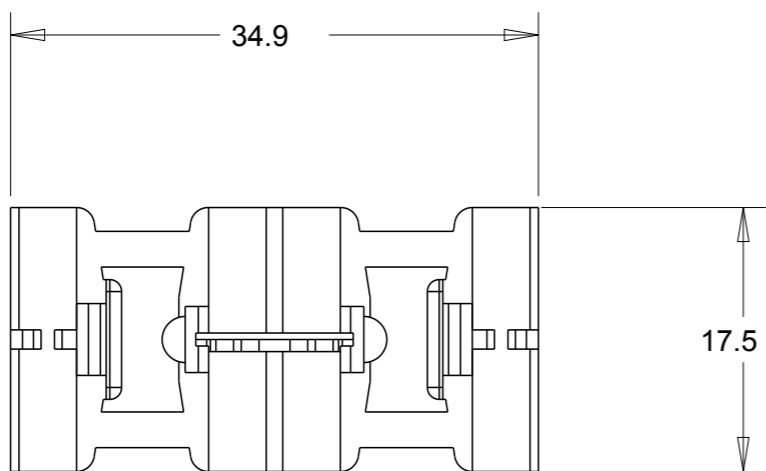
ALL RIGHTS RESERVED.

LOC  
AP

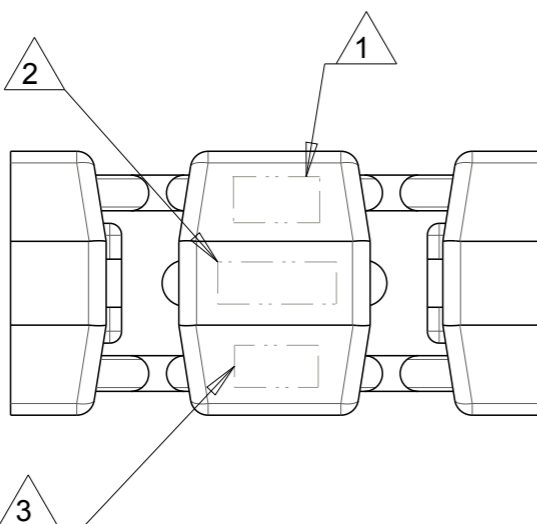
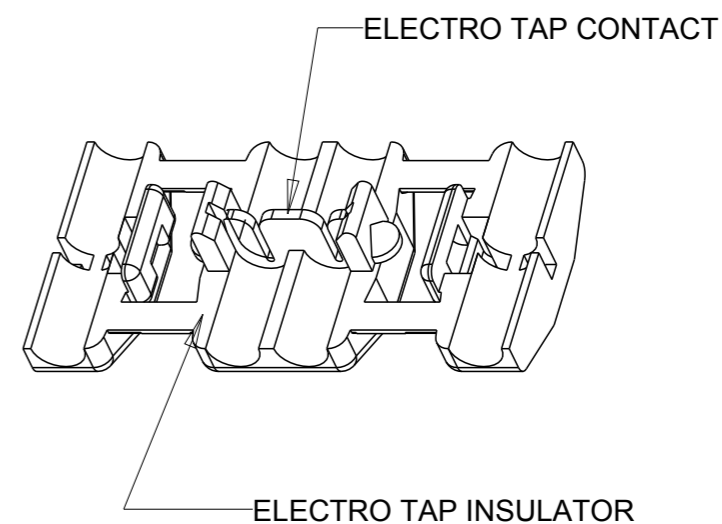
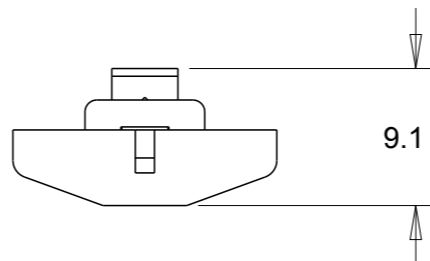
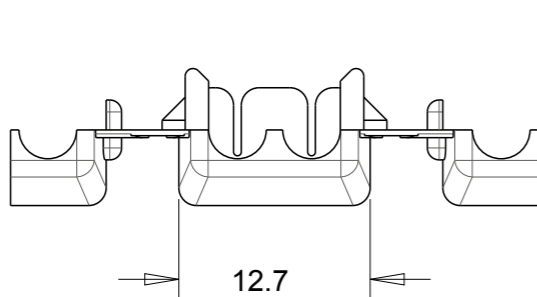
DIST  
-

REVISIONS

P	LTR	DESCRIPTION	DATE	DWN	APVD
	A	RELEASED	11JAN2012	HC	WLS
	A1	REVISED BY ECO 12-008907	11MAI2012	HC	WLS



- 1 -LOGO/MANUFACTURING CODE AND MOLD CAVITY NUMBER
- 2 -WIRE RANGE MARKING ACC. TO TABLE.
- 3 -POLYMER RAW MATERIAL IDENTIFICATION.



4,0mm.	1,0-2,5 mm <sup>2</sup>	GREEN	PA 6.6 - V-2	TIN PLATED BRASS	2133461-1
INSULATION MAX.Ø	WIRE RANGE 2	COLOUR	INSULATOR MATERIAL	CONTACT MATERIAL	PART NUMBER

THIS DRAWING IS A CONTROLLED DOCUMENT.		DWN 04JAN2012 H.C.CANTERI	TE Connectivity		
DIMENSIONS: mm		CHK 04JAN2012 W.L.STEFANI			
TOLERANCES UNLESS OTHERWISE SPECIFIED:		APVD -	NAME ELECTRO TAP ASSEMBLY ASSEMBLY		
0 PLC ±-		PRODUCT SPEC -	SIZE CAGE CODE DRAWING NO RESTRICTED TO		
1 PLC ±-		APPLICATION SPEC -	A300779 C-2133461		
2 PLC ±-		WEIGHT -	SCALE 5/1 SHEET 1 OF 1 REV A1		
3 PLC ±-		CUSTOMER DRAWING			
4 PLC ±-					
ANGLES ±					
FINISH -					