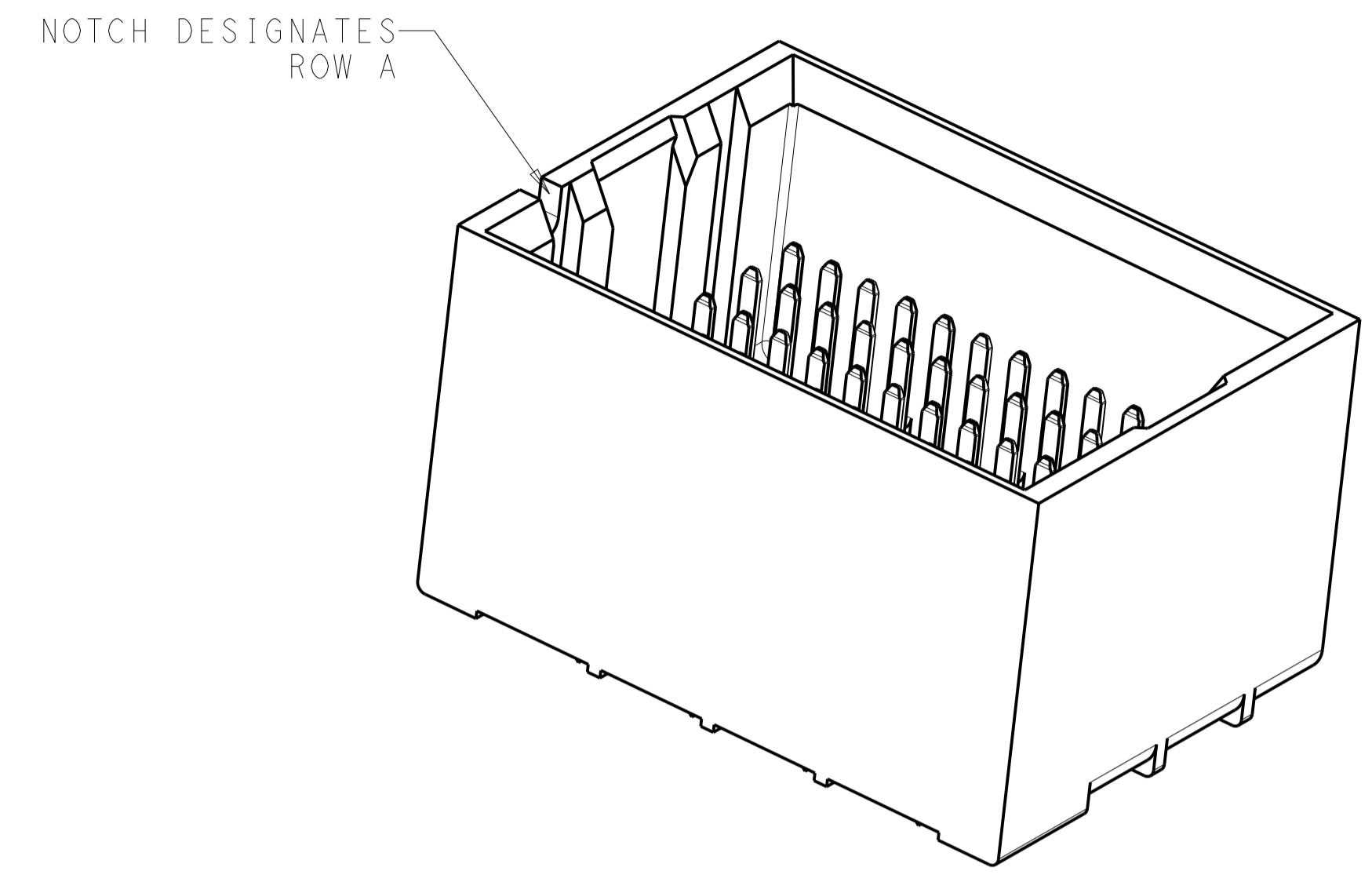
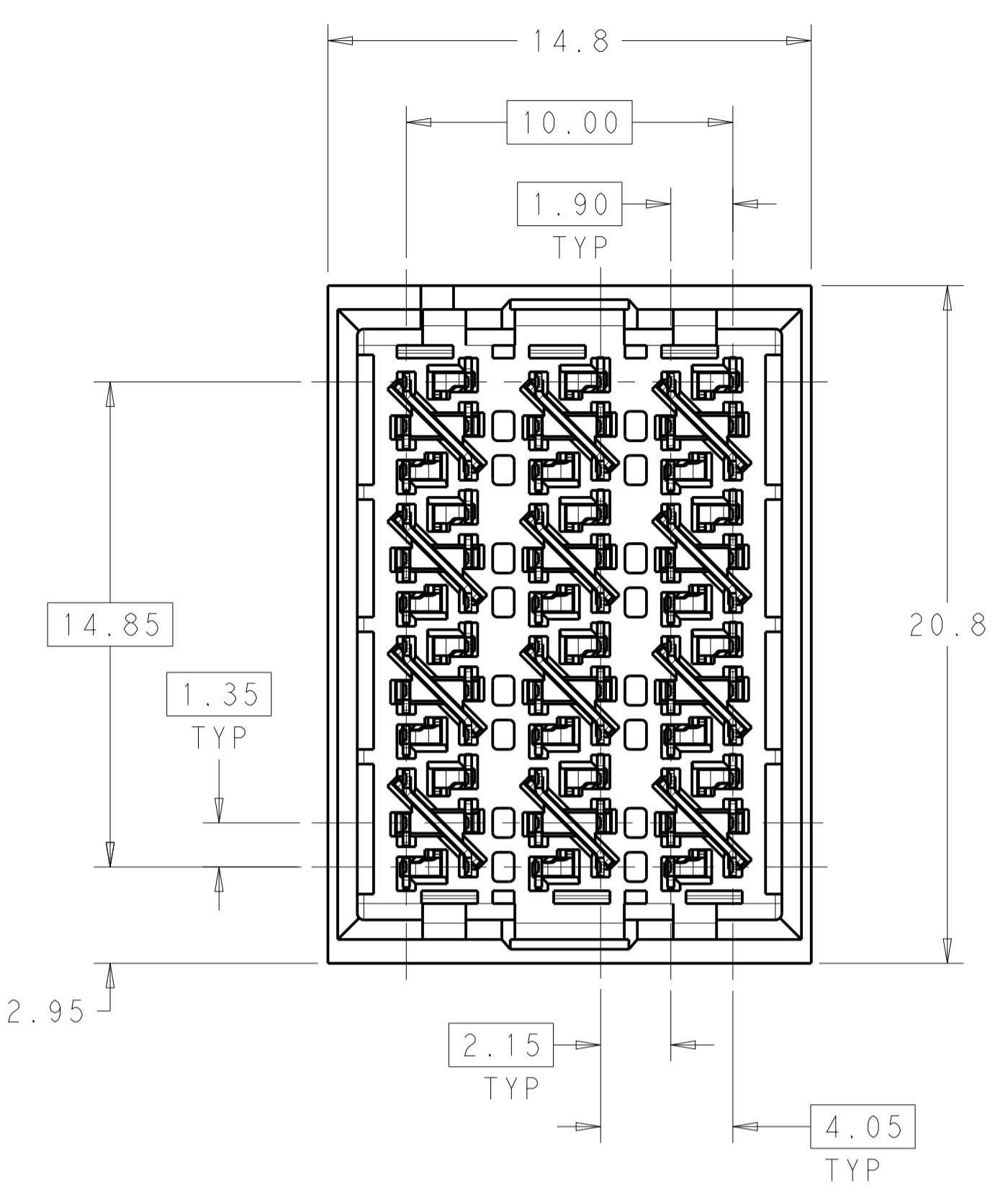
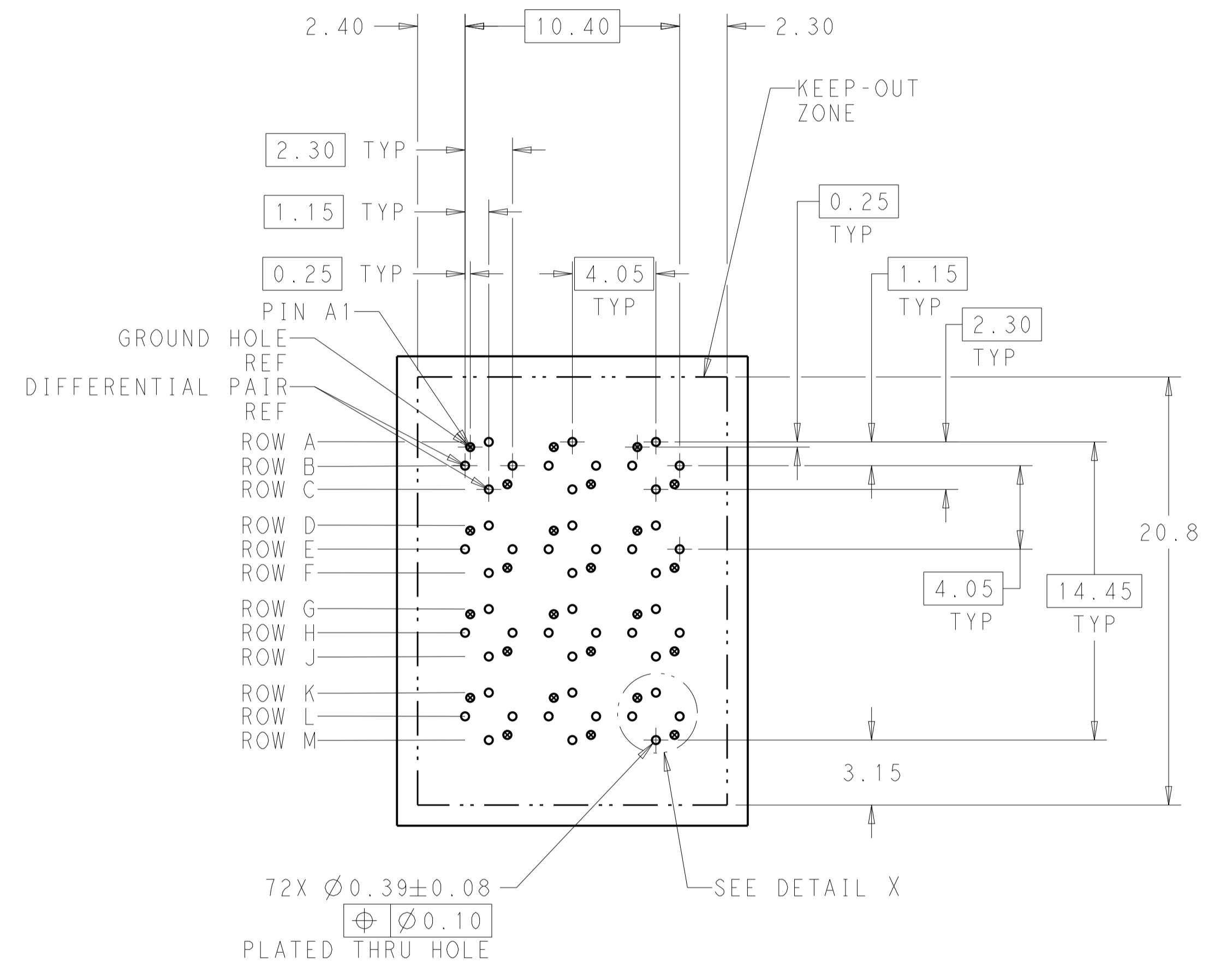
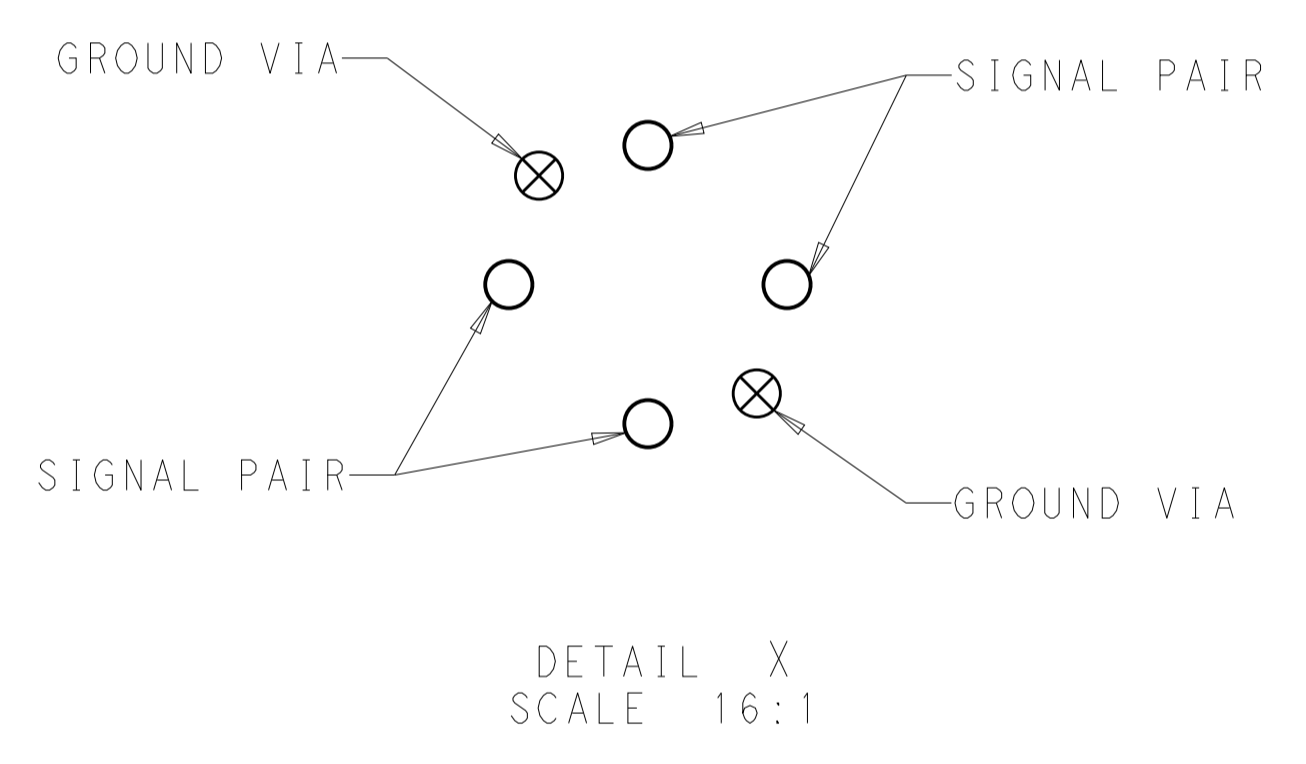


REVISIONS				
P.	LTM	DESCRIPTION	DATE	APPROV
C		REVISED PER ECO-14-013271	06SEP2014	AP DD



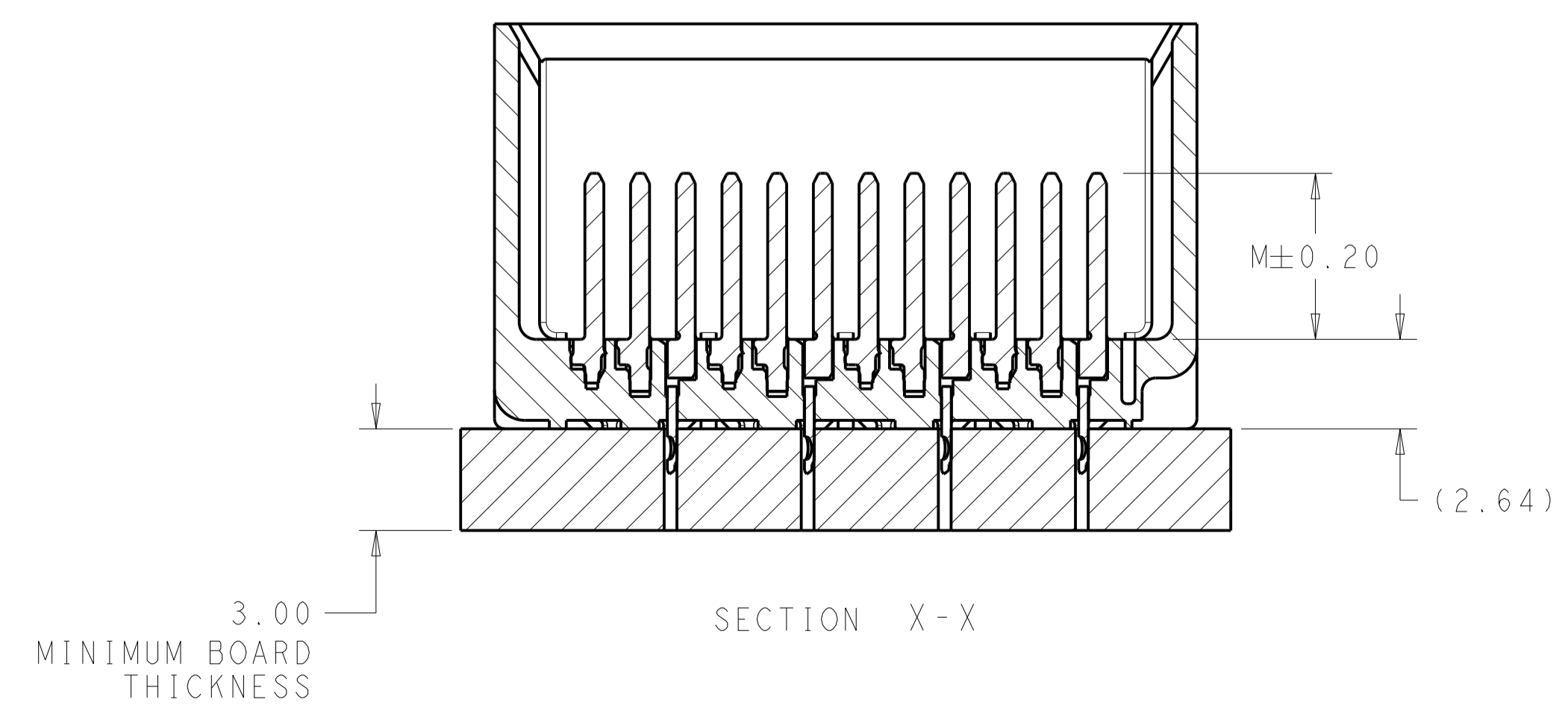
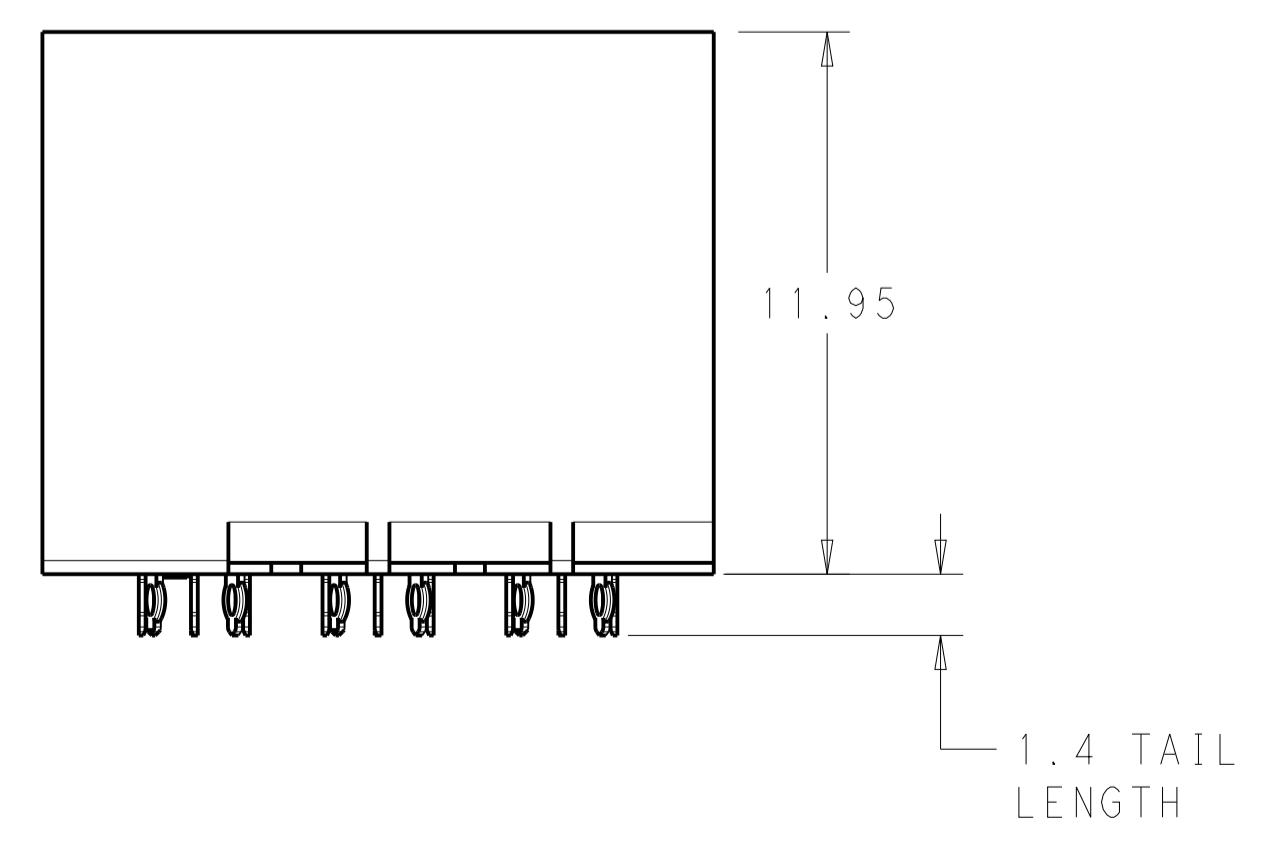
1 MATERIAL:  
HOUSING: LCP, GLASS FILLED, UL94V-0.  
TERMINALS: HIGH PERFORMANCE COPPER ALLOY.

2 FINISH:  
30µ" MIN GOLD IN CONTACT AREA. SELECTIVE TIN ON PCB TAILS, NICKEL OVERALL.



UNGUIDED BACKPLANE HOLE PATTERN (CONNECTOR SIDE)

REFER TO WWW.TE.COM FOR PRODUCT AVAILABILITY



THIS DRAWING IS A CONTROLLED DOCUMENT.		DWN: KIRAN HOLAL 18OCT2012	2132599-2
DIMENSIONS: mm		CHK: DIXON DIRK 18OCT2012	2132599-1
TOLERANCES UNLESS OTHERWISE SPECIFIED:		APVD: DIXON DIRK 18OCT2012	FINISH DIM M PART NUMBER
0 PLC	±	PRODUCT SPEC	
2 PLC	±0.25	APPLICATION SPEC	
3 PLC	±0.13	SIZE CAGE CODE DRAWING NO	A100779C=2132599
4 PLC	±	RESTRICTED TO	
ANGLES	±	WEIGHT	
MATERIAL	SEE TABLE	CUSTOMER DRAWING	SCALE 6:1 SHEET 1 OF 1 REV C