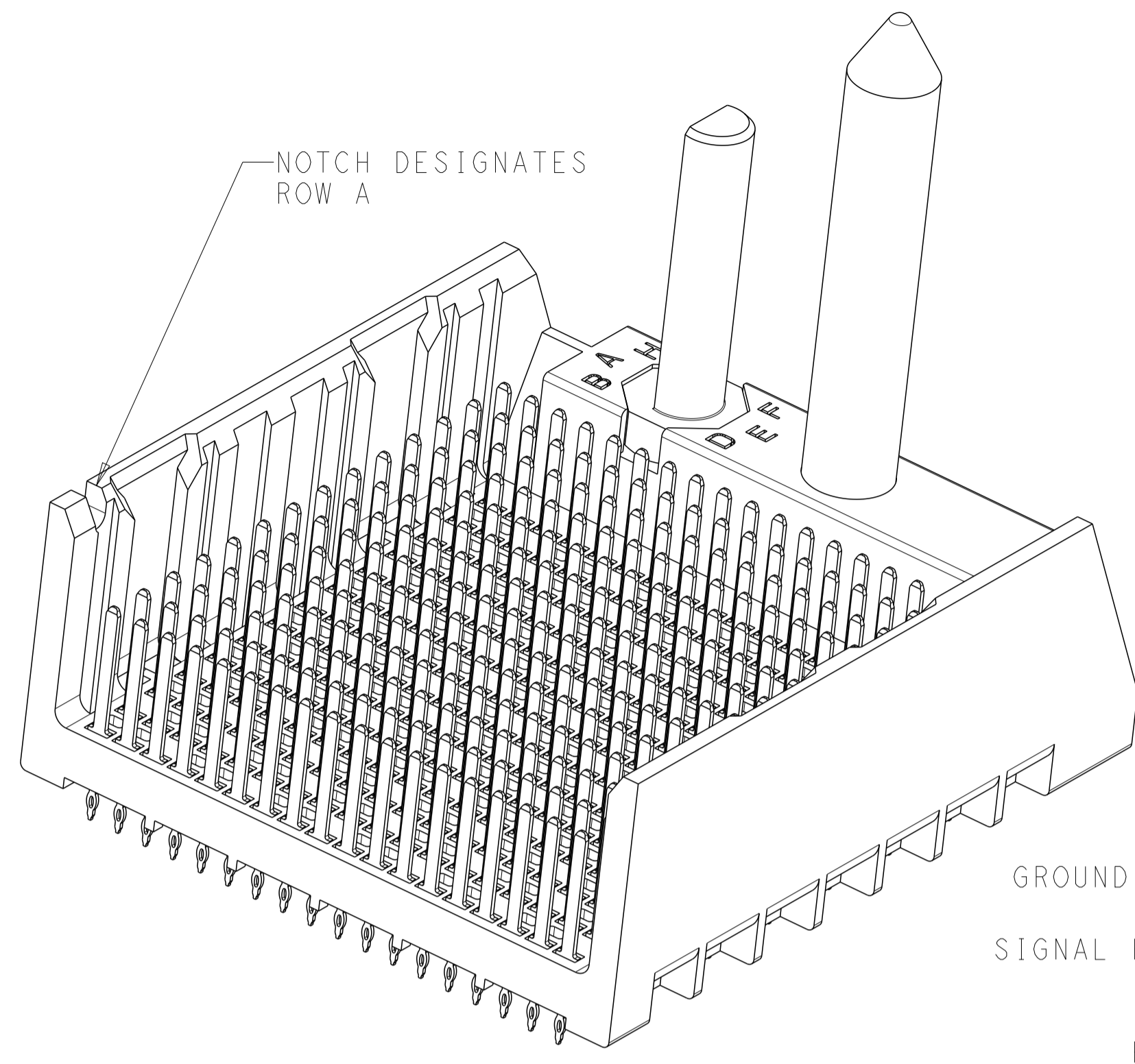
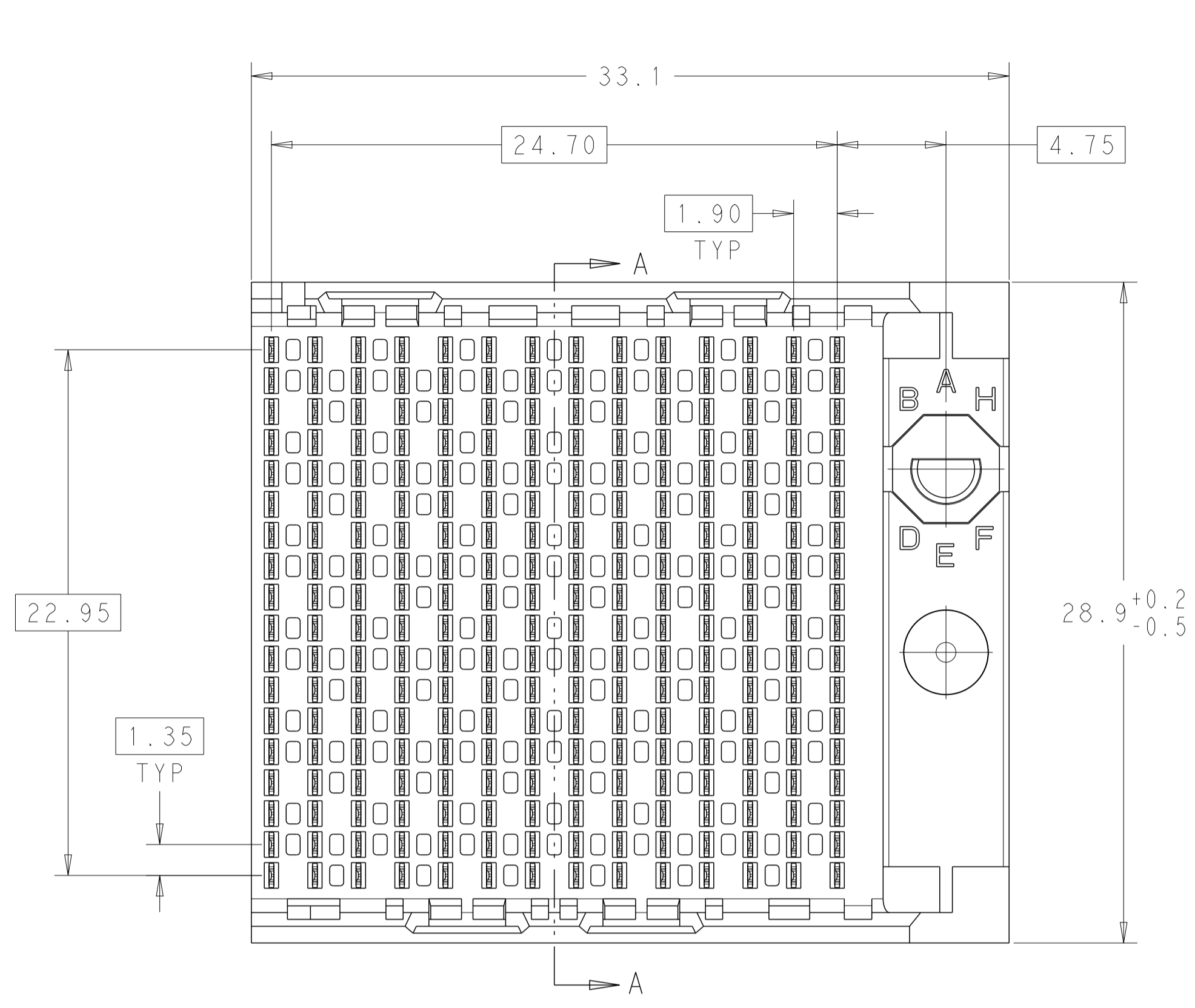
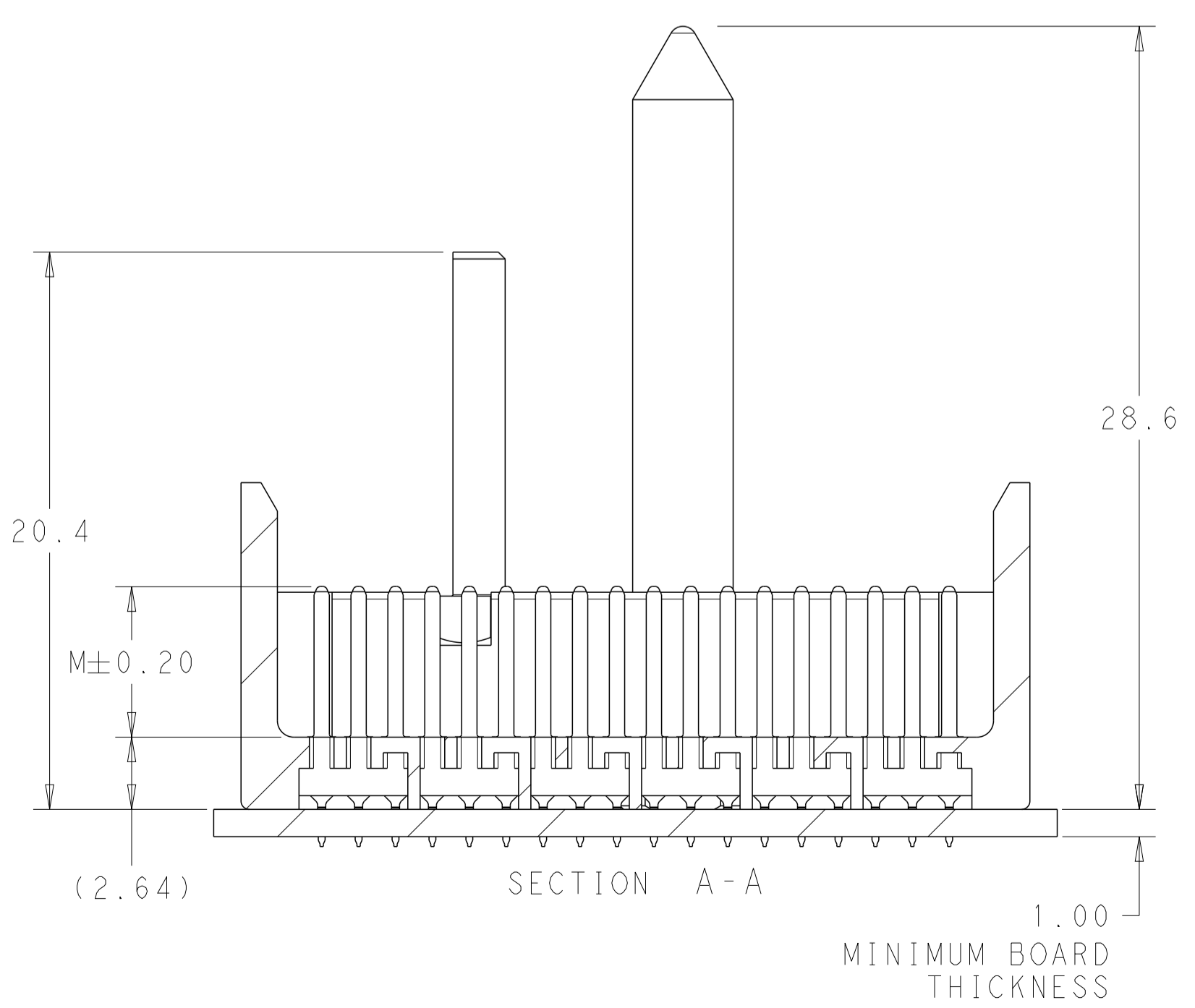
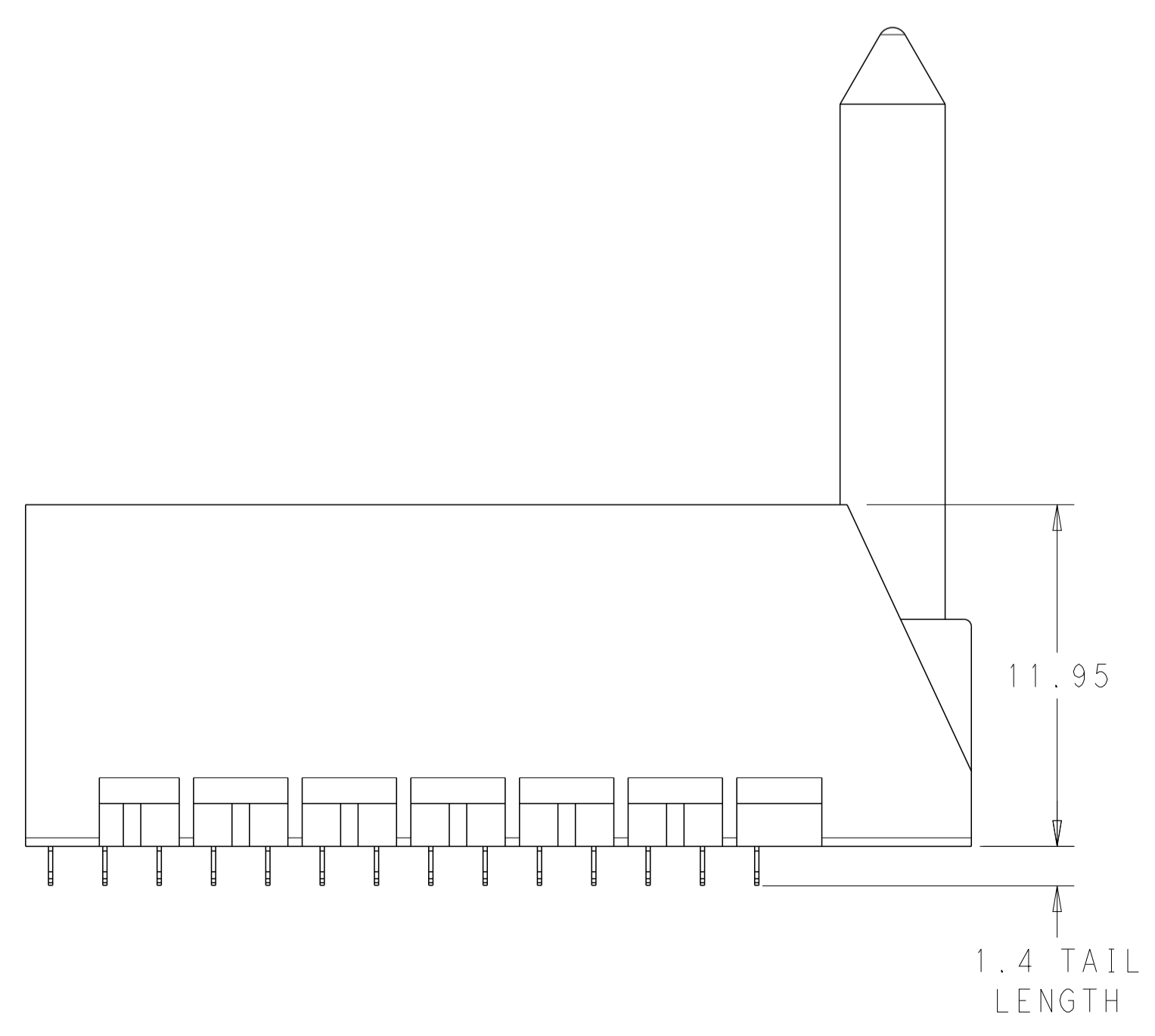
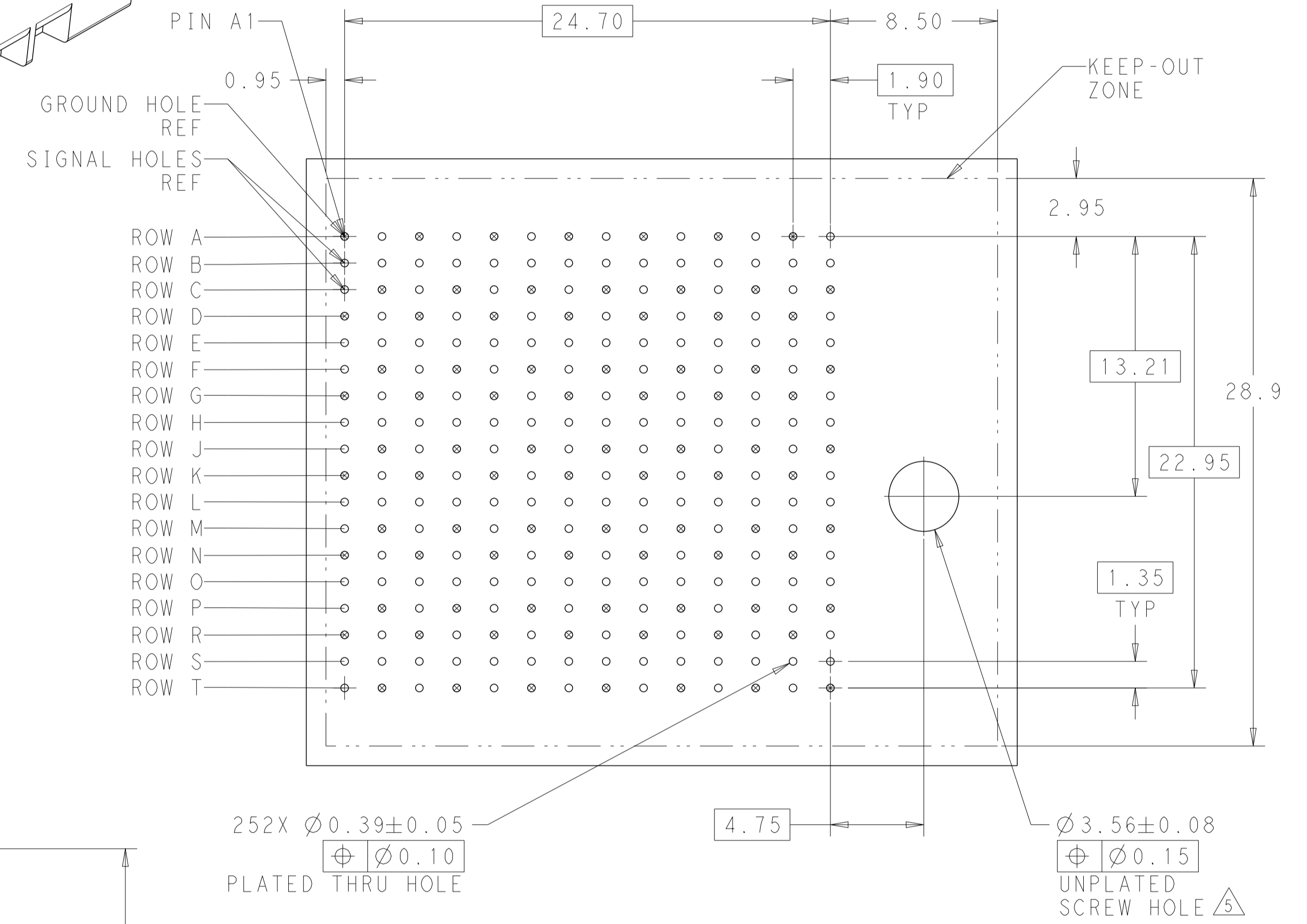


LOC	DIST	REVISIONS			
P	LTN	DESCRIPTION	DATE	DWN	APVD
A		CREATED BY AUTOMATION PROGRAM	02MAY2011	RKC	JE
A1		REVISED PER ECN-24-252171	06MAR2024	AP	RS



- 1 MATERIAL: HOUSING: LCP, GLASS FILLED, UL94V-0. TERMINALS: HIGH PERFORMANCE COPPER ALLOY.
- 2 FINISH: 30μ" MIN GOLD IN CONTACT AREA. SELECTIVE TIN ON PCB TAILS, NICKEL OVERALL.
- 3 FINISH: 30μ" MIN GOLD IN CONTACT AREA. SELECTIVE TIN-LEAD ON PCB TAILS, NICKEL OVERALL.
- 4 SCREWS PACKAGED IN END OF PACKAGING TUBE.
- 5 FOR GROUNDED GUIDE PIN USE Ø3.56±0.08 PTH, Ø3.66 DRILL, AND Ø6.5 PAD.
- 6 KEYING PIN SHOWN IN POSITION A, SEE KEYING CHART ON SHEET 2 FOR OTHER POSITIONS.

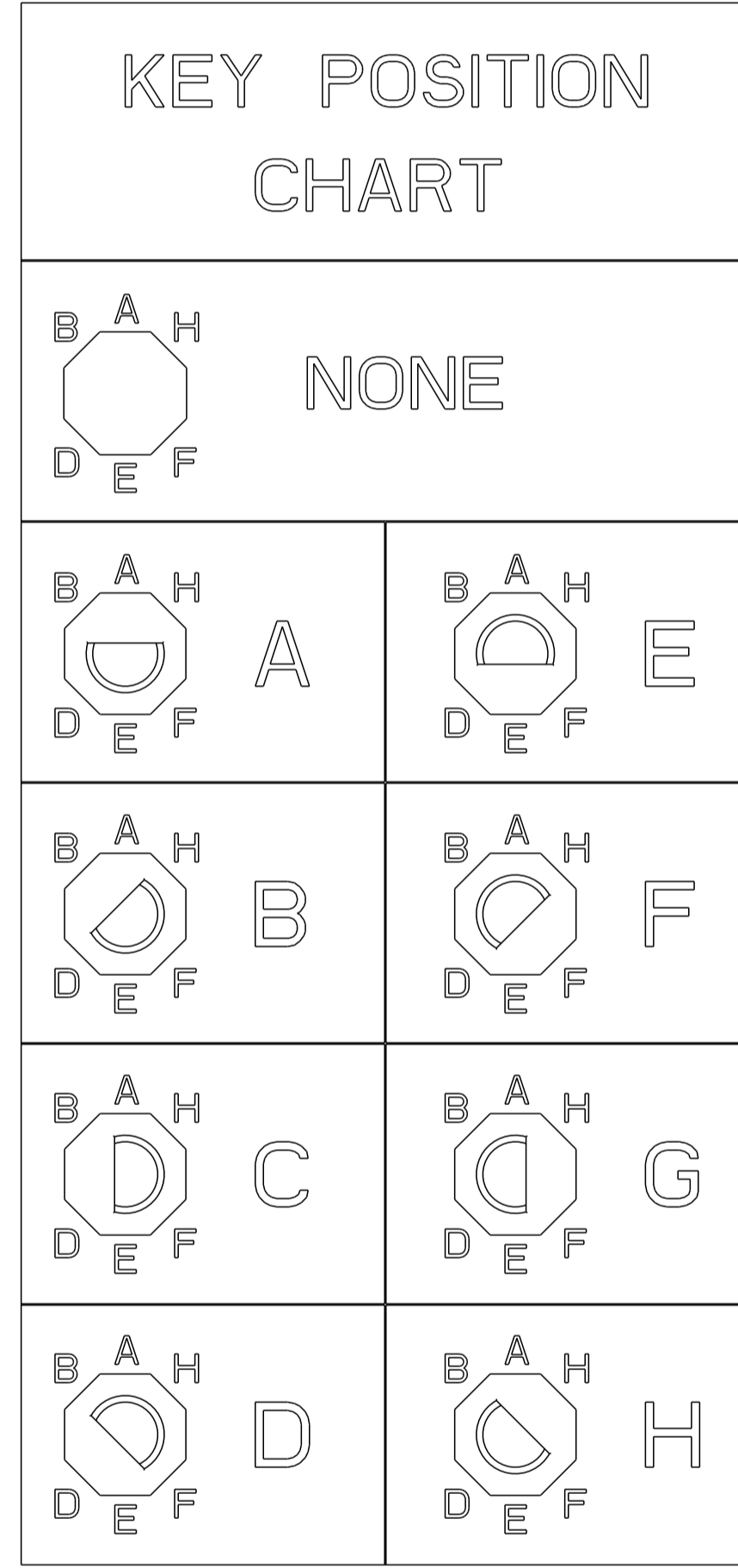


THIS DRAWING IS A CONTROLLED DOCUMENT.

DIMENSIONS:	TOLERANCES UNLESS OTHERWISE SPECIFIED:	DWN R. COELLO 02MAY2011	TE Connectivity
mm	0 PLC ±0.25	CHK J. EARY 02MAY2011	
	1 PLC ±0.13	APVD J. EARY 02MAY2011	
	2 PLC ±0.10	PRODUCT SPEC	
MATERIAL	FINISH SEE TABLE	APPLICATION SPEC	NAME IMPACT, 6 PAIR, 14 COLUMN, HEADER RIGHT GUIDED, OPEN END WALL SIGNAL MODULE, 0.39 PTH
		WEIGHT	SIZE CAGE CODE DRAWING NO. RESTRICTED TO
			A100779C=2132005
		CUSTOMER DRAWING	SCALE 5:1 SHEET 1 OF 2 REV A1

LOC	DIST	P	LTN	DESCRIPTION	DATE	OWN	APVD
AD	00	-	-	SEE SHEET 1	-	-	-

3	H	5.5	8-2132005-6	OBSOLETE
3	H	4.9	8-2132005-5	
3	H	4.5	8-2132005-4	
2	H	5.5	8-2132005-3	
2	H	4.9	8-2132005-2	
2	H	4.5	8-2132005-1	
3	G	5.5	7-2132005-6	
3	G	4.9	7-2132005-5	
3	G	4.5	7-2132005-4	
2	G	5.5	7-2132005-3	
2	G	4.9	7-2132005-2	
2	G	4.5	7-2132005-1	
3	F	5.5	6-2132005-6	
3	F	4.9	6-2132005-5	
3	F	4.5	6-2132005-4	
2	F	5.5	6-2132005-3	
2	F	4.9	6-2132005-2	
2	F	4.5	6-2132005-1	
3	E	5.5	5-2132005-6	
3	E	4.9	5-2132005-5	
3	E	4.5	5-2132005-4	
2	E	5.5	5-2132005-3	
2	E	4.9	5-2132005-2	
2	E	4.5	5-2132005-1	
3	D	5.5	4-2132005-6	
3	D	4.9	4-2132005-5	
3	D	4.5	4-2132005-4	
2	D	5.5	4-2132005-3	
2	D	4.9	4-2132005-2	
2	D	4.5	4-2132005-1	
3	C	5.5	3-2132005-6	
3	C	4.9	3-2132005-5	
3	C	4.5	3-2132005-4	
2	C	5.5	3-2132005-3	
2	C	4.9	3-2132005-2	
2	C	4.5	3-2132005-1	
3	B	5.5	2-2132005-6	
3	B	4.9	2-2132005-5	
3	B	4.5	2-2132005-4	
2	B	5.5	2-2132005-3	
2	B	4.9	2-2132005-2	
2	B	4.5	2-2132005-1	
3	A	5.5	1-2132005-6	
3	A	4.9	1-2132005-5	
3	A	4.5	1-2132005-4	
2	A	5.5	1-2132005-3	
2	A	4.9	1-2132005-2	
2	A	4.5	1-2132005-1	
3	-	5.5	2132005-6	
3	-	4.9	2132005-5	
3	-	4.5	2132005-4	
2	-	5.5	2132005-3	
2	-	4.9	2132005-2	
2	-	4.5	2132005-1	
FINISH	KEY POSITION	DIM M	PART NUMBER	OBSOLETE



REFER TO WWW.TE.COM
FOR PRODUCT AVAILABILITY

THIS DRAWING IS A CONTROLLED DOCUMENT.		OWN R. COELLO 02MAY2011	TE Connectivity
DIMENSIONS: mm		CHK J. EARY 02MAY2011	
TOLERANCES UNLESS OTHERWISE SPECIFIED:		APVD J. EARY 02MAY2011	NAME IMPACT, 6 PAIR, 14 COLUMN, HEADER RIGHT GUIDED, OPEN END WALL SIGNAL MODULE, 0.39 PTH
0 PLC ± 2 PLC ±0.25 3 PLC ±0.13 4 PLC ± ANGLES ±		PRODUCT SPEC	
MATERIAL		APPLICATION SPEC	SIZE A100779C=2132005
FINISH SEE TABLE		WEIGHT	RESTRICTED TO
CUSTOMER DRAWING		SCALE 5:1	SHEET 2 OF 2
		REV A1	