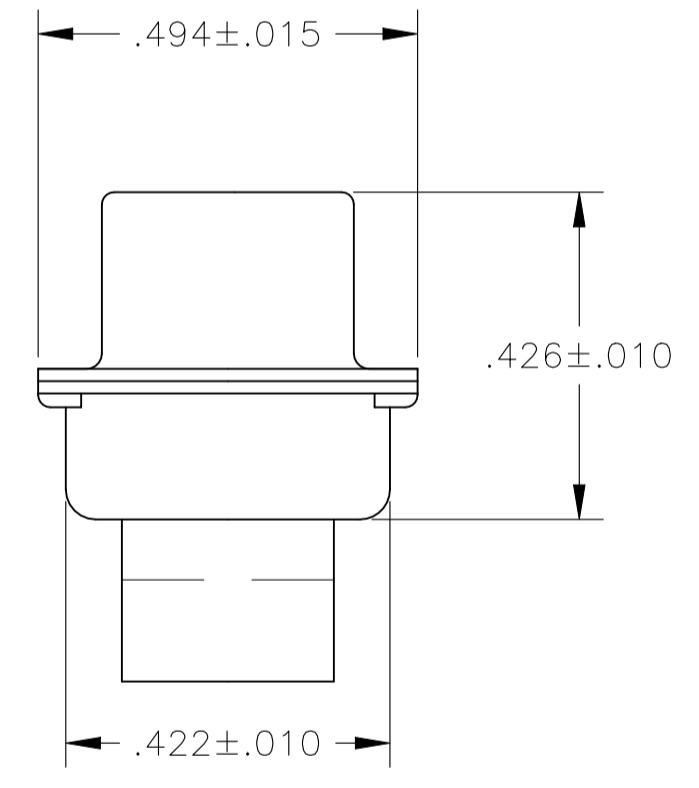
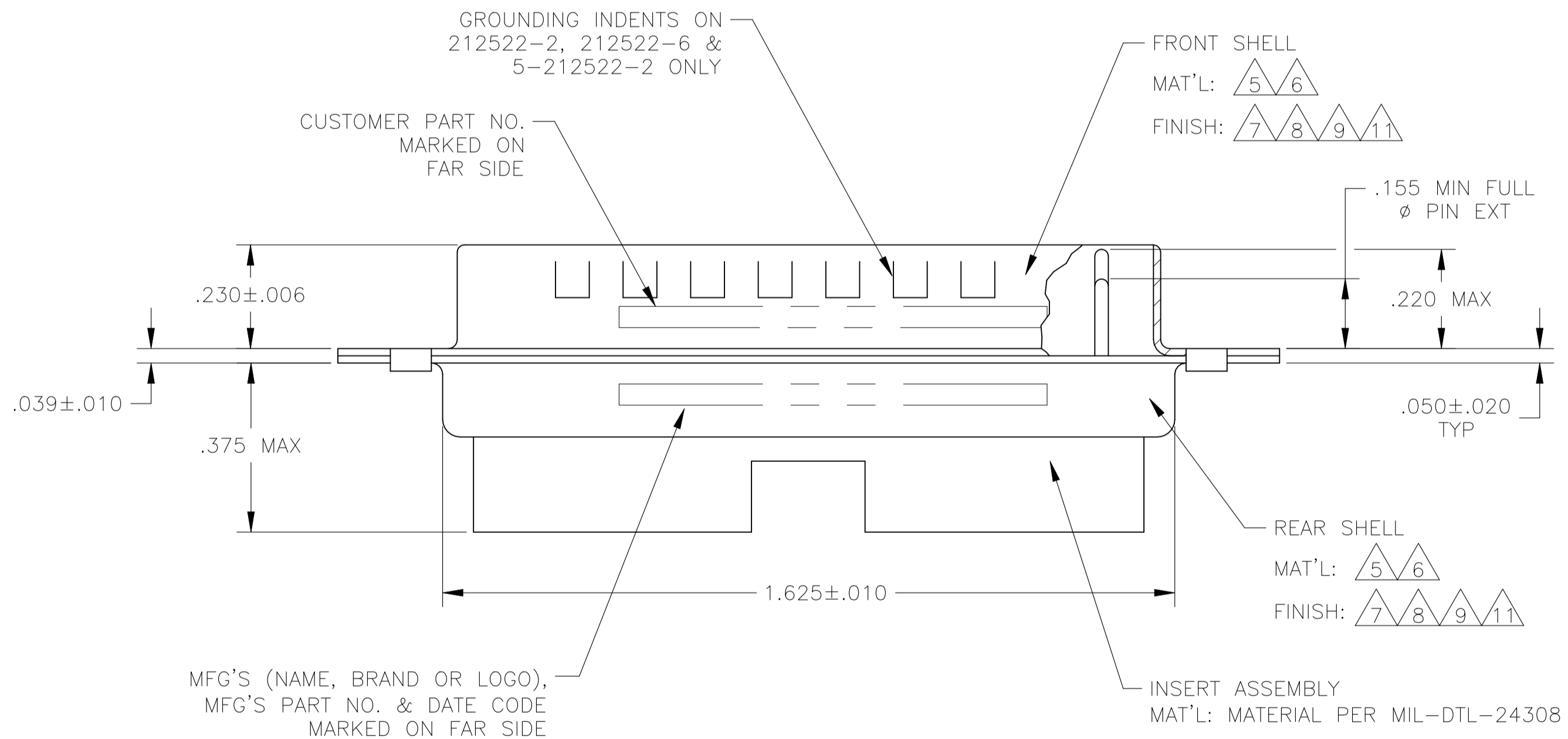
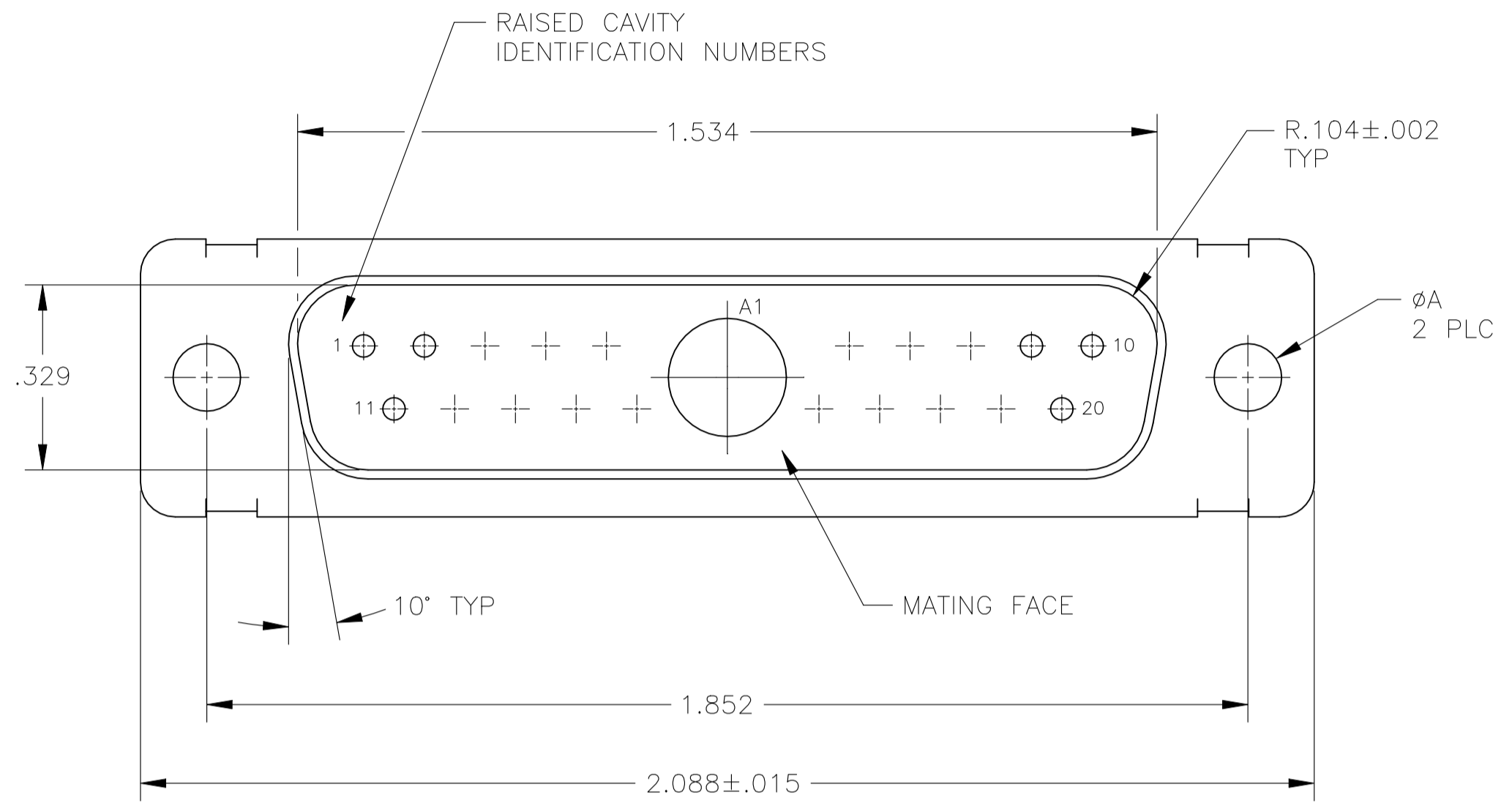


REVISIONS				
P	LTR	DESCRIPTION	DATE	APPRO
Y		REVISED PER ECN-24-272099	24JUN2024	PE DS

- THIS PLUG WILL MATE WITH ANY 21C1, SIZE 3 RECEPTACLE IN AMPLIMITE SERIES.
 - MAXIMUM WIRE INSULATION TO BE USED WITH THIS PLUG IS $\phi.068$.
 - THIS CONNECTOR ACCEPTS (1) POWER 8, OR COAX PIN CONTACT IN POSITION A1, PURCHASED SEPARATELY.
 - THIS CONNECTOR ACCEPTS SIZE 20 PIN SIGNAL CONTACTS IN POSITIONS 1 THRU 20, PURCHASED SEPARATELY.
- 5 STEEL PER ASTM-A-109.
 - 6 BRASS PER MIL-C-50 AND ASTM-B-36 UNS NO. C26000.
 - 7 CADMIUM PLATED PER QQ-P-416.
 - 8 FINISH: GOLD PLATED PER MIL-G-45204 TYPE II, GRADE C, CLASS 1 OVER COPPER PER MIL-C-14550, CLASS IV.
 - 9 FINISH: TIN PER ASTM-B-545, .000400 MIN THK OVER COPPER PER AMS2418, .000050 MIN THK
 - 10 212552-7 IS OBSOLETE.
 - 11 FINISH: ZINC PLATE PER ASTM-B-633 .000200-.000400 THK WITH SUPPLEMENTARY CHROMATE (Cr3+).



5-212522-2 OBSOLETED	5/9	.120	-	5-212522-2
	5/11	.120	-	5-212522-1
	5/9	.120	-	212522-7
	5/9	.120	-	212522-6
212522-5 OBSOLETED	6/8	.120	B010942-0039	212522-5
212522-4 OBSOLETED	6/8	.154	311P405-14P-B-15	212522-4
212522-3 OBSOLETED	6/8	.120	311P405-14P-B-12	212522-3
212522-2 OBSOLETED	5/9	.120	-	212522-2
	5/7	.120	-	212522-1
REMARKS		ØA	CUSTOMER P/N	PART NO.

WARNING - THIS DOCUMENT CONTAINS TECHNOLOGY WHOSE EXPORT IS RESTRICTED BY THE EXPORT ADMINISTRATION REGULATIONS ("EAR") PURSUANT TO 15 C.F.R. PARTS 730-774. VIOLATIONS OF THE EAR ARE SUBJECT TO SEVERE CRIMINAL PENALTIES UNDER THE EXPORT CONTROL REFORM ACT, AS AMENDED (TITLE 50, U.S.C., SEC. 4801, ET SEQ.).

THIS DRAWING IS A CONTROLLED DOCUMENT.

MANJUNATH G. M. 27-May-15
 CHARLES THOMAS 27-May-15
 CHARLES THOMAS 27-May-15

TE Connectivity

PLUG ASSEMBLY
 AMPLIMITE 21C1
 SIZE 3, SERIES 109, COAX MIX

SIZE: A1
 CAGE CODE: 00779
 DRAWING NO: 212522

SCALE: 4:1 SHEET: 1 of 1 REV: Y