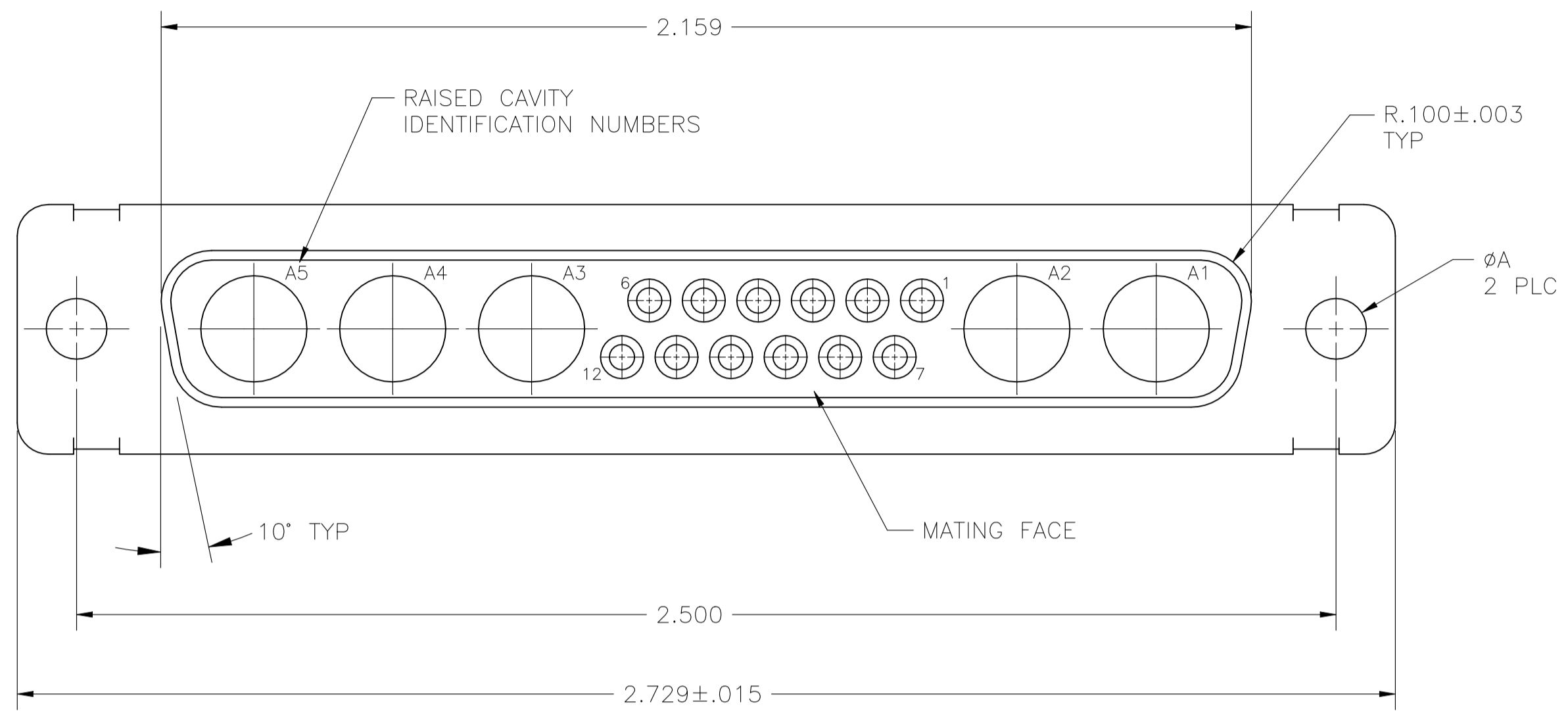
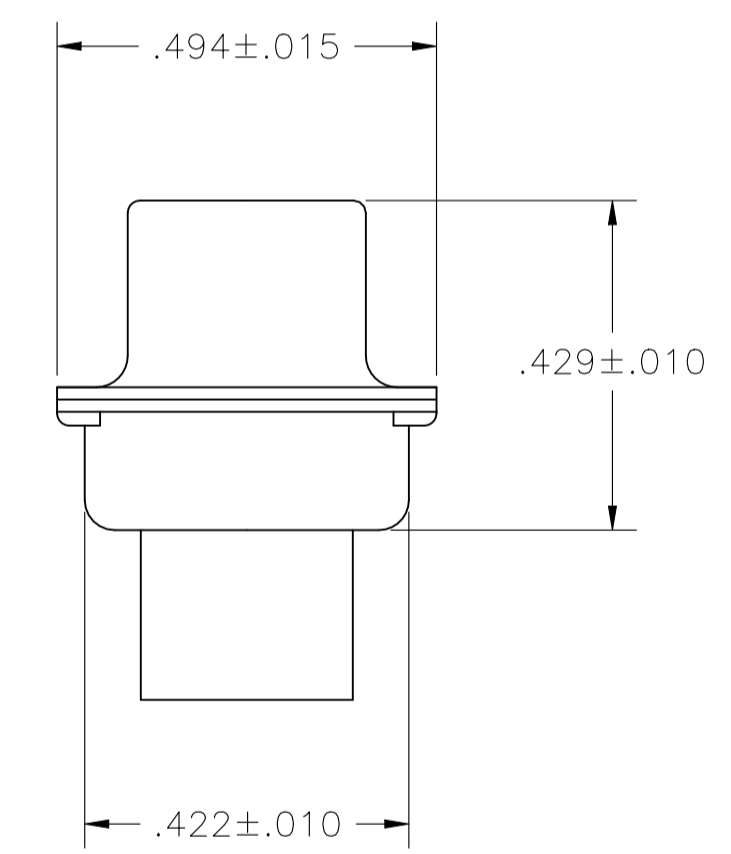
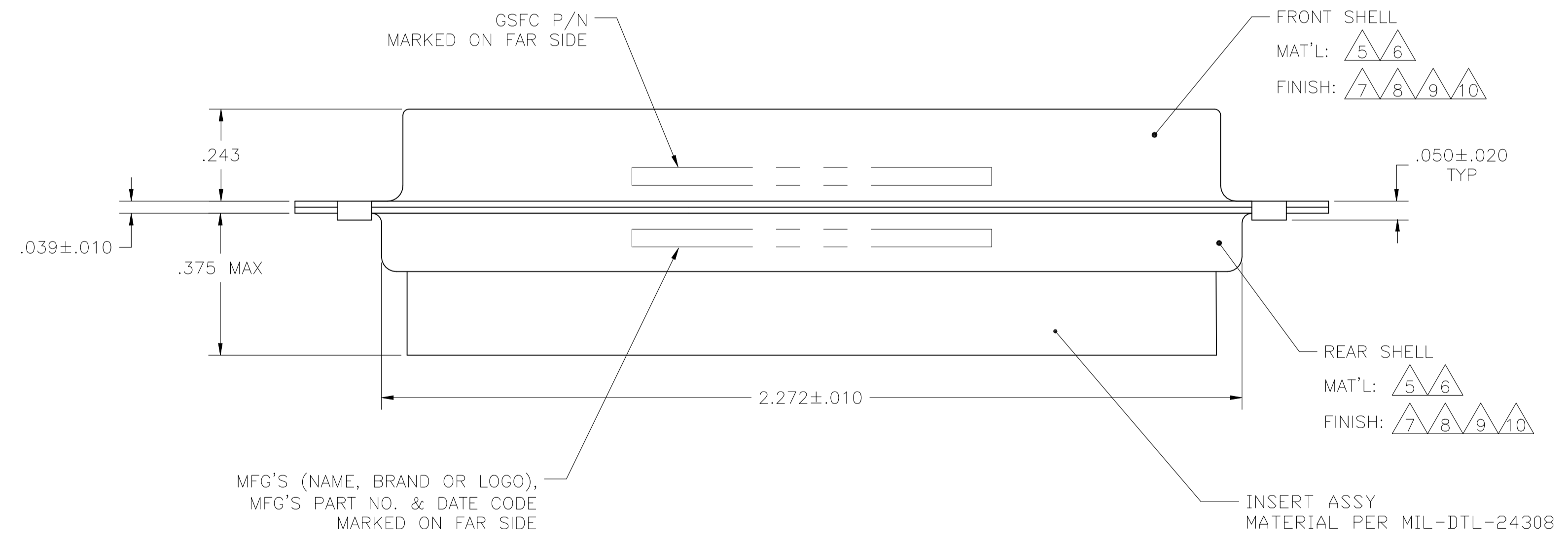


WARNING - THIS DOCUMENT CONTAINS TECHNOLOGY WHOSE EXPORT IS RESTRICTED BY THE EXPORT ADMINISTRATION REGULATIONS ("EAR") PURSUANT TO 15 C.F.R. PARTS 730-774. VIOLATIONS OF THE EAR ARE SUBJECT TO SEVERE CRIMINAL PENALTIES UNDER THE EXPORT CONTROL REFORM ACT, AS AMENDED (TITLE 50, U.S.C., SEC. 4801, ET SEQ.).

REVISIONS				
P	LTR	DESCRIPTION	DATE	BY
R		REVISED PER ECN-24-271609	19JUN2024	PE DS



- THIS RECEPTACLE WILL MATE WITH ANY 17C5, SIZE 4 PLUG IN AMPLIMITE SERIES.
 - MAXIMUM WIRE INSULATION TO BE USED WITH THIS RECEPTACLE IS $\phi.068$.
 - THIS CONNECTOR ACCEPTS (5) POWER 8, OR COAX SOCKET CONTACTS IN POSITIONS A1 THRU A5, PURCHASED SEPARATELY.
 - THIS CONNECTOR ACCEPTS SIZE 20 SOCKET SIGNAL CONTACTS IN POSITIONS 1 THRU 12, PURCHASED SEPARATELY.
- 5 STEEL PER ASTM-A-109.
 - 6 BRASS PER MIL-C-50 AND ASTM-B-36 UNS NO. C26000.
 - 7 FINISH: CADMIUM PLATED PER QQ-P-416.
 - 8 GOLD PLATED PER MIL-G-45204 TYPE II, GRADE C, CLASS 1 OVER COPPER PER MIL-C-14550, CLASS IV.
 - 9 FINISH: TIN PER ASTM-B-545 .000400 MIN THK OVER COPPER PER AMS2418 .000050 MIN THK.
 - 10 FINISH: ZINC PLATE PER ASTM-B-633 .000200-.000400 THK WITH SUPPLEMENTARY CHROMATE (Cr3+).



5-212518-5 OBSOLETE	5 9	.120	-	5-212518-5
5-212518-1 OBSOLETE	5 10	.120	-	5-212518-1
212518-5 OBSOLETE	5 9	.120	-	212518-5
212518-4 OBSOLETE	6 8	.154	311P405-17S-B-15	212518-4
212518-3 OBSOLETE	6 8	.120	311P405-17S-B-12	212518-3
	5 7	.120	-	212518-1
REMARKS	ϕA	GSFC P/N	PART NO	

THIS DRAWING IS A CONTROLLED DOCUMENT.

DIMENSIONS: INCHES	TOLERANCES UNLESS OTHERWISE SPECIFIED:	DIN C.C.THOMAS 25JAN88	APPROVED: A.EMADI 26JAN88
0. PLC ± -	1. PLC ± -	2. PLC ± -	3. PLC ± .005(0.13)
4. PLC ± -	ANGLES ± 0° 30'	NAME: RECEPTACLE ASSEMBLY AMPLIMITE 17C5 SIZE 4, SERIES 109, COAX MIX	
MATERIAL	FINISH	SIZE: A1	CAGE CODE: 00779
CUSTOMER DRAWING		SCALE: 4:1	SHEET 1 of 1

STE TE Connectivity