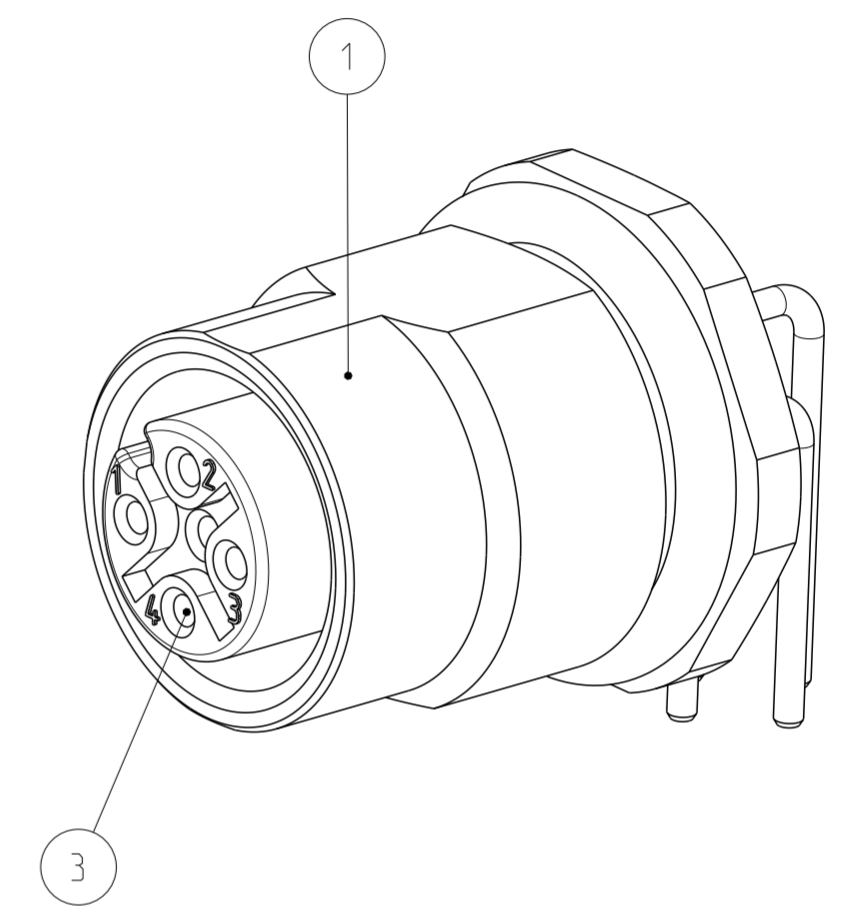
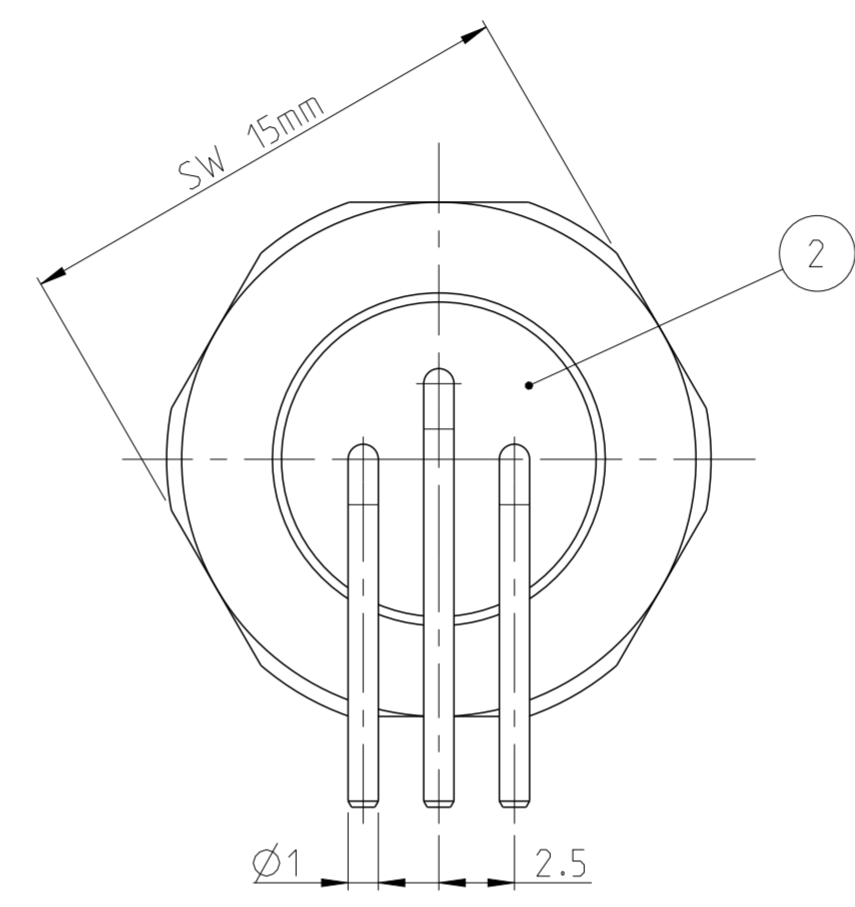
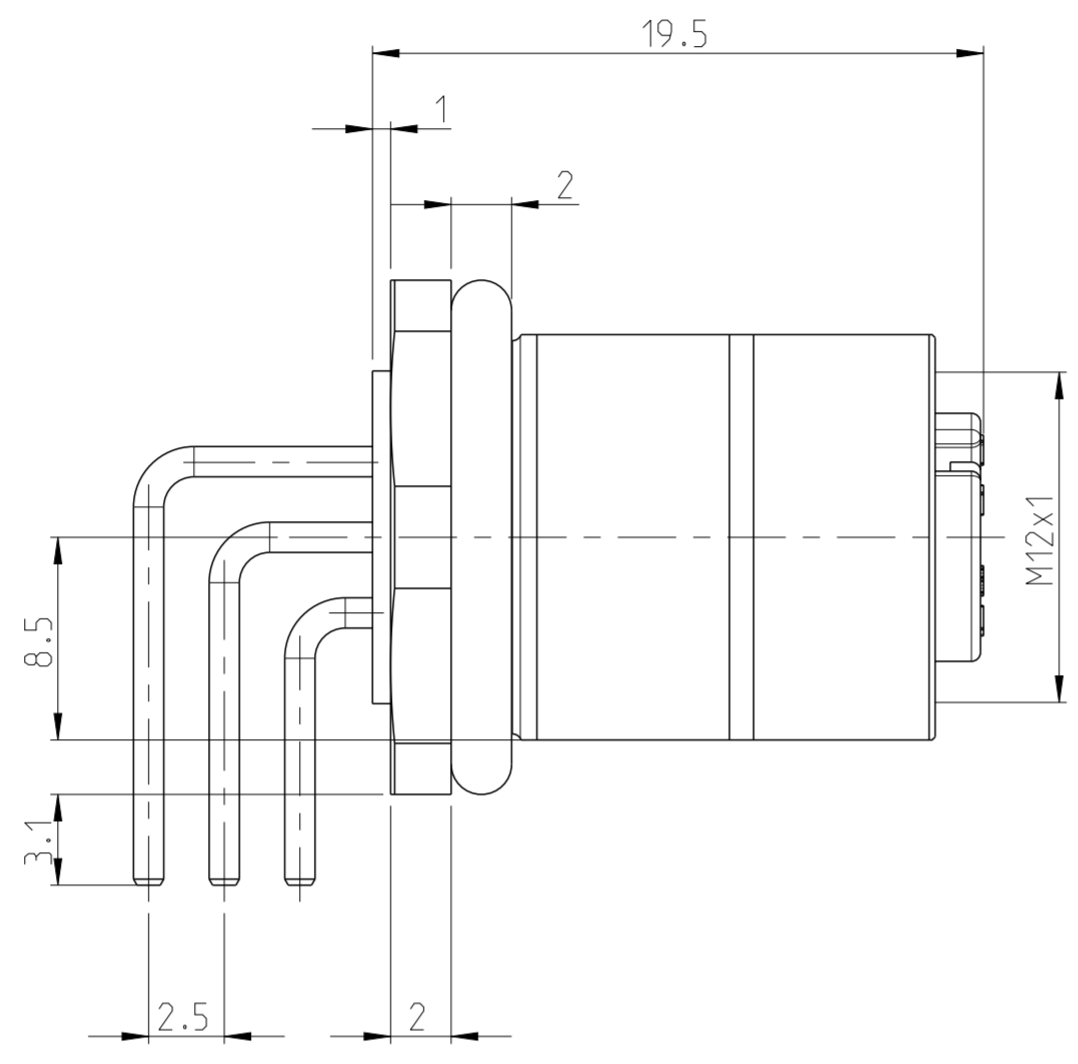


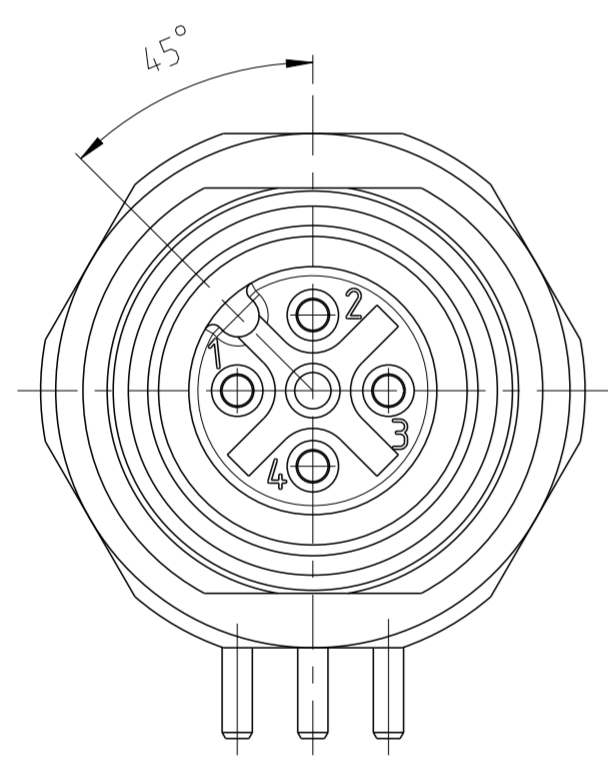
P	LTR	REVISIONS AENDERUNGEN	DESCRIPTION BESCHREIBUNG	DATE	DWN	APVD
	A2		ADDED PCB LAYOUT IN DRAWING	20AUG2014	YR	MB

TECHNICAL DATA	2120960-1
RATED VOLTAGE	250V
RATED IMPULSE VOLTAGE	2500V
POLLUTION DEGREE	3
OVERVOLTAGE CATEGORY	II
MATERIAL GROUP	III
RATED CURRENT	4A
VOLUME RESISTIVITY	≤ 3mΩ
DEGREE OF PROTECTION	IP68
UPPER TEMPERATURE	+85°C
LOWER TEMPERATURE	-40°C

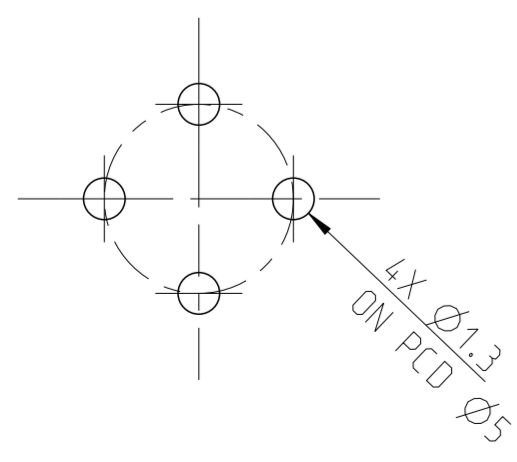


PIN ARRANGEMENT A-CODING (SCALE 4:1)

2120960-1



PCB LAYOUT



- 1 MATERIAL: ITEM NO. 1: HOUSING - BRASS NICKEL PLATED  
ITEM NO. 2: CONTACT BODY - PA  
ITEM NO. 3: CONTACT - CuSn (Bronze)  
CONTACT FINISH - Au (gold)

2 ALL DIMENSIONS ARE FOR NOMINAL REFERENCE ONLY UNLESS OTHERWISE STATED

3 PACKAGING: 15 PIECES IN A TRAY / BLISTER

-	-	1	4	2120960-1
CABLE FEED-THROUGH mm	WIRES AWG / mm <sup>2</sup>	MATERIAL	NUMBER OF POLES	TE-PART-NO.

DIESE ZEICHNUNG IST EIN KONTROLLIERTES DOKUMENT. BEMASSUNGEN UND TOLERANZEN GEMAESS GPS (ISO STANDARDS). THIS DRAWING IS A CONTROLLED DOCUMENT. DIMENSIONING AND TOLERANCING PER GPS (ISO STANDARDS).

DIMENSIONS: MASSE IN HEI TEN: (MM)	TOLERANCES UNLESS OTHERWISE SPECIFIED: ALLGEMEINTOLERANZEN	DWN YASHKUMAR 29MAY2014	<p>TE Connectivity</p> <p>NAME M12 RECEPTACLE, FEMALE, PCB MOUNT, PANEL REAR, ANGLED, SHIELDED, A-CODED</p>
		CHK M. STRELOW 29MAY2014	
		APVD C. SCHREITLINGER 29MAY2014	
		PRODUCT SPEC 108-19483	
		APPLICATION SPEC 114-32127	SIZE A2
MATERIAL SEE NOTES	FINISH/OBERFLAECHE/FARBE SEE NOTES	WEIGHT GEWICHT -	CAGE CODE 00779
		Customer Drawing	DRAWING NO. ZEICHNUNGS-NR. C-2120960
			RESTRICTED TO NUR FÜR -
			SCALE MASSSTAB 4:1
			SHEET BLATT 1 OF VON 1
			REV A2

SIZE ISO 14405 (E)