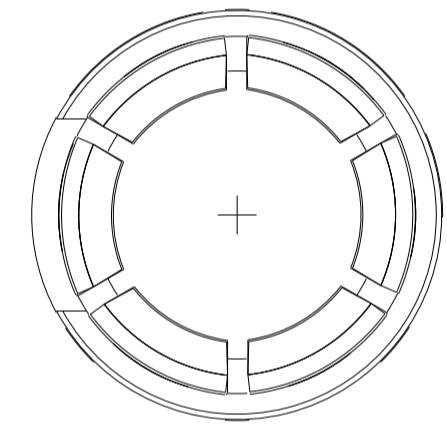
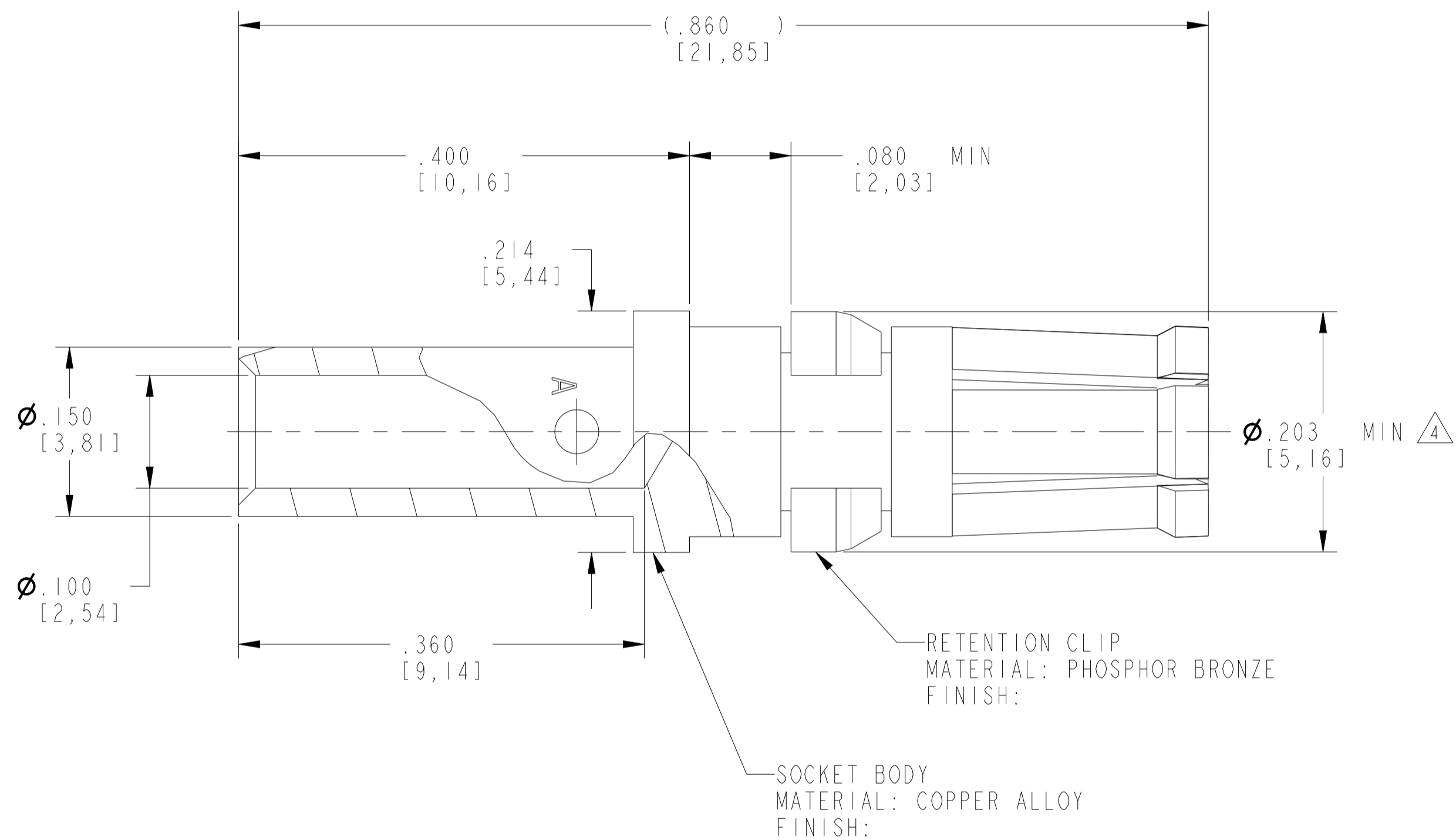
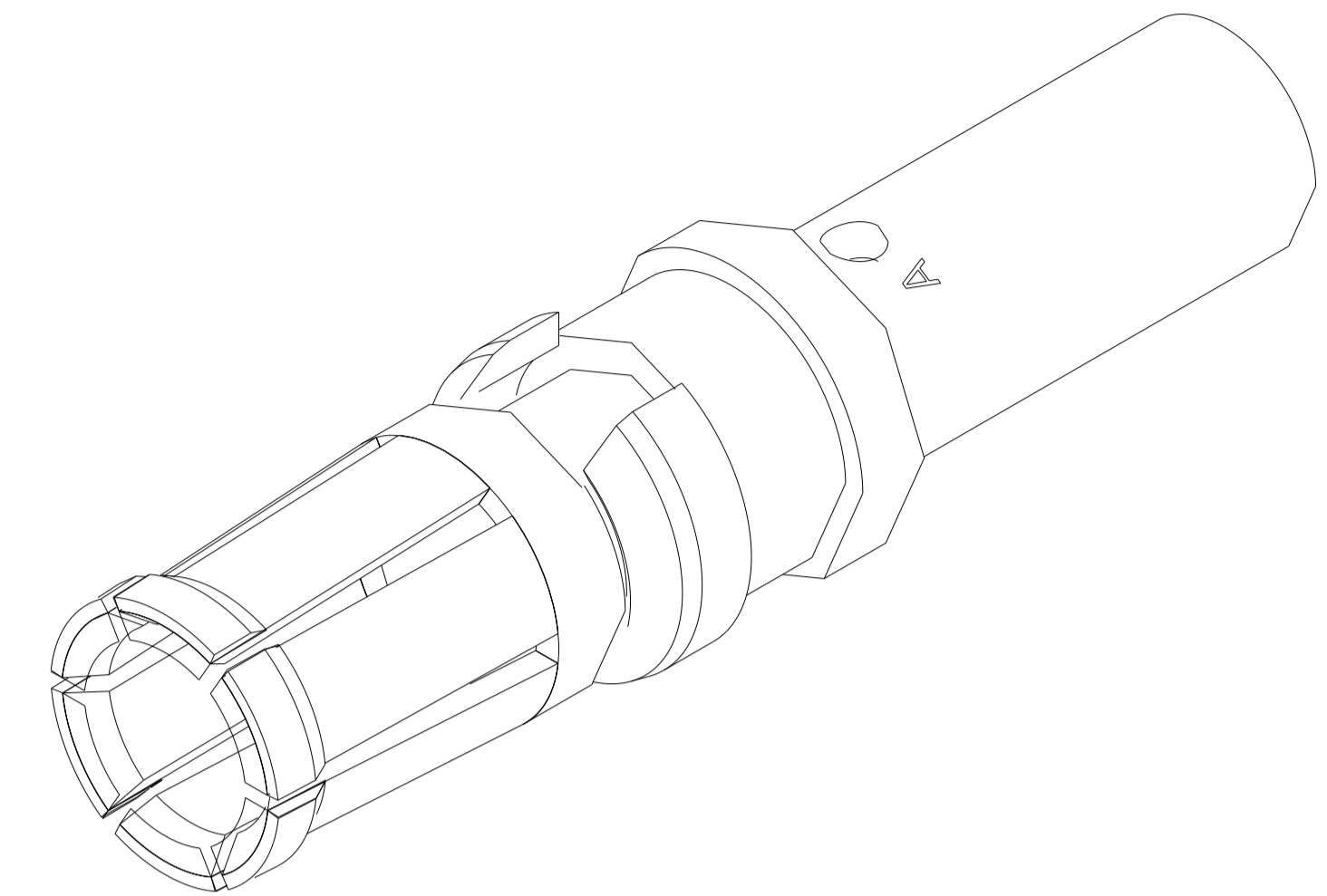


REVISIONS				
P	LTN	DESCRIPTION	DATE	APVD
K		ECN-23-227215; DRW REG W/CREO	08AUG2023	DR JHW



- NOTES:
- MATES WITH TEC P/N 212007-1 IN AMPLIMITE CONNECTOR ASSEMBLIES ONLY
  - APPROVED CRIMP TOOLING: DANIELS CRIMP TOOL P/N M300-BT, DANIELS POSITIONER P/N SP689, STRIP LENGTH = .375 [9.53], #12 AWG SETTING 1, #14 AWG SETTING 1. NOTE: USE OF ANY UNAPPROVED TOOLING WILL RESULT IN CRIMPED TERMINATIONS THAT ARE NOT QUALIFIED
  - WIRE BARREL ACCEPTS #12 -#14 AWG STRANDED WIRE
- △ RETENTION CLIP DIAMETER TO BE MEASURED WITH RING GAGE
5. FINISH:  
 CONTACT: GOLD PLATE .000050 [.00127] MIN THK PER ASTM-B-488 OVER NICKEL UNDERPLATE .000050 [.00127] MIN THK PER PER QQ-N-290  
 RETENTION CLIP: NICKEL PLATE .000050 [.00127] MIN THK PER PER QQ-N-290

△ RESTRICTED PART NUMBER

△ 1-212008-1  
 212008-1  
 PART NUMBER

THIS DRAWING IS A CONTROLLED DOCUMENT.		DWN: C.C. THOMAS 10NOV2000 CHK: D. MILLER 10NOV2000		
DIMENSIONS: IN [MM]	TOLERANCES UNLESS OTHERWISE SPECIFIED:	APVD: D. MILLER 10NOV2000	NAME: ASSEMBLY, SOCKET CONTACT POWER VIII, 12-14 AWG	
0 PLC ±	1 PLC ±	PRODUCT SPEC	SIZE: 108-10045	
2 PLC ±	3 PLC ±	APPLICATION SPEC	CAGE CODE: 114-10014	
4 PLC ±	ANGLES ±	FINISH	DRAWING NO: 00779	
MATERIAL: -	WEIGHT: -	CUSTOMER DRAWING	SCALE: 10.000	SHEET 1 OF 1
				REV: K