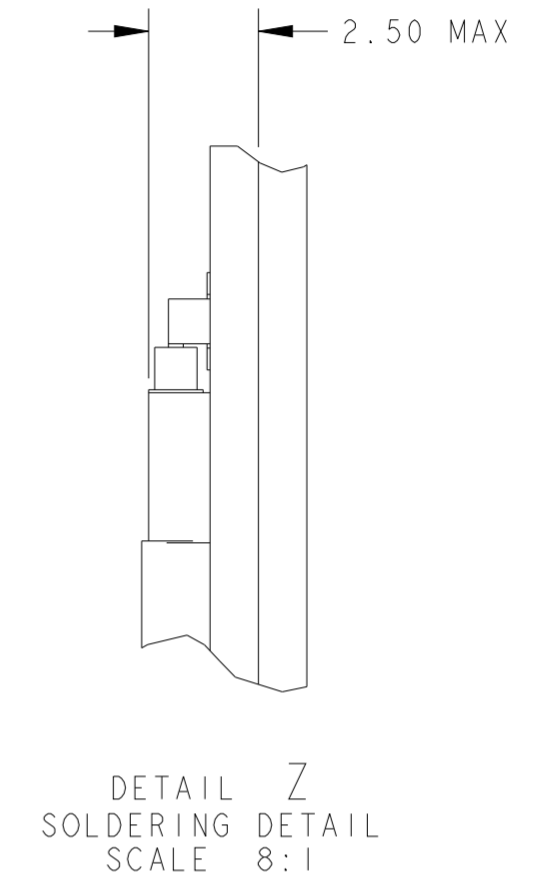
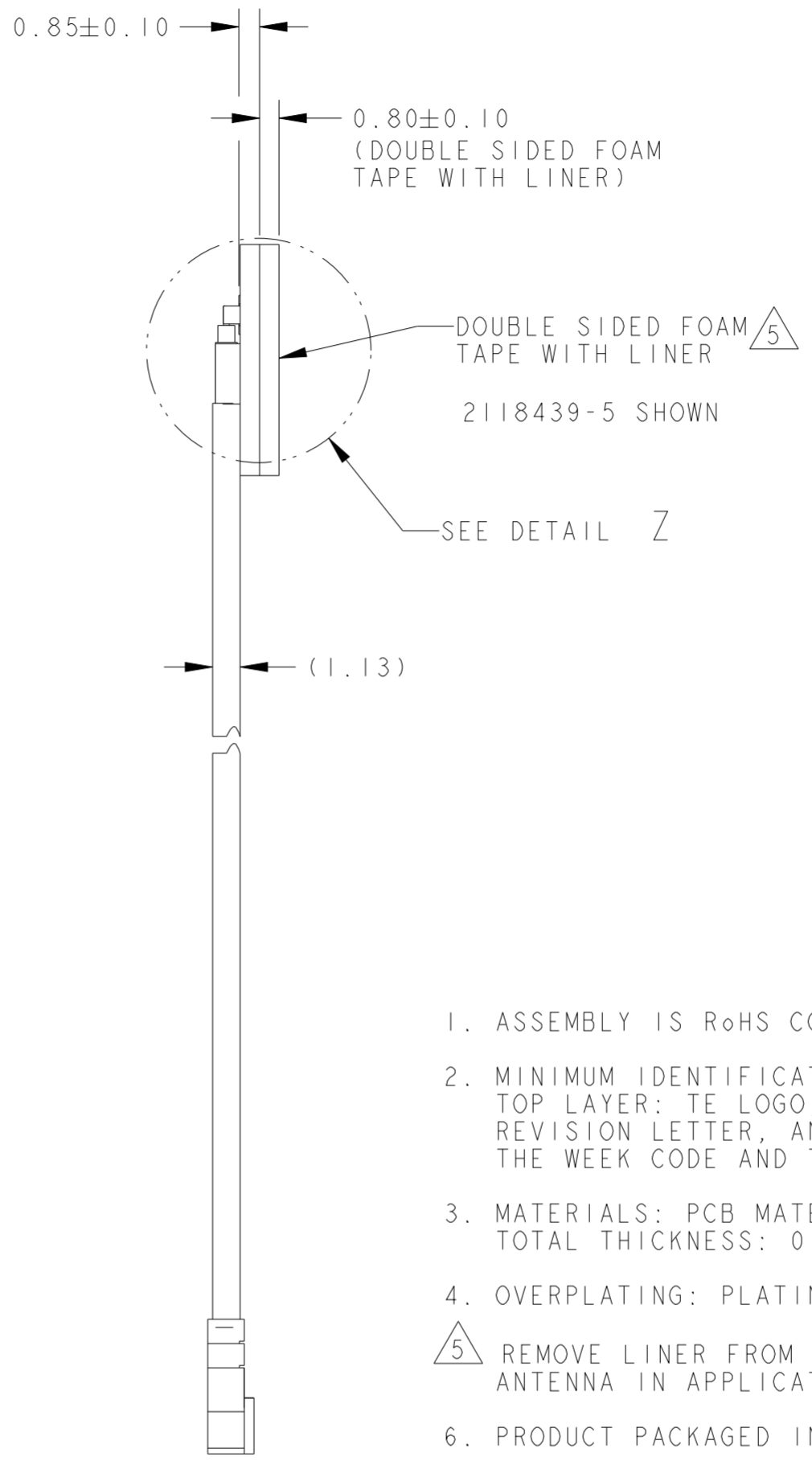
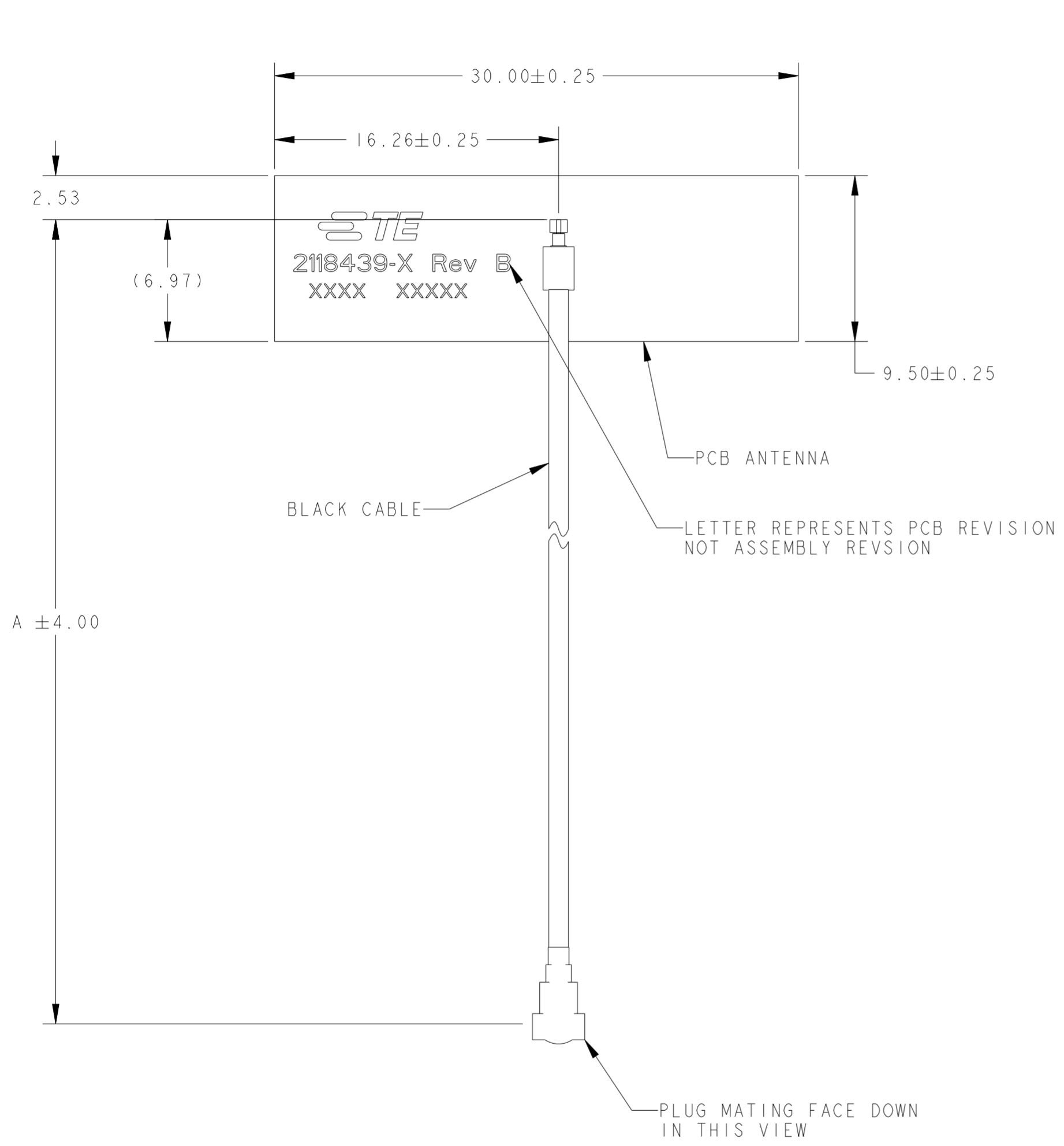


THIS DRAWING IS UNPUBLISHED. RELEASED FOR PUBLICATION 20
 © COPYRIGHT 20 BY TYCO ELECTRONICS CORPORATION ALL RIGHTS RESERVED.

LOC	DIST	REVISIONS					
		P	LTR	DESCRIPTION	DATE	DWN	APVD
00	AJ						
		A1		UPDATE CONNECTOR NOTE	15DEC2015	JPS	JLM
		B		REVISED PER ECO-16-018604	28DEC2016	AP	JM
		C1		REMOVE MCIS NOTE, ADD COAX INFO IN BOM	07MAR2017	JPS	JLM
		C2		REVISED PER ECN-23-199900	23FEB2023	SJ	JH



- ASSEMBLY IS RoHS COMPLIANT.
- MINIMUM IDENTIFICATION INCLUDES:
TOP LAYER: TE LOGO, TE ASSEMBLY BASE PART NUMBER, ASSEMBLY REVISION LETTER, AND FOUR DIGIT DATE CODE (FIRST 2 DIGITS FOR THE WEEK CODE AND THE 2ND TWO DIGITS FOR THE YEAR CODE).
- MATERIALS: PCB MATERIAL
TOTAL THICKNESS: 0.85 SINGLE SIDE, 1/2 OUNCE COPPER.
- OVERPLATING: PLATING ON EXPOSED COPPER AREAS TO BE E.N.I.G. FINISH.
- REMOVE LINER FROM DOUBLE SIDED FOAM TAPE 3M VHB 5608 TO APPLY ANTENNA IN APPLICATION.
- PRODUCT PACKAGED IN A BAG.

I-PEX	200.00	N	2118439-7
ECT	100.00	N	2118439-6
ECT	150.00	Y $\triangle 5$	2118439-5
ECT	300.00	N	2118439-4
ECT	160.00	N	2118439-3
ECT	310.00	N	2118439-2
ECT	250.00	N	2118439-1
COAX MFG	A	DOUBLE SIDED FOAM TAPE APPLIES	PART NUMBER

THIS DRAWING IS A CONTROLLED DOCUMENT.

DWN	K. FOLTZ	18MAR2014
CHK	J. MOORE	18MAR2014
APVD	J. MOORE	18MAR2014

TE Connectivity

PCB ANTENNA ASSEMBLY, WITH MHF CONNECTOR

SIZE	CAGE CODE	DRAWING NO	RESTRICTED TO
A2	00779	C-2118439	-

SCALE 4:1 SHEET 1 OF 1 REV C2