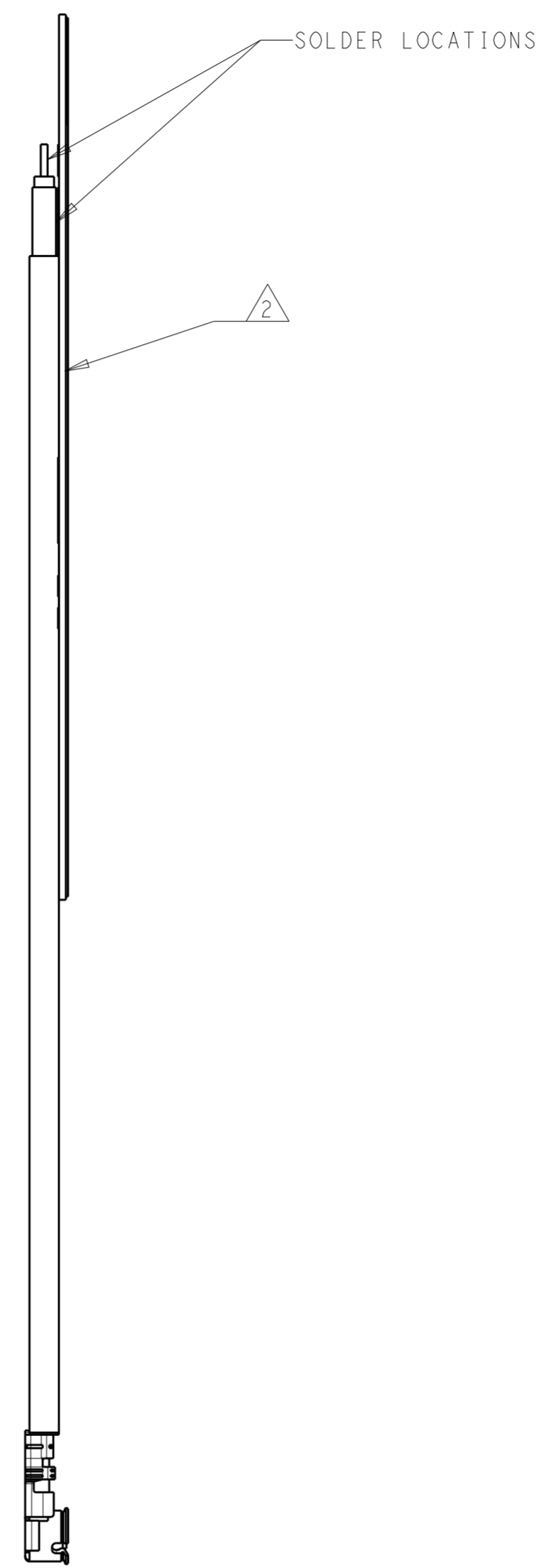
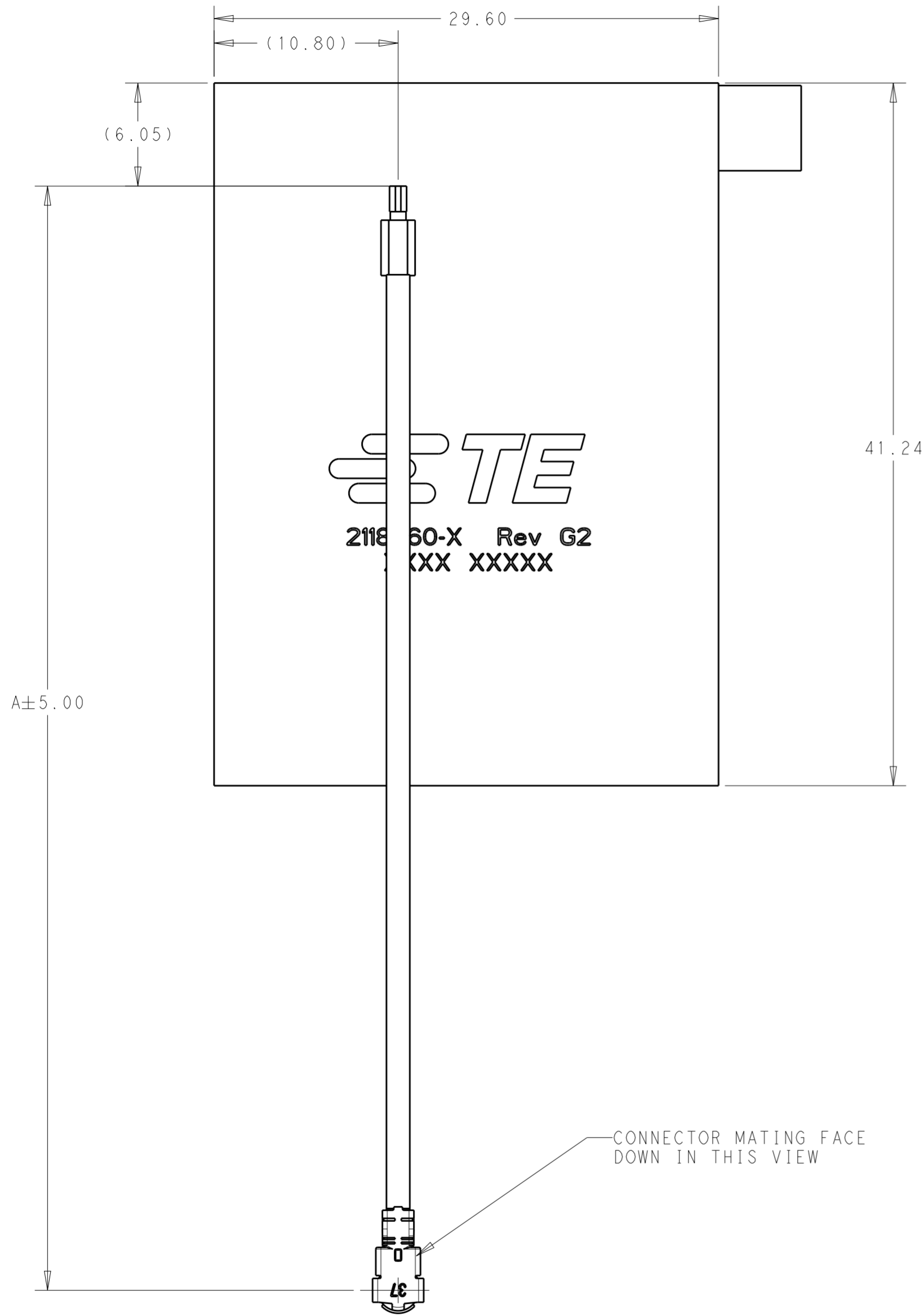


THIS DRAWING IS UNPUBLISHED. RELEASED FOR PUBLICATION
 © COPYRIGHT copyright.d8te- ALL RIGHTS RESERVED.

REVISIONS				
P	LTR	DESCRIPTION	DATE	APVD
E		REVISED PER ECO-17-005828	24APR2017	JPS JLM
F		REVISED PER ECO-17-013859	20SEP2017	CR JLM
G2		REVISED PER ECO-19-003701	07MAR2019	SJ JH
G3		REVISED PER ECO-20-008382	16JUN2020	SJ JH



- NOTES: UNLESS OTHERWISE SPECIFIED.
1. MATERIAL: FR4, 1 OZ. COPPER.
 2. REMOVE LINER FROM BACK OF ADHESIVE TO APPLY.
 3. REFERENCE TE DATA SHEET DS2118060-1 FOR ANTENNA SPECS.
 4. PRODUCT AND PROCESSING MEETS REQUIREMENTS OF TE CONNECTIVITY ENVIRONMENTAL STANDARD TEC-138-702.
 5. GENERAL TOLERANCES : ±0.2.

CONNECTOR MATING FACE DOWN IN THIS VIEW

80.00	2118060-3
350.00	2118060-1
A	PART NUMBER

THIS DRAWING IS A CONTROLLED DOCUMENT.		DWN J. SCHOLZ 09NOV2016		
DIMENSIONS: mm		CHK J. SCHOLZ 09NOV2016		
TOLERANCES UNLESS OTHERWISE SPECIFIED:		APVD J. MOORE 09NOV2016		
0 PLC ±-	1 PLC ±-	PRODUCT SPEC	NAME FPC ANTENNA CABLE ASSEMBLY	
2 PLC ±0.2	3 PLC ±-	APPLICATION SPEC	WLAN, 1.37 DIA, MHF	
4 PLC ±-	ANGLES ±-	WEIGHT	SIZE A2	CAGE CODE G-2118060
MATERIAL	FINISH	CUSTOMER DRAWING	SCALE 4:1	SHEET 1 OF 1
				REV G3