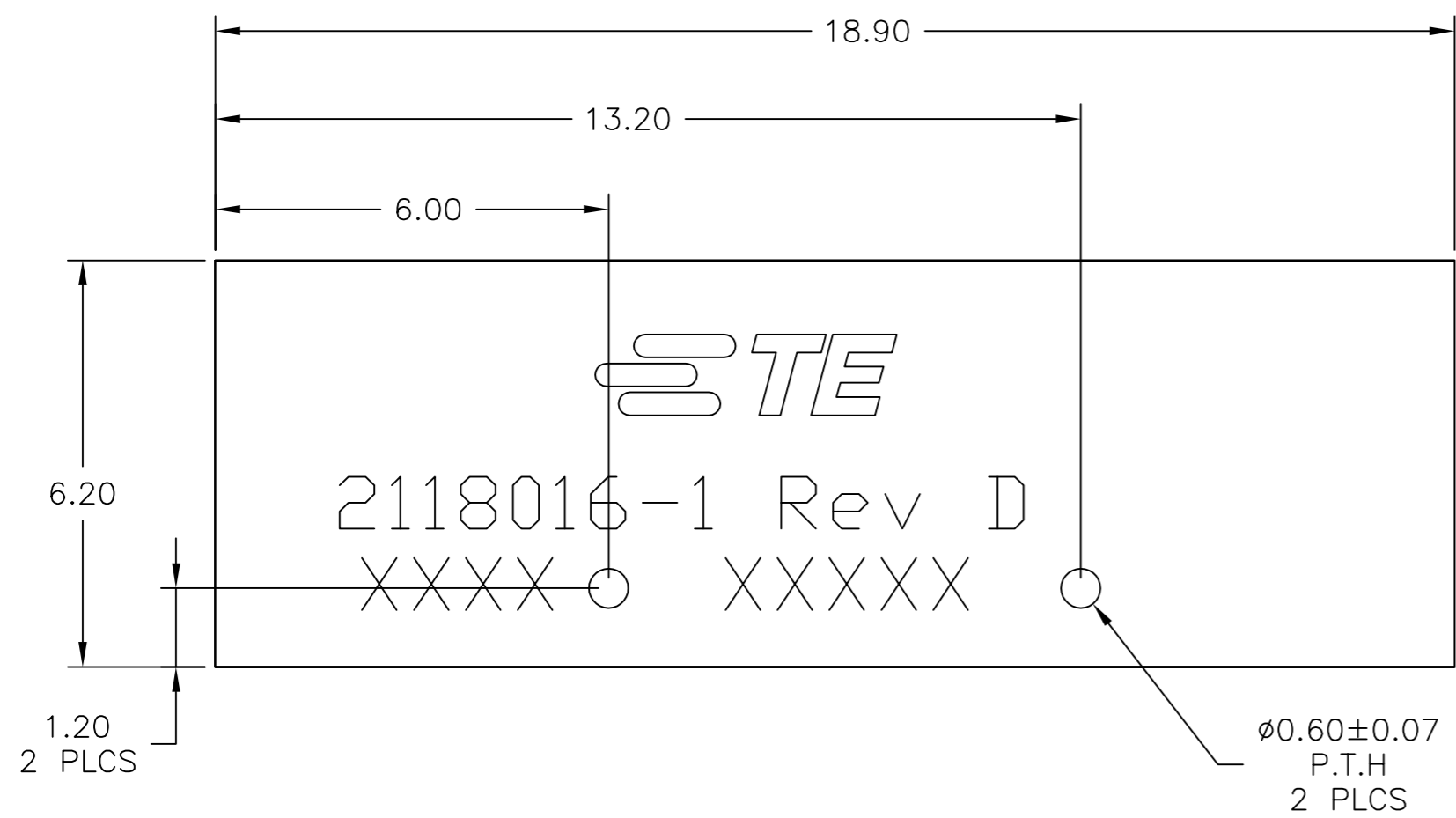
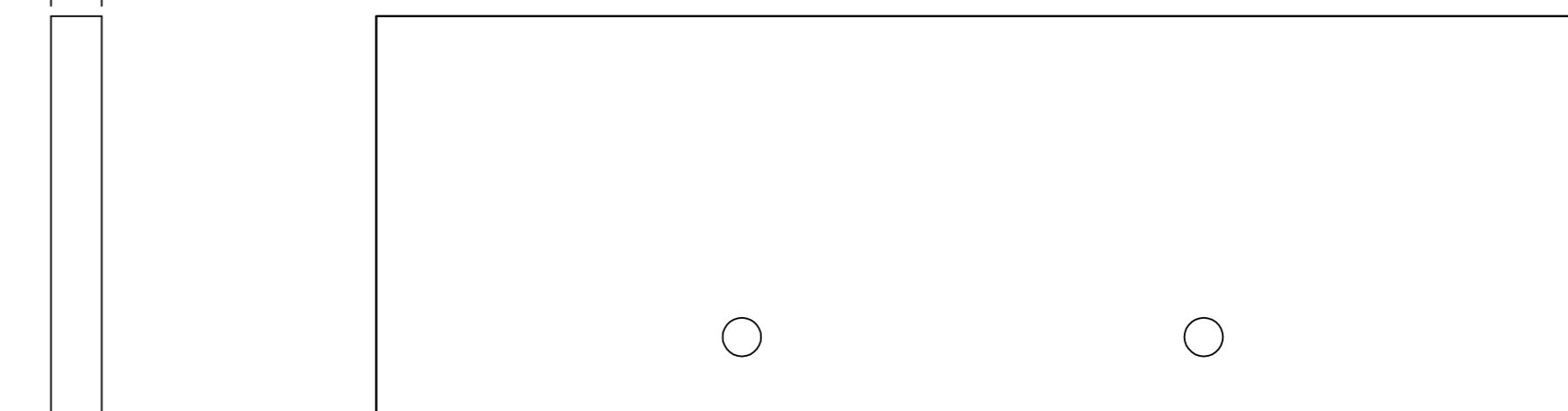


THIS DRAWING IS UNPUBLISHED. RELEASED FOR PUBLICATION  
 © COPYRIGHT - By - ALL RIGHTS RESERVED.

LOC		DIST		REVISIONS			
P	LTR	DESCRIPTION	DATE	DWN	APVD		
AJ	00						
	D	REVISED PER ECO-17-016886	08NOV2017	AP	JM		



0.79±0.13  
OVERALL THICKNESS



2118016-1 AS SHOWN  
PRIMARY SIDE

NOTES: UNLESS OTHERWISE SPECIFIED.

1. FABRICATE TO MEET IPC - 6012, CLASS 2.  
INSPECT TO MEET IPC - A - 600, CLASS 2.

2. PRIMARY AND SECONDARY SIDES SHOWN

3 MATERIAL: GETEK 4 PLY (7628) 0.71 THK.  
GRADE ML200D 1/2 OZ. COPPER BOTH SIDES.  
DIELECTRIC CONSTANT @ 1MHZ 4.2±0.1.

4. FINISH:

- A: PLATING: 1/2 Oz COPPER
- B: SOLDERMASK OVER BARE COPPER (SMOBC).
- C: MASK BOTH SIDES OF PCB WITH LPI SOLDERMASK.  
SOLDERMASK COLOR: NATURAL GREEN.
- D: (ENIG) ELECTROLESS NICKEL IMMERSION GOLD FINISH  
0.05 μm MIN GOLD (2μin) OVER 3μm MIN. NICKEL  
(118μin)

5. TWO PLACE TOLERANCES: ±0.23

6 PACKAGING: SINGULATED PARTS TO BE VACUUM PACKED  
IN BULK.

7 PACKAGING: EMBOSSED TAPE, P/N 1533393-5, SEE  
TAPE AND REEL VIEWS ON SHEET 2.

8. PARTS ARE COMPLIANT TO ROHS STANDARDS PER TE  
CONNECTIVITY STANDARD TEC-138-702.

7	2118016-1	2118016-2
6	3	2118016-1
PACKAGING	MATERIAL	PART NUMBER

THIS DRAWING IS A CONTROLLED DOCUMENT.		DWN D.WALLACE CHK -	17MAR2010	TE Connectivity	
DIMENSIONS: mm		APVD G.GRIFFITH PRODUCT SPEC	17MAR2010		
		TOLERANCES UNLESS OTHERWISE SPECIFIED:		APPLICATION SPEC	
MATERIAL		FINISH		WEIGHT	RESTRICTED TO
-		-		A2 00779	SCALE 10:1
CUSTOMER DRAWING				DRAWING NO C=2118016	SHEET 1 of 2
				REV D	

4

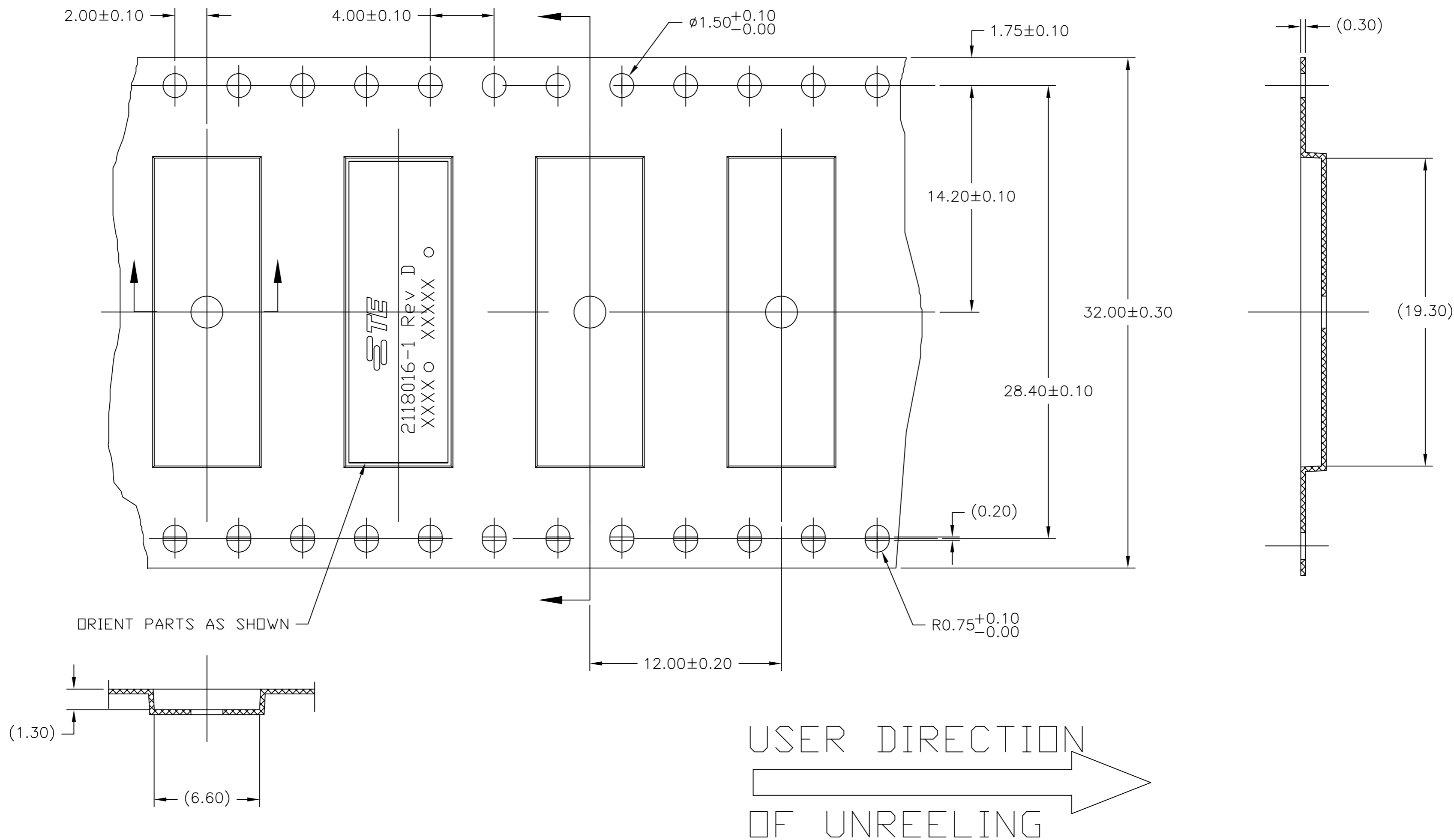
3

2

1

THIS DRAWING IS UNPUBLISHED. RELEASED FOR PUBLICATION  
 © COPYRIGHT - By - ALL RIGHTS RESERVED.

LOC	DIST	REVISIONS					
AJ	00	P	LTR	DESCRIPTION	DATE	DWN	APVD
		-		SEE SHEET 1	-	-	-



2118016-2 SHOWN  
SCALE 5:1

THIS DRAWING IS A CONTROLLED DOCUMENT.		DWN D.WALLACE	17MAR2010	TE Connectivity	
DIMENSIONS: mm		CHK -	-		
TOLERANCES UNLESS OTHERWISE SPECIFIED:		APVD G.GRIFFITH	17MAR2010	NAME WLAN WLAN DUAL BAND	
0 PLC ± - 1 PLC ± - 2 PLC ± - 3 PLC ± - 4 PLC ± - ANGLES ± ± FINISH -		PRODUCT SPEC -		RESTRICTED TO -	
MATERIAL -		APPLICATION SPEC -		SIZE A2	CAGE CODE 00779
		WEIGHT -		DRAWING NO C=2118016	SCALE 10:1
		CUSTOMER DRAWING		SHEET 2 of 2	REV D

2118016