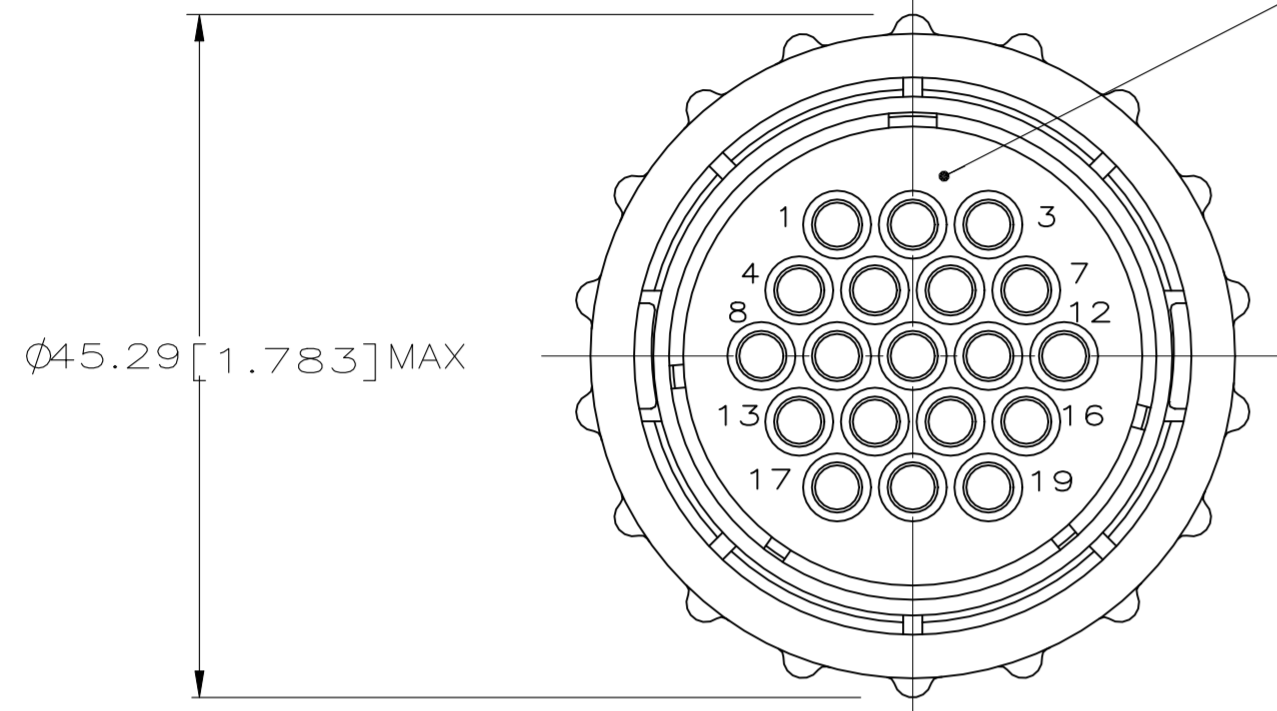


REVISIONS					
P	LTR	DESCRIPTION	DATE	DWN	APVD
F1		REVISED PER ECN-23-199892	01MAR2023	RK	MZ

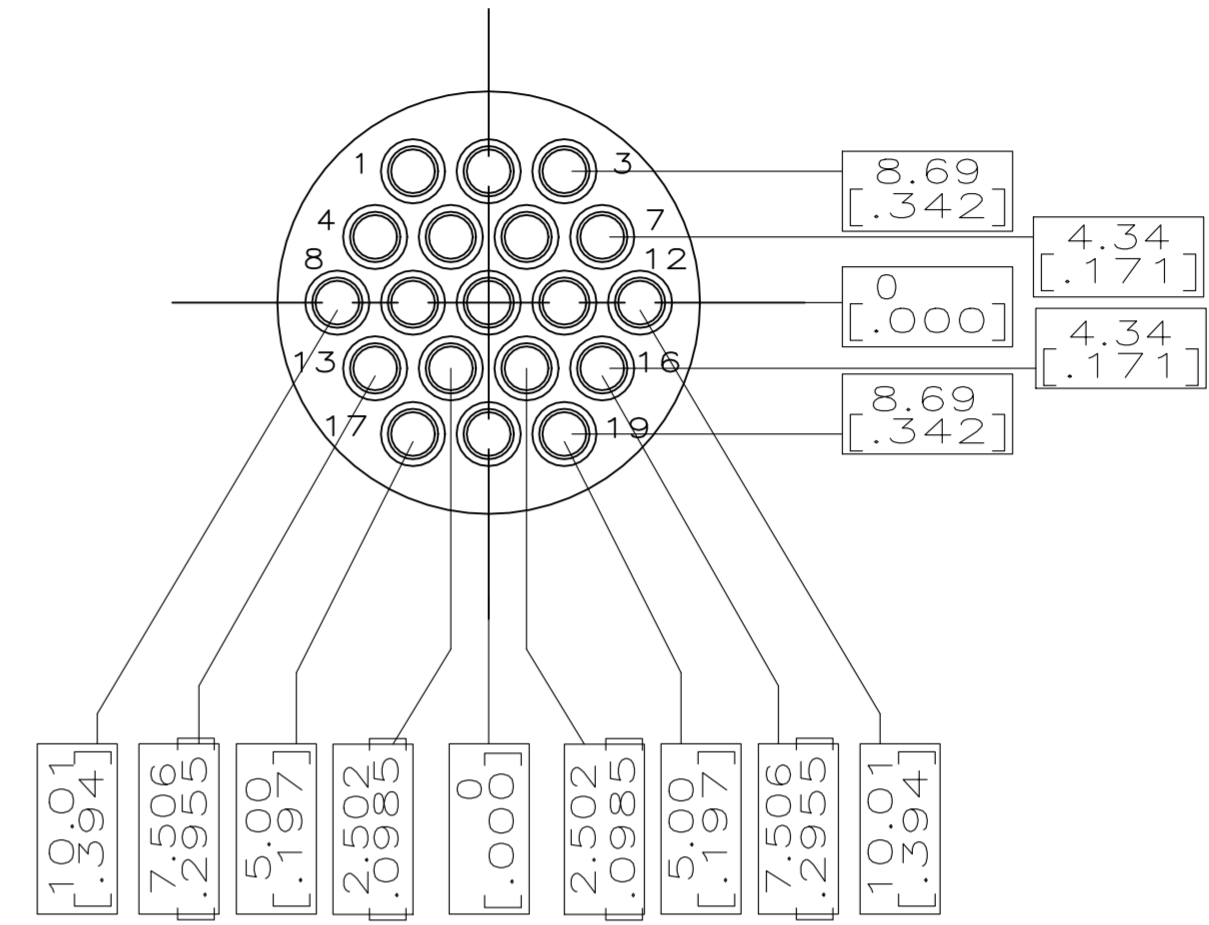
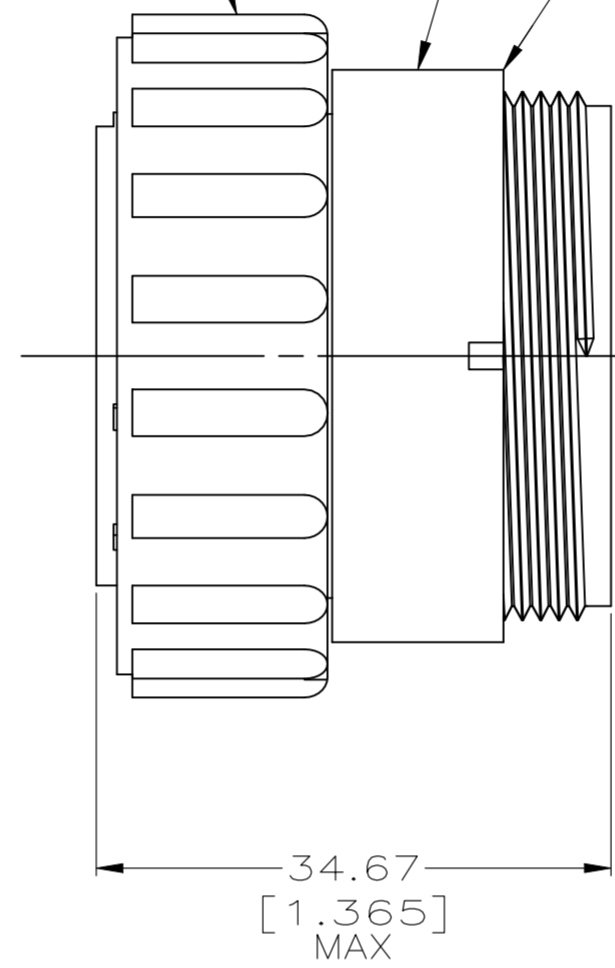


(-1 & -4 ONLY)

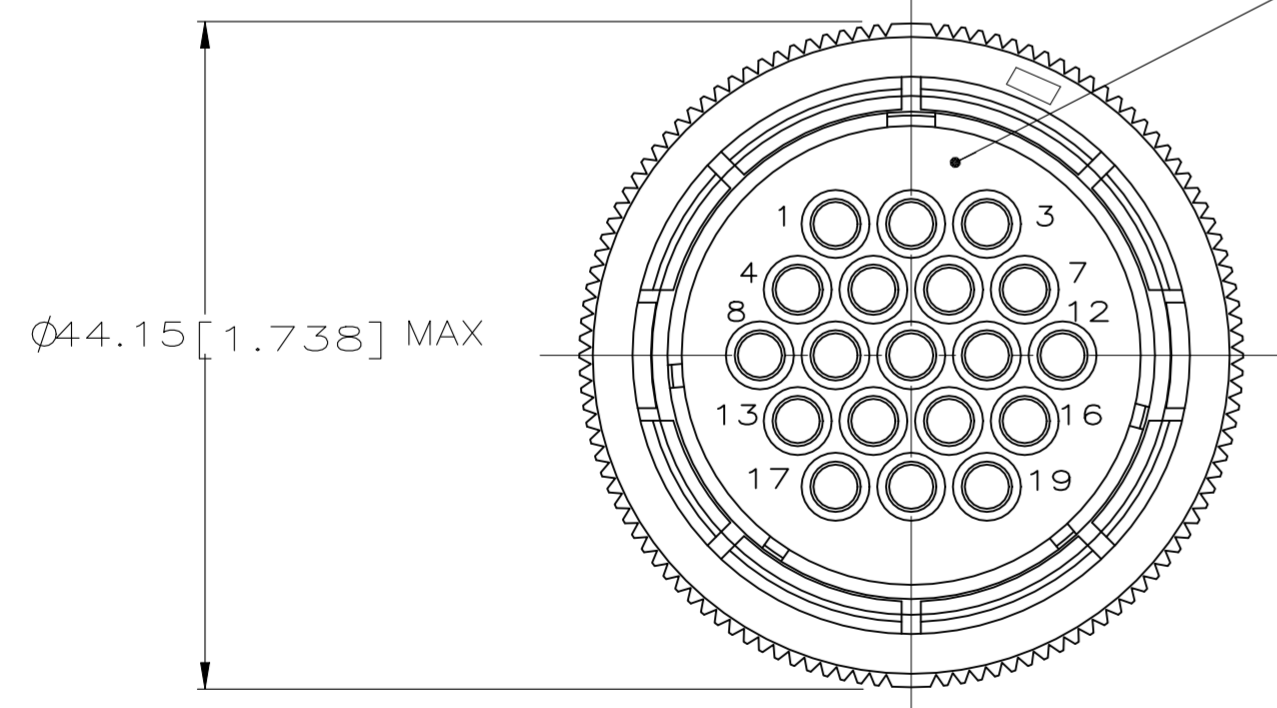
COUPLING RING MATERIAL: SEE TABLE

AMP & MEXICO located on this surface

PLUG HOUSING MATERIAL: SEE TABLE



MATING FACE CONFIGURATION

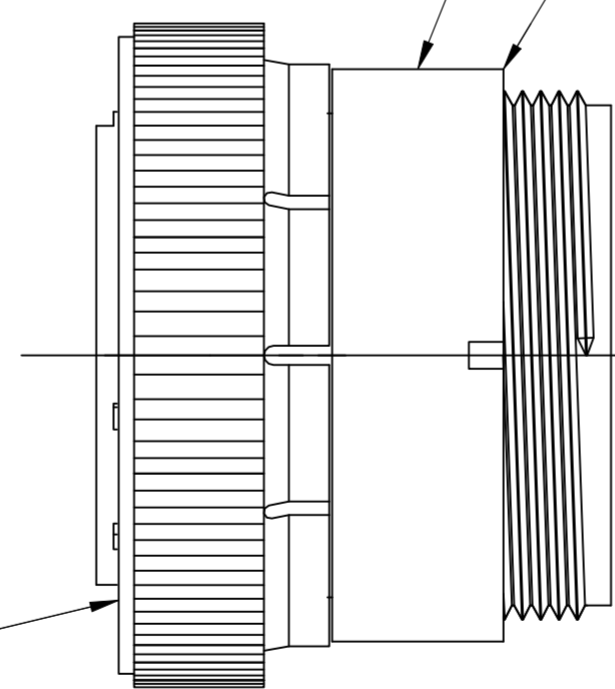


(-3 ONLY)

COUPLING RING MATERIAL: SEE TABLE

AMP & MEXICO located on this surface

PLUG HOUSING MATERIAL: SEE TABLE



OBSOLETE	POLYESTER, BLACK	POLYESTER, BLACK	211772-5
		DIE CAST ZINC	211772-4
	PA66, BLACK	POLYESTER, BLACK	211772-3
		POLYESTER, BLACK	211772-1
	PLUG HOUSING MATERIAL	COUPLING RING MATERIAL	PART NUMBER

- CONTACT CAVITIES IDENTIFIED BY CHARACTERS ON FRONT AND REAR FACES OF CONNECTOR.
- THIS PART WILL ACCEPT 19 MULTIMATE PIN CONTACTS.
- NORMAL KEYING.

THIS DRAWING IS A CONTROLLED DOCUMENT.		DWN S. RIDGLEY BG 31 JUL 90		
DIMENSIONS: mm [INCHES]		CHK R. STONE 26 APR 91		
TOLERANCES UNLESS OTHERWISE SPECIFIED:		APVD K. BEAVER 03 APR 91	NAME	
0 PLC ± -		PRODUCT SPEC 108-10024	PLUG ASSEMBLY, SHELL SIZE 23, REVERSE SEX, SPECIAL VDE, CPC	
1 PLC ± -		APPLICATION SPEC	SIZE A2	CAGE CODE 00779
2 PLC ± -			DRAWING NO C=211772	RESTRICTED TO
3 PLC ± -			SCALE 2:1	SHEET 1 OF 1
4 PLC ± -			REV F1	
ANGLES ± -				
FINISH		WEIGHT -		
MATERIAL		CUSTOMER DRAWING		