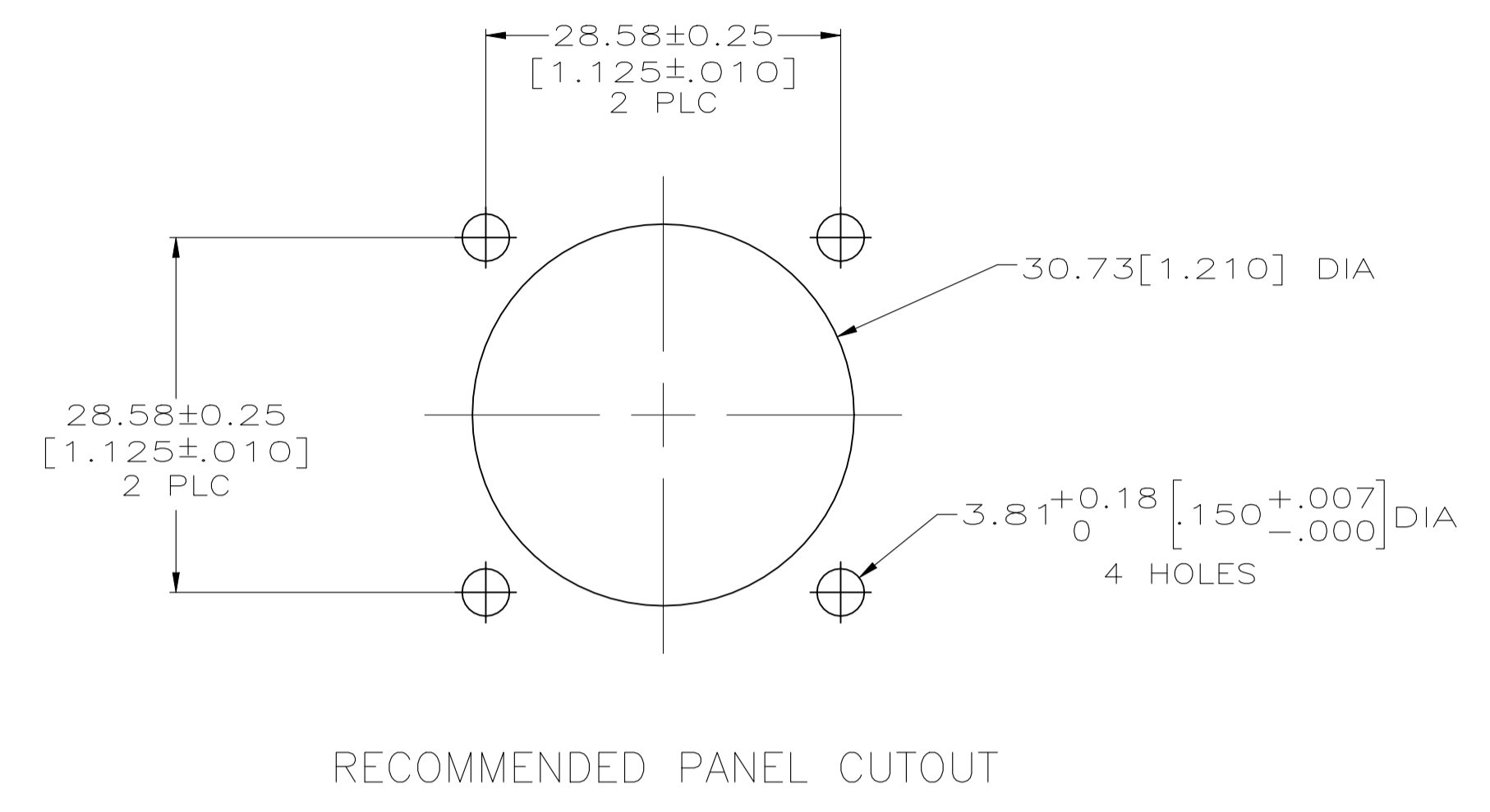
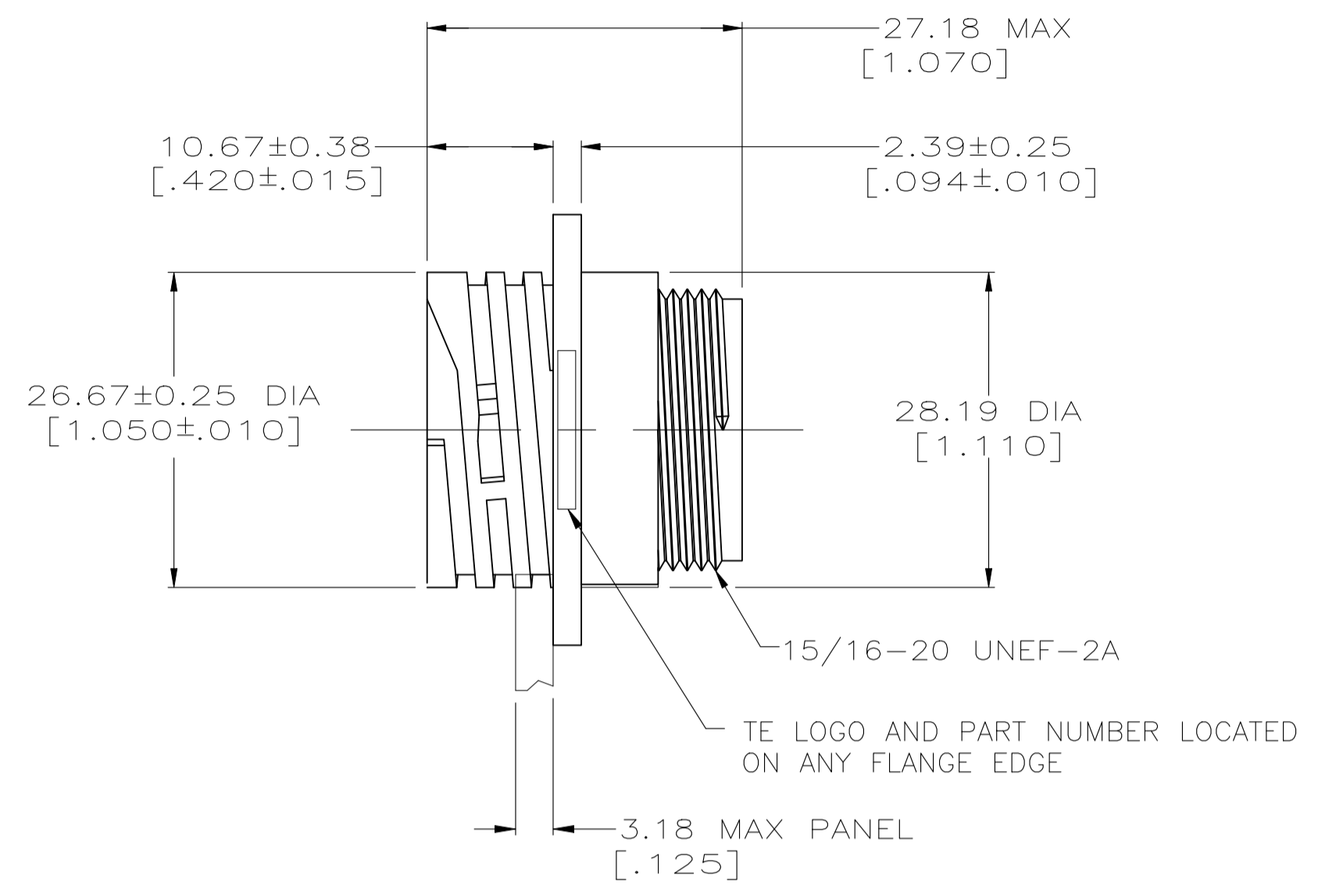
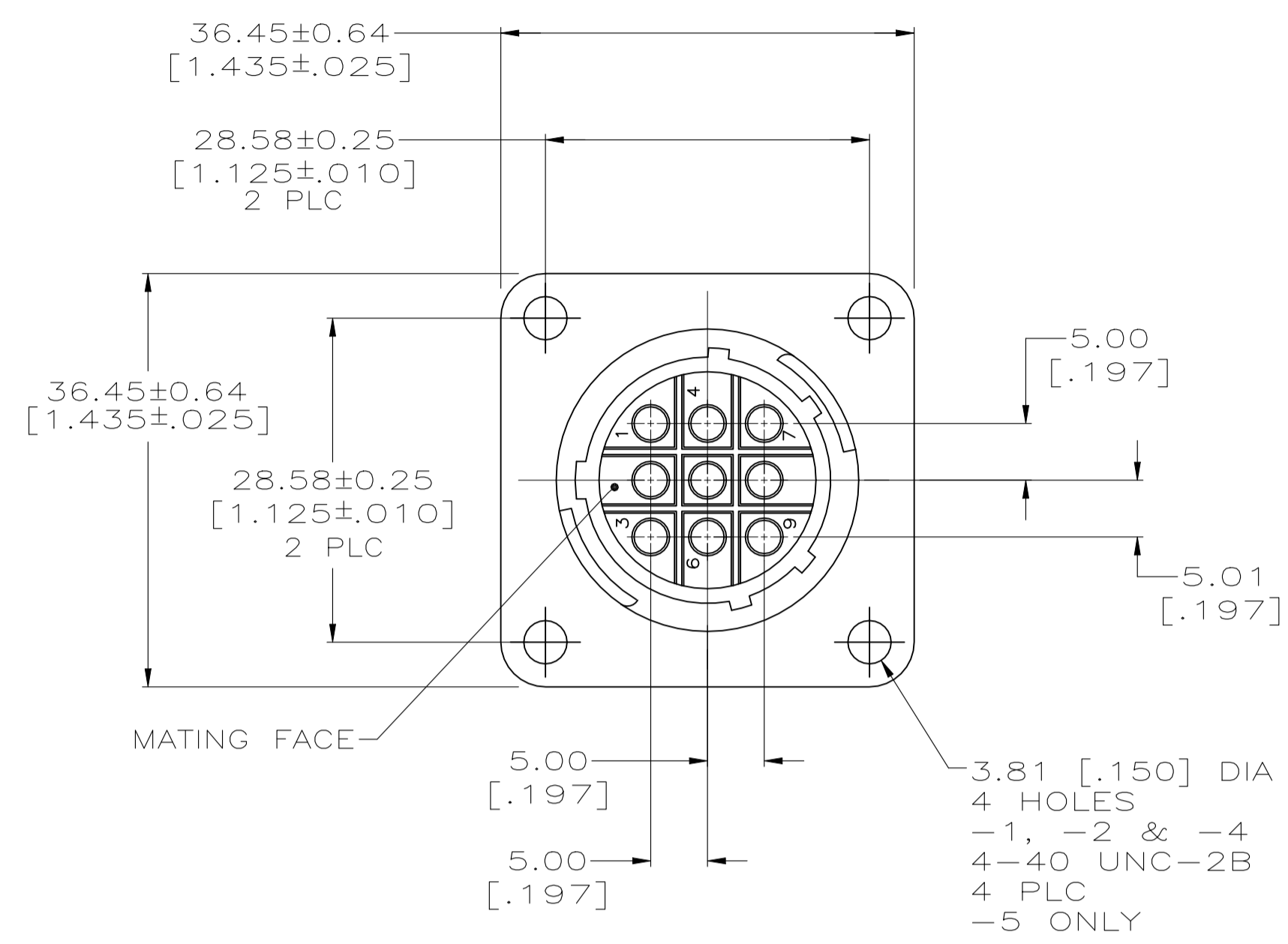
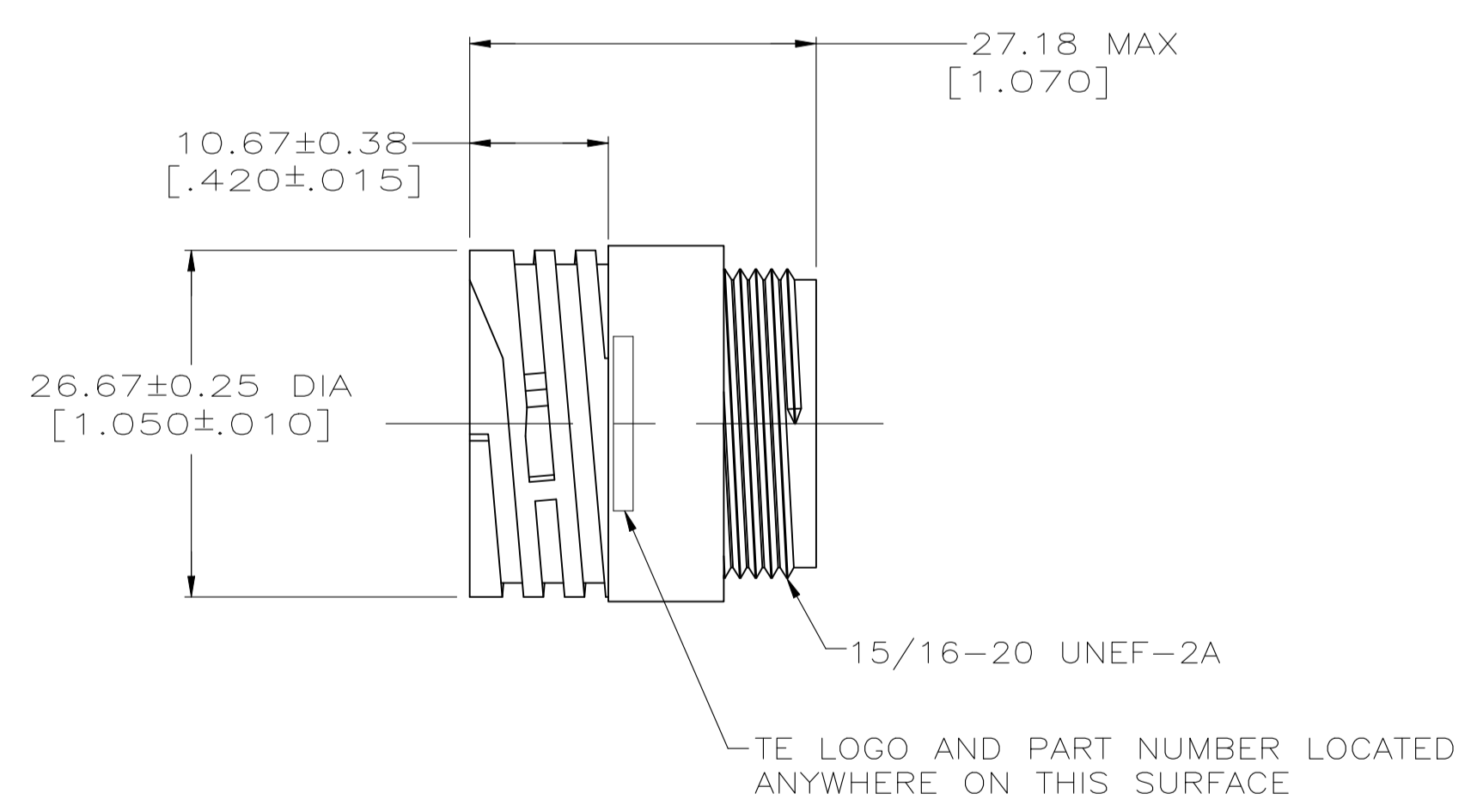
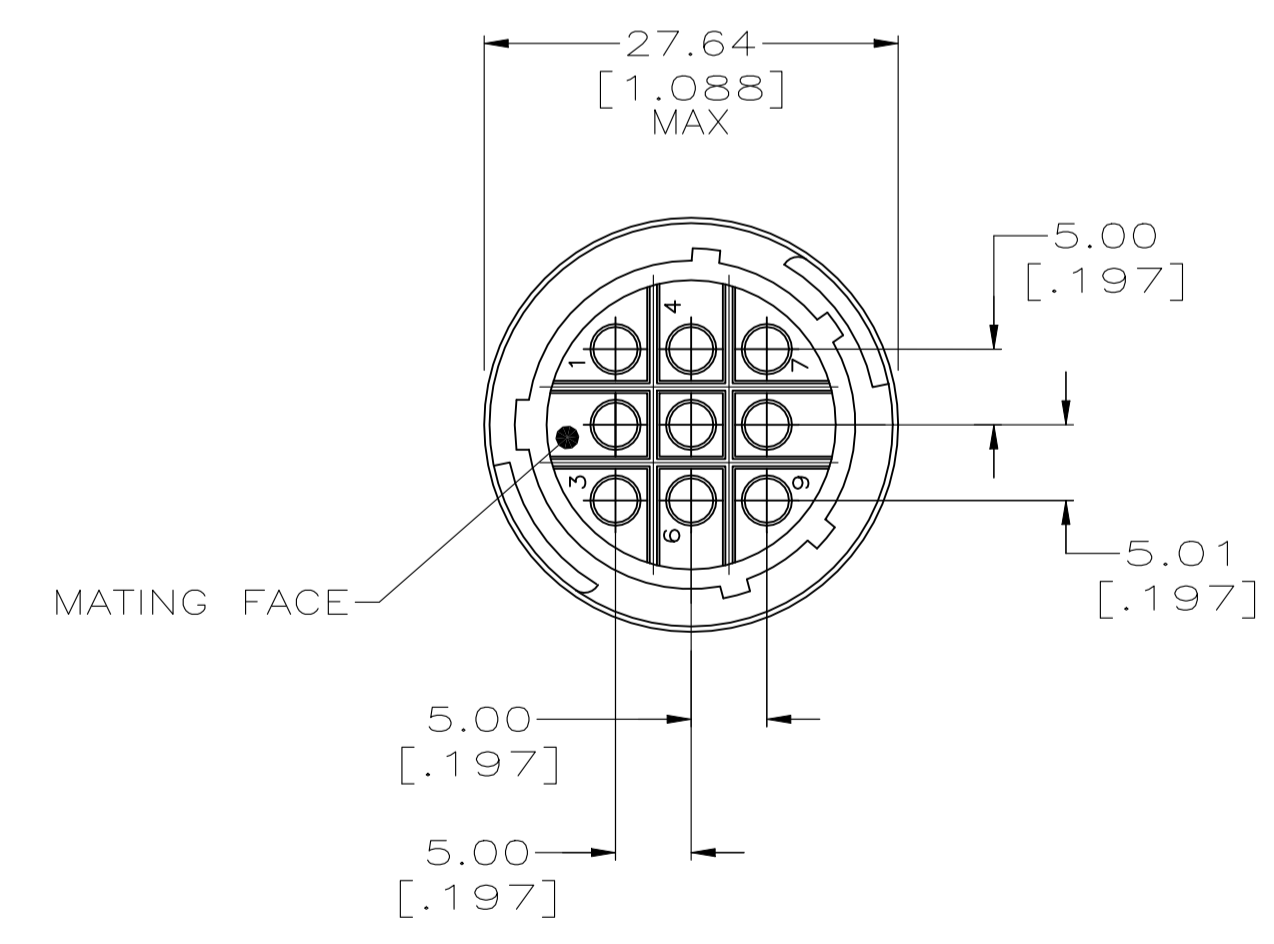


REVISIONS				
P	LTR	DESCRIPTION	DATE	APP'D
J		REVISED PER ECO-21-006945	28OCT2021	RK MZ



211769-1, -2, -4 & -5



211769-3

1. CAVITY IDENTIFICATION ON FRONT AND REAR FACE.
 2. WILL ACCEPT NINE (9) MULTIMATE SOCKET CONTACTS.
- △ 3.81[.150] MAXIMUM INSULATION DIAMETER.
 - △ 2.54[.100] MAXIMUM INSULATION DIAMETER.

YES	FLANGE	211769-5
NO	FLANGE	211769-4
NO	FREE HANGING	211769-3
NO	FLANGE	211769-2
NO	FLANGE	211769-1
THREADED INSERTS	MOUNTING	PART NUMBER

THIS DRAWING IS A CONTROLLED DOCUMENT.

DIMENSIONS:	TOLERANCES UNLESS OTHERWISE SPECIFIED:	DIN	D. BROCKWAY	09-24-94
mm [INCHES]	0. PLC ± -	CIK	R. STONE	09-30-94
	1. PLC ± -	APVD	A. FRANTUM	10-03-94
	2. PLC ± 0.13 [.005]	NAME	RECEPTACLE HOUSING, REVERSE SEX, SHELL SIZE 17, CPC	
	3. PLC ± -	APPLICATION SPEC	SIZE	CAGE CODE
	4. PLC ± -	WEIGHT	A1	00779
	ANGLES ± -	CUSTOMER DRAWING	SCALE	2:1
MATERIAL	FINISH	RESTRICTED TO	SHEET	1 of 1
			REV	J

TE Connectivity