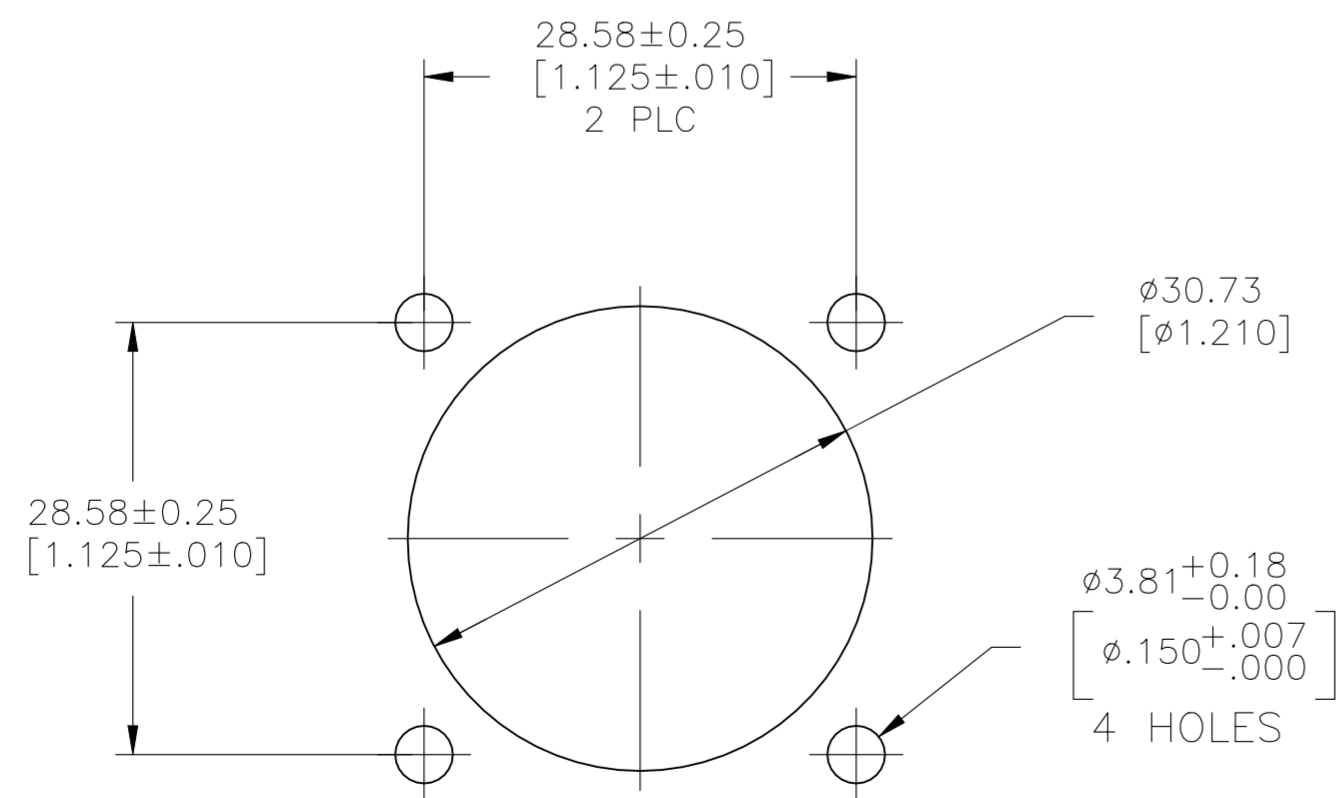
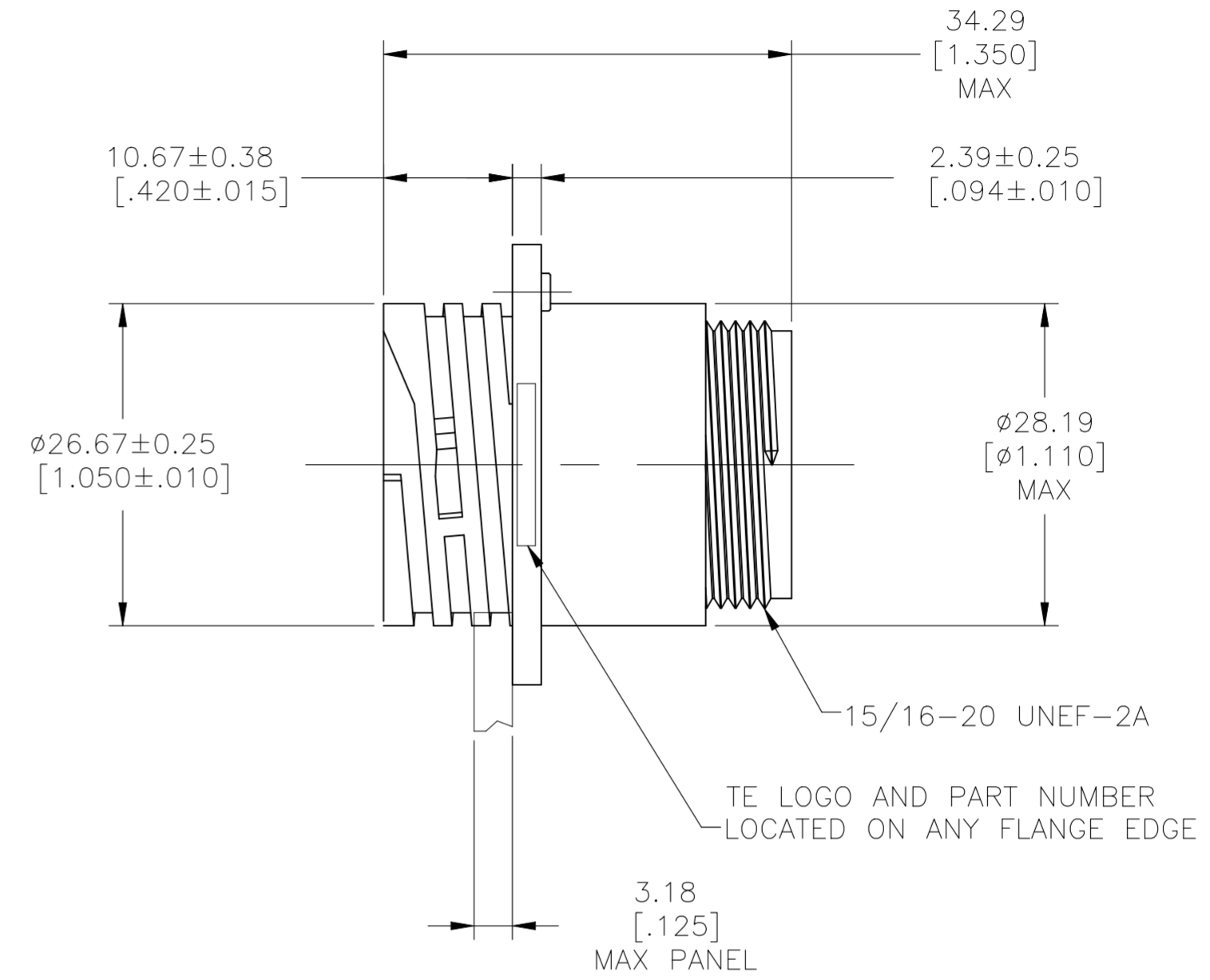
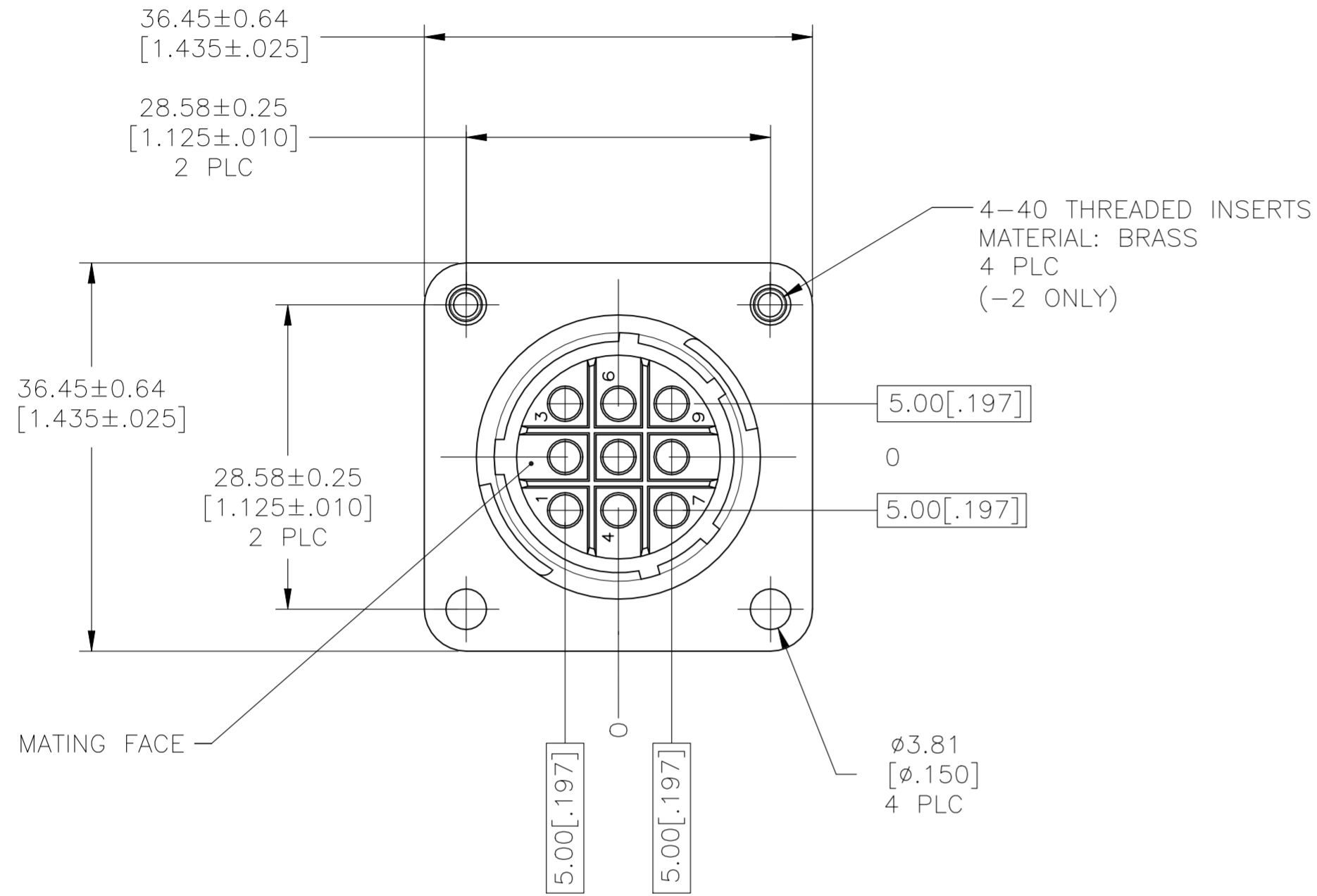


REVISIONS					
P	LTR	DESCRIPTION	DATE	DWN	APVD
F		REVISED PER ECO-21-006944	12OCT2021	RK	MZ



RECOMMENDED PANEL CUTOUT

- 1. HOUSING: NYLON, BLACK.
THREADED INSERTS: BRASS
- 2. CAVITY IDENTIFICATION ON FRONT AND REAR FACE.
- 3. WILL ACCEPT NINE (9) MULTIMATE PIN CONTACTS.

OBSELETE	YES	211767-3
	YES	211767-2
	NO	211767-1
	4-40 THREADED INSERTS	PART NUMBER

THIS DRAWING IS A CONTROLLED DOCUMENT.		DWN D.BROCKWAY 09-28-94																				
		CHK R.STONE 09-30-94																				
DIMENSIONS: mm [INCHES]		TOLERANCES UNLESS OTHERWISE SPECIFIED:		NAME																		
<table border="1"> <tr><td>0 PLC</td><td>±</td><td>-</td></tr> <tr><td>1 PLC</td><td>±</td><td>-</td></tr> <tr><td>2 PLC</td><td>±</td><td>0.13 [.005]</td></tr> <tr><td>3 PLC</td><td>±</td><td>-</td></tr> <tr><td>4 PLC</td><td>±</td><td>-</td></tr> <tr><td>ANGLES</td><td>±</td><td>-</td></tr> </table>		0 PLC	±	-	1 PLC	±	-	2 PLC	±	0.13 [.005]	3 PLC	±	-	4 PLC	±	-	ANGLES	±	-	PRODUCT SPEC		RCPT HSG, STD SEX, VDE, SHELL SIZE 17, CPC
0 PLC	±	-																				
1 PLC	±	-																				
2 PLC	±	0.13 [.005]																				
3 PLC	±	-																				
4 PLC	±	-																				
ANGLES	±	-																				
MATERIAL		FINISH		SIZE																		
				CAGE CODE																		
				DRAWING NO																		
				RESTRICTED TO																		
				A2 00779 C=211767																		
				SCALE 2:1 SHEET 1 OF 1 REV F																		
				CUSTOMER DRAWING																		